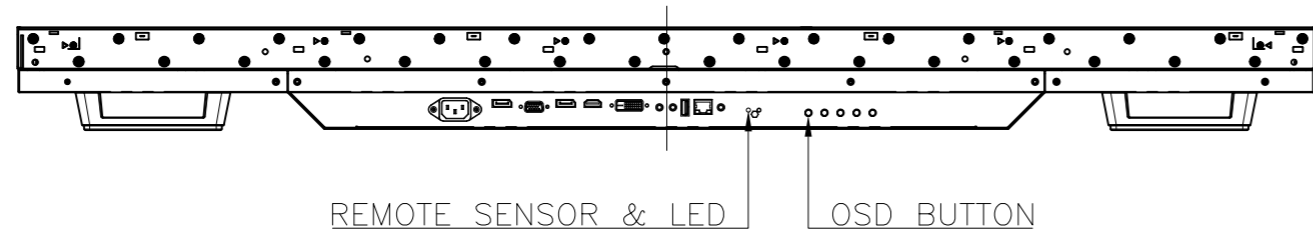
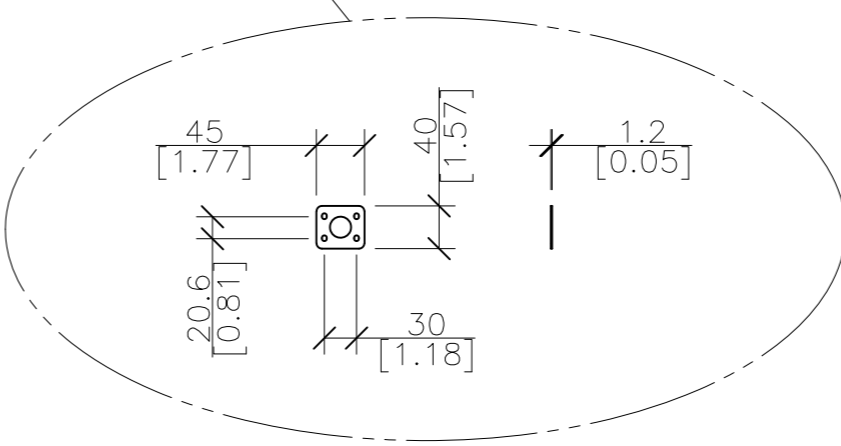
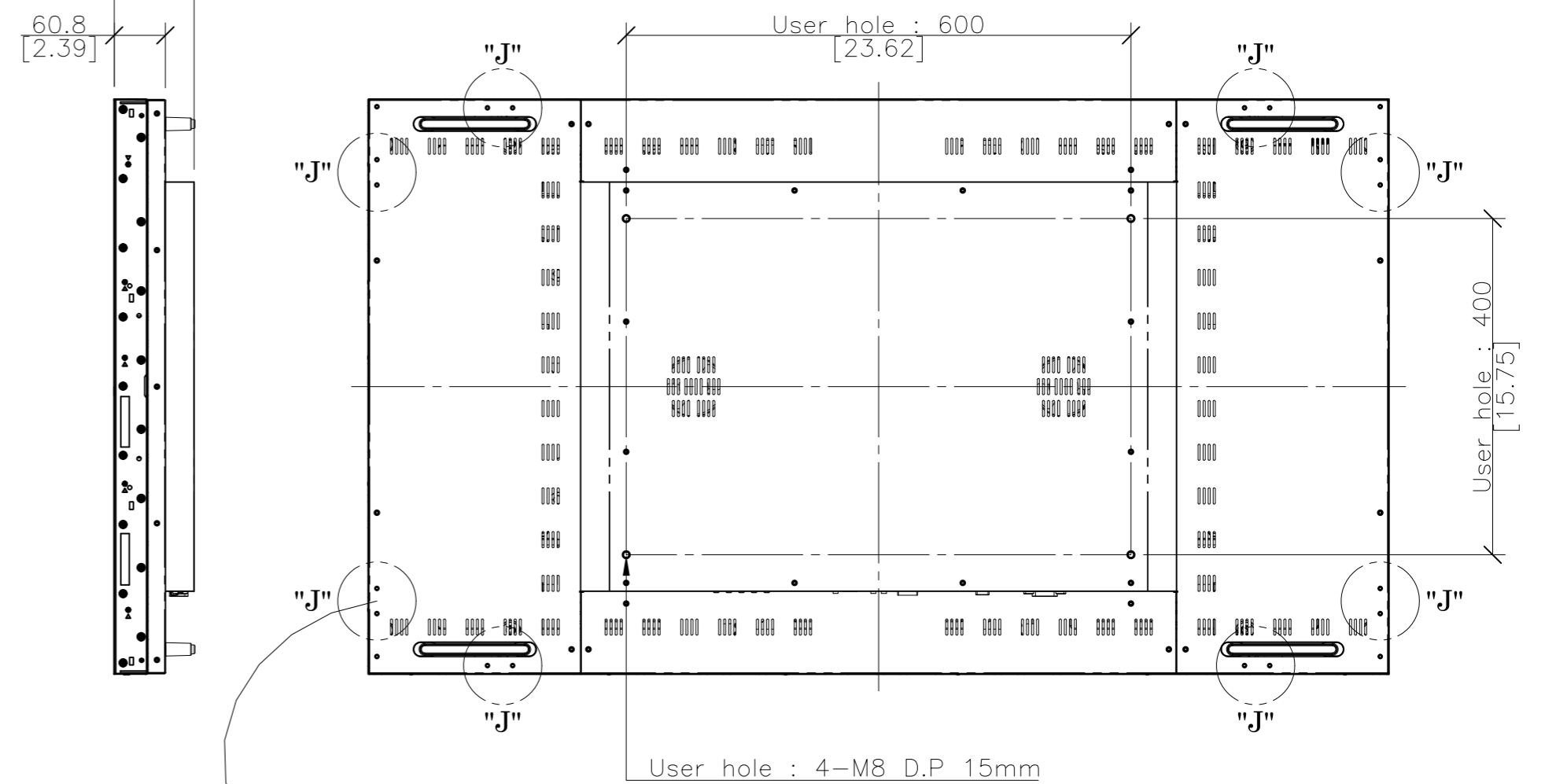
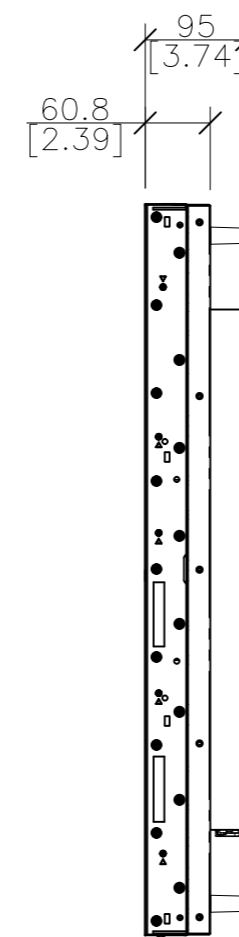
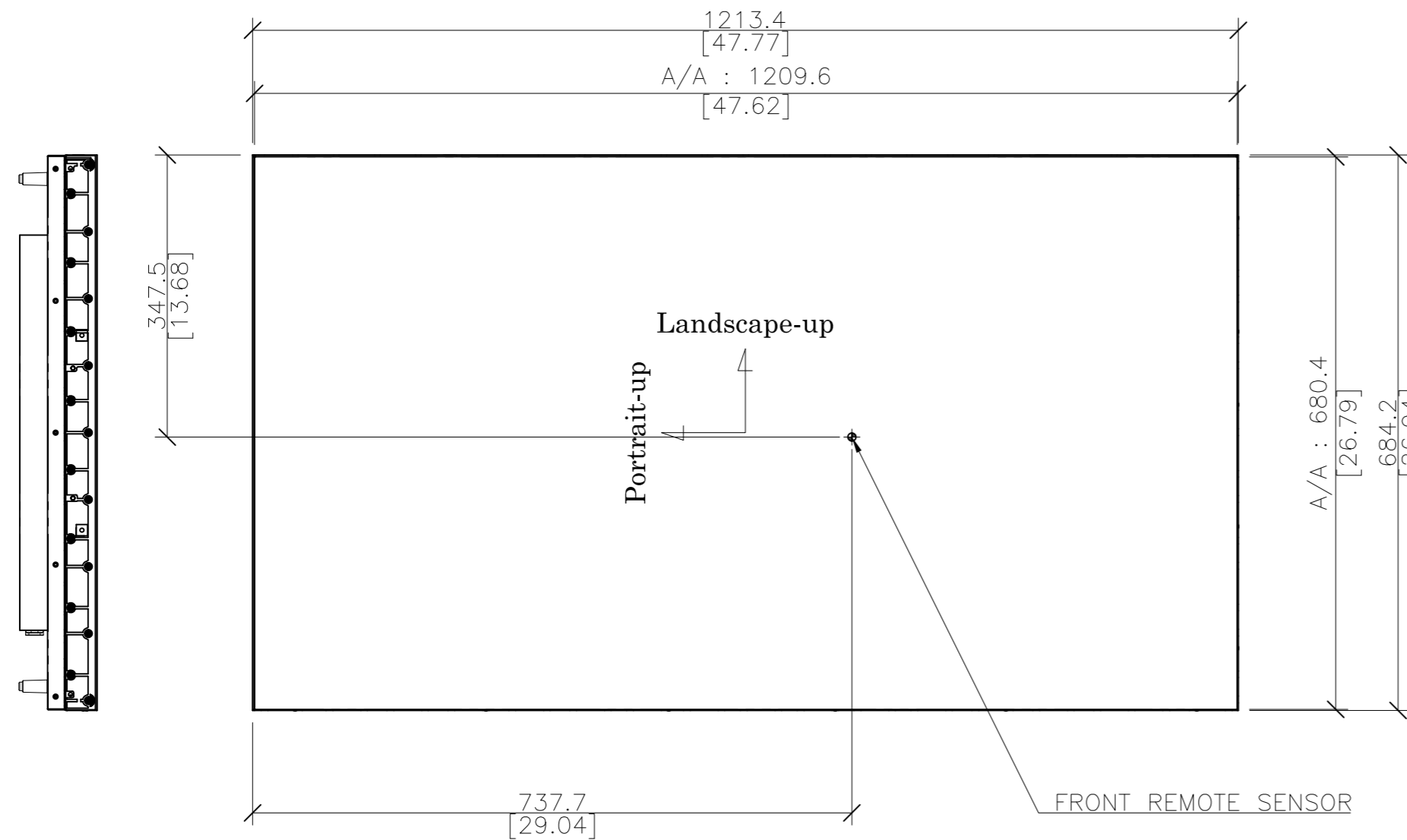
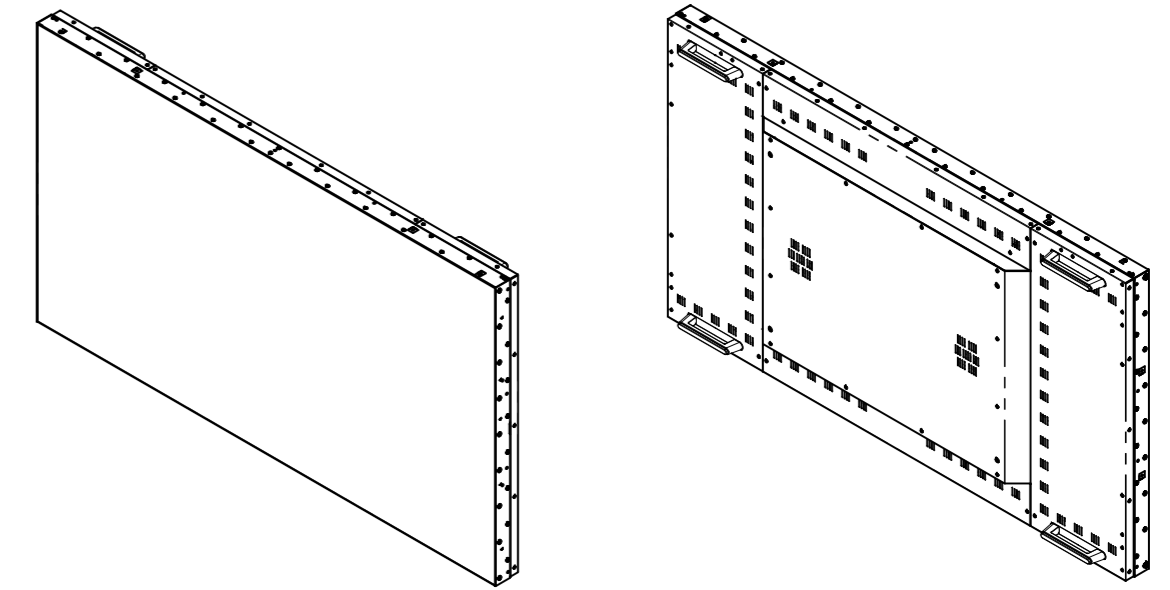
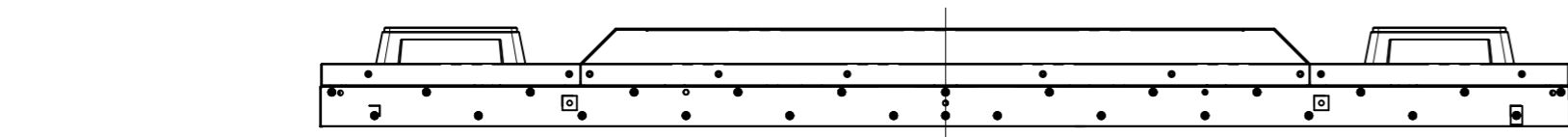


This drawing is the property of HYUNDAI IT CO., LTD. and should not be disclosed to any third party without prior permission of HYUNDAI IT CO., LTD.

REV. NO		REV. HISTORY	LTR	ECO NO	DATE	APPR'L
DWG	PART					
00	00	INITIAL RELEASE	-	-	-	-



NOTES,

1. LCD Panel : 55" UNB
2. Cabinet Material : E.G.I
3. Cabinet Color : Black
4. "J" Location : M4 Tap (2*8 Ea)

DRAWN	PLANNED	CHECKED	APPROVED	UNLESS OTHERWISE SPECIFIED ALL DIMENSION ARE IN MILLIMETERS	ANGLE 3rd.	TITLE : M55LFD EXTERIOR VIEW	UNIT : mm
Y.C.CHOI	S.W.SEO	S.H.JANG	Y.T.KIM	TOLERANCES ARE : LINEAR : X ± 0.2 .X ± 0.1 .XX ± 0.01 ANGLES : ± 0.1° RADII UNLESS NOTED : R 0.3	SCALE : 1/10		TYPE : ASSY
'24.04.25	'24.04.25	'24.04.25	'24.04.25		DWG REV : 00	DWG(PART) NO. M55LFD_001	SIZE : A3
HYUNDAI IT CO., LTD.				MODEL NAME (CODE): M55LFD	CUSTOMER. HDTI		SHT NO : 1/1
				FILE NAME : LAYOUT_D55LFN_ZMA4_240425.DWG			