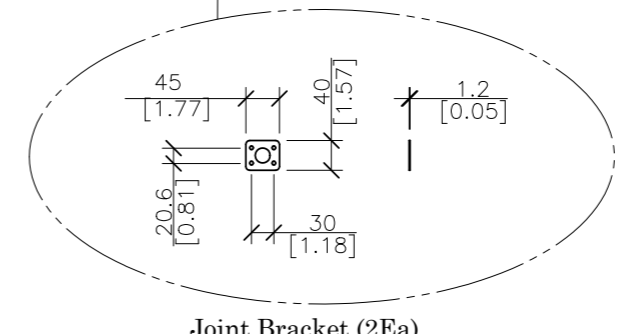
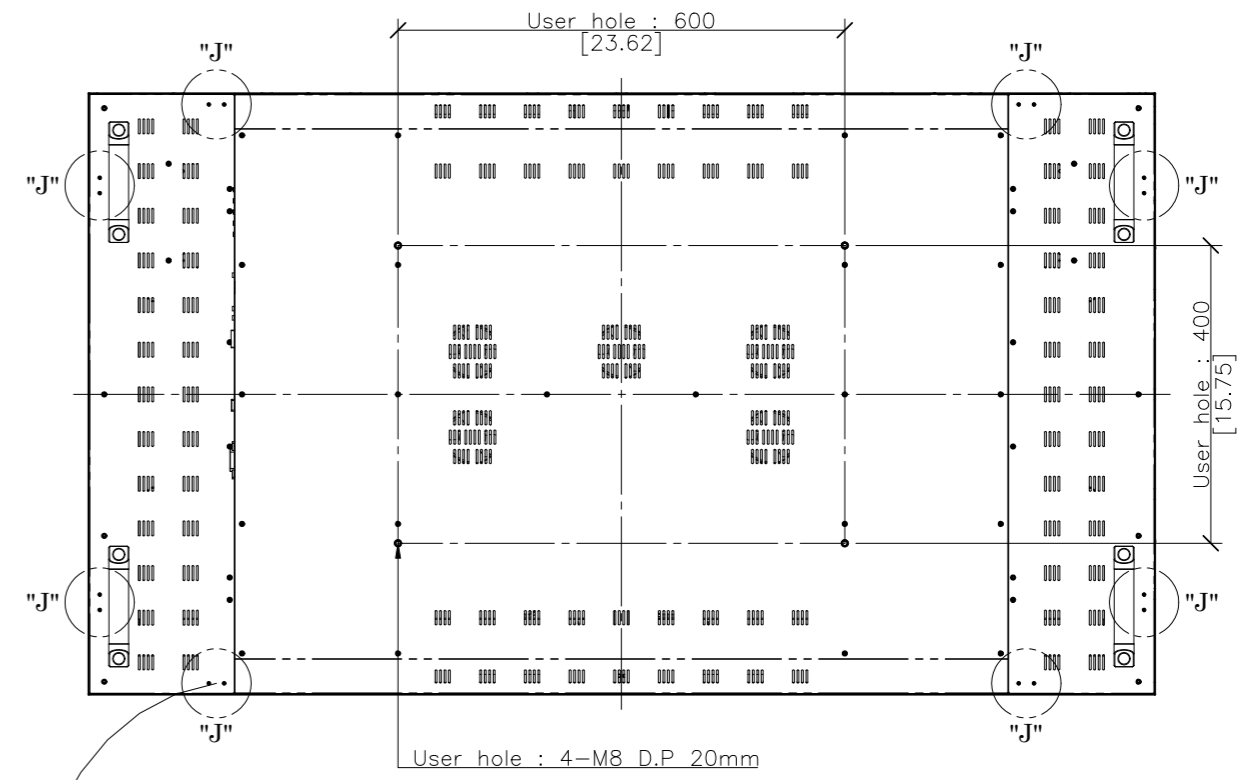
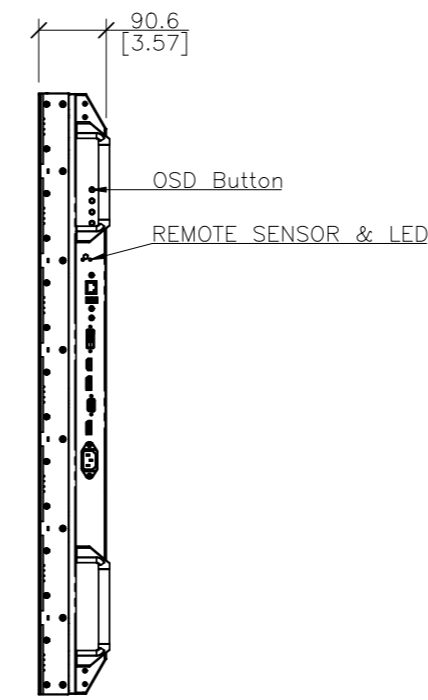
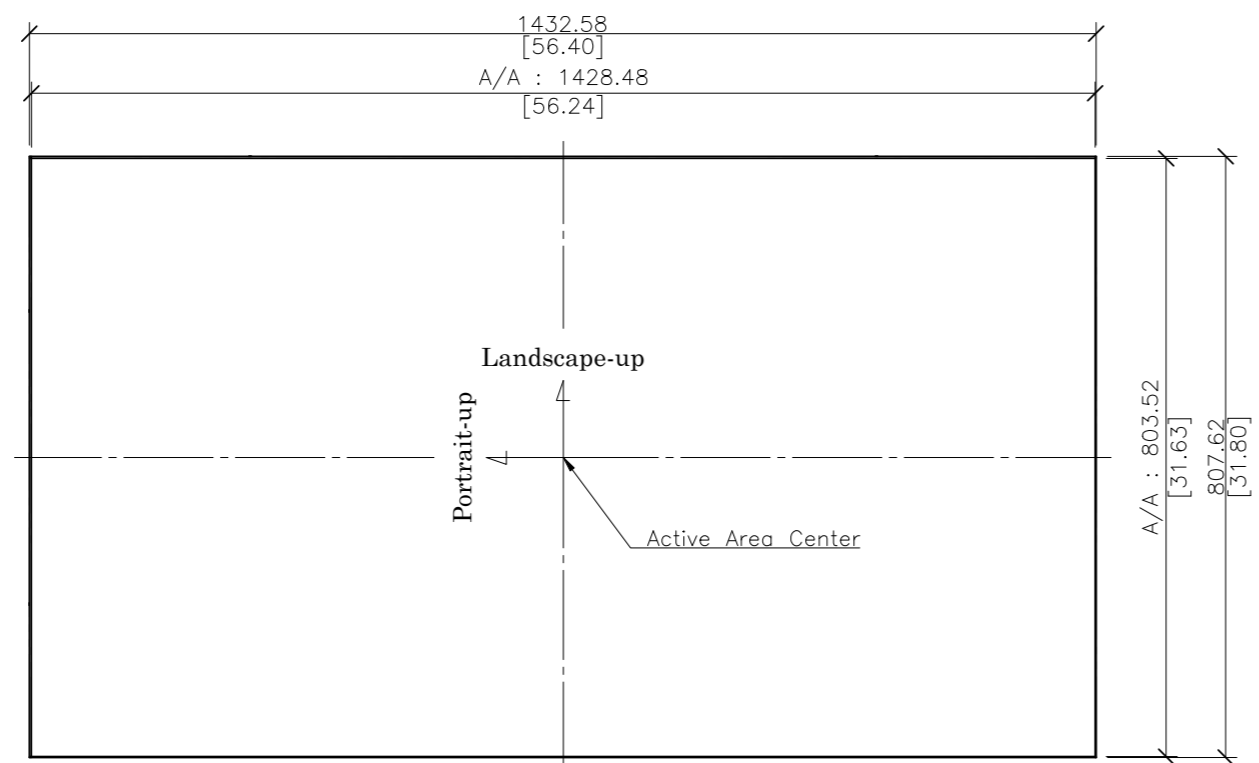
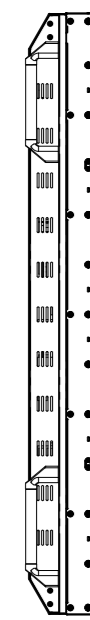
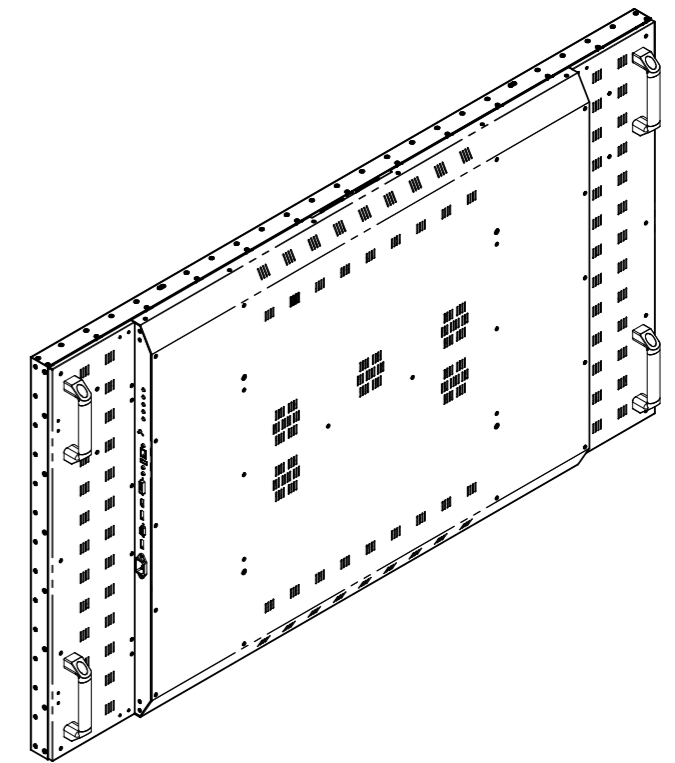
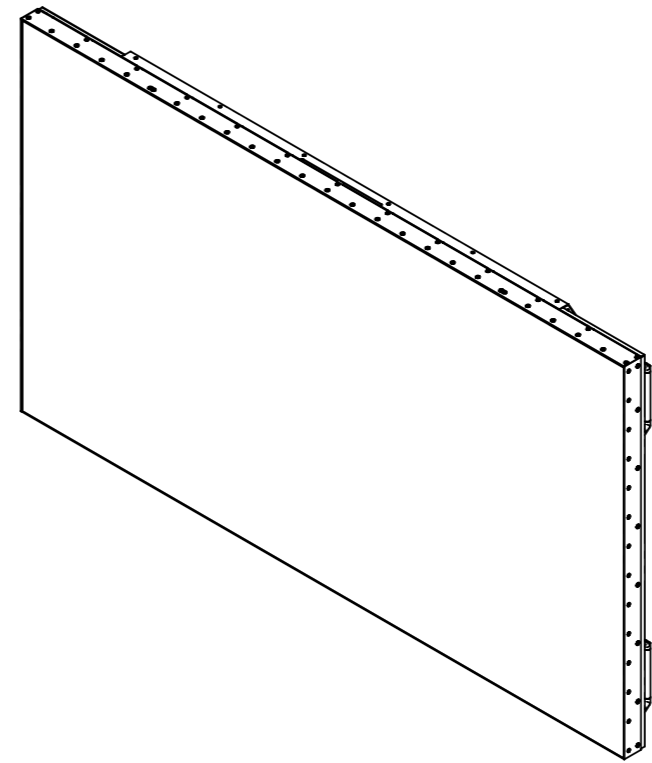


REV. NO		REV. HISTORY	LTR	ECO NO	DATE	APPR'L
DWG	PART					
00	00	INITIAL RELEASE	-	-	-	-



Joint Bracket (2Ea)

- NOTES**
- LCD Panel : 65" UNB
  - Material : E.G.I
  - Color : Black
  - "J" Location : M4 Tap (2\*8 Ea)

DRAWN	PLANNED	CHECKED	APPROVED	UNLESS OTHERWISE SPECIFIED ALL DIMENSION ARE IN MILLIMETERS	ANGLE 3rd.	TITLE :	UNIT : mm
Y.C.CHOI	S.W.SEO	S.H.JANG	Y.T.KIM	TOLERANCES ARE : LINEAR : X ± 0.20 X ± 0.1 XX ± 0.01 ANGLES : ± 0.1° RADI UNLESS NOTED : R 0.3	SCALE : 1/10	M65BFD EXTERIOR VIEW	TYPE : PART
23.07.07	23.07.07	23.07.07	23.07.07	MODEL NAME (CODE): M65BFD	CUSTOMER: HDIT	DWG REV : 00	DWG(PART) NO. M65BFD_001
HYUNDAI IT CO., LTD.				FILE NAME : LAYOUT_M65BFD_230707.DWG	SHT NO : 1/1	SIZE : A2	