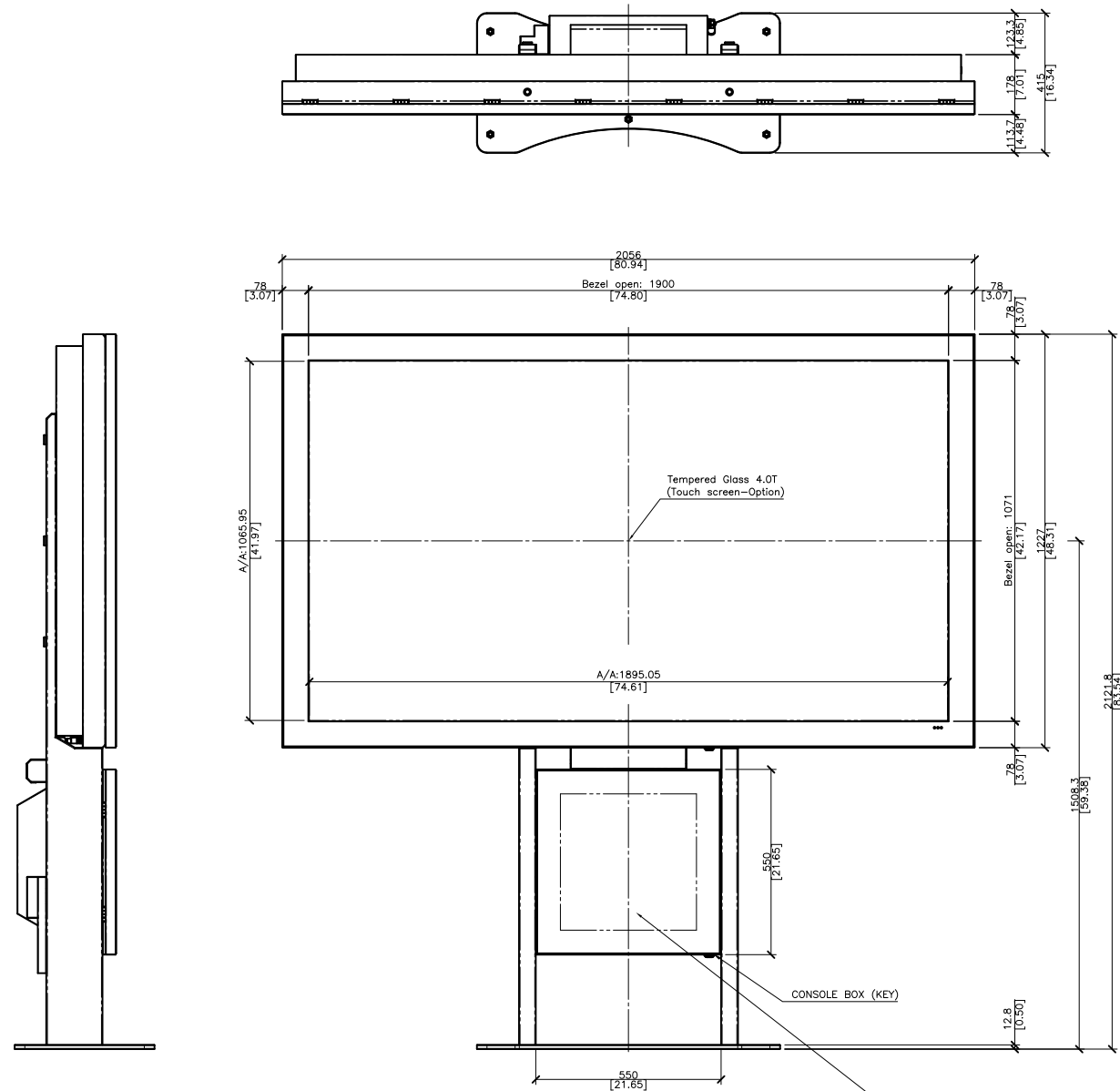
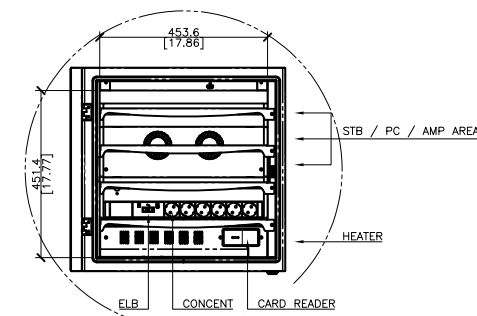
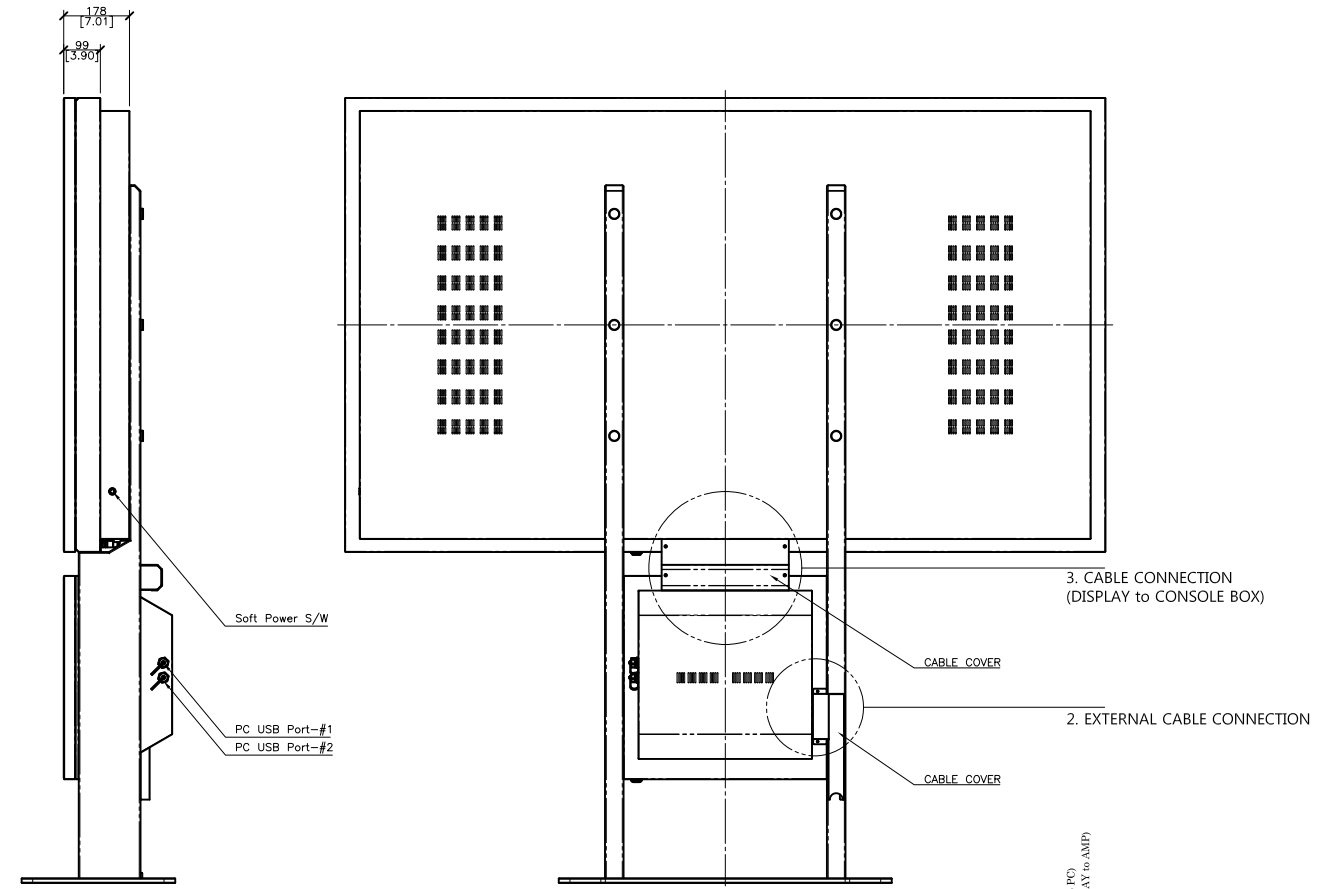
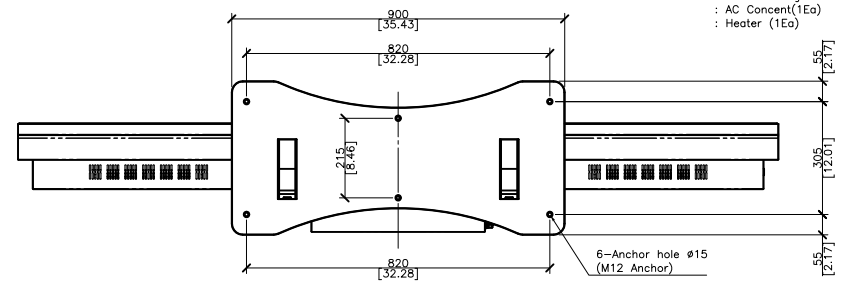


REV. NO	REV. HISTORY	LTR	ECO NO	DATE	APPR.
DWG PART					
00 00	INITIAL RELEASE	-	-	-	-

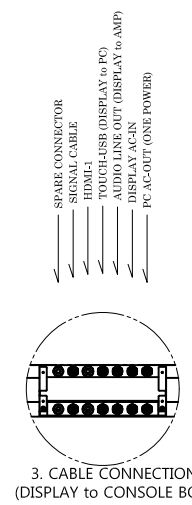
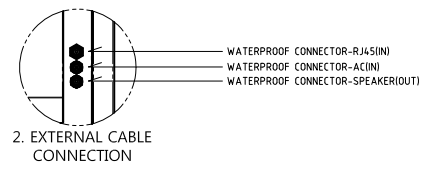


1. CONSOLE BOX

- : STB Area(inside) : 460(W)x220(D)x460(H)
- : Cooling : AC FAN(2Ea)
- : Earth Leakage Circuit Breaker(1Ea)
- : AC Concent(1Ea)
- : Heater (1Ea)



1. CONSOLE BOX (OPEN VIEW)



This drawing is the property of HYUNDAI IT Corp. and should not be disclosed to any third party without prior permission of HYUNDAI IT CO., LTD.

DRAWN	PLANNED	CHECKED	APPROVED	UNLESS OTHERWISE SPECIFIED ALL DIMENSIONS ARE IN MILLIMETERS	ANGLE	TITLE	UNIT
S.HJANG	S.HJANG	-	Y.TKIM	TOLERANCES ARE LINEAR ±0.20 X±0.1 XX±0.01	SCALE:	V867MS with FIXED STAND	mm
18.08.08	18.08.08	-	18.08.08	ANGLES ±0.1°	1:100		TYPE: ASSY
HYUNDAI IT CO., LTD.				MODEL NAME CODE: V867MS	CUSTOMER: HDT	DWG REV: 00	SIZE: A1
				FILE NAME: LANTRC_V867MS_1001E.DWG		SHT NO: 01	
						DWG(PART) NO. V867MS_101	