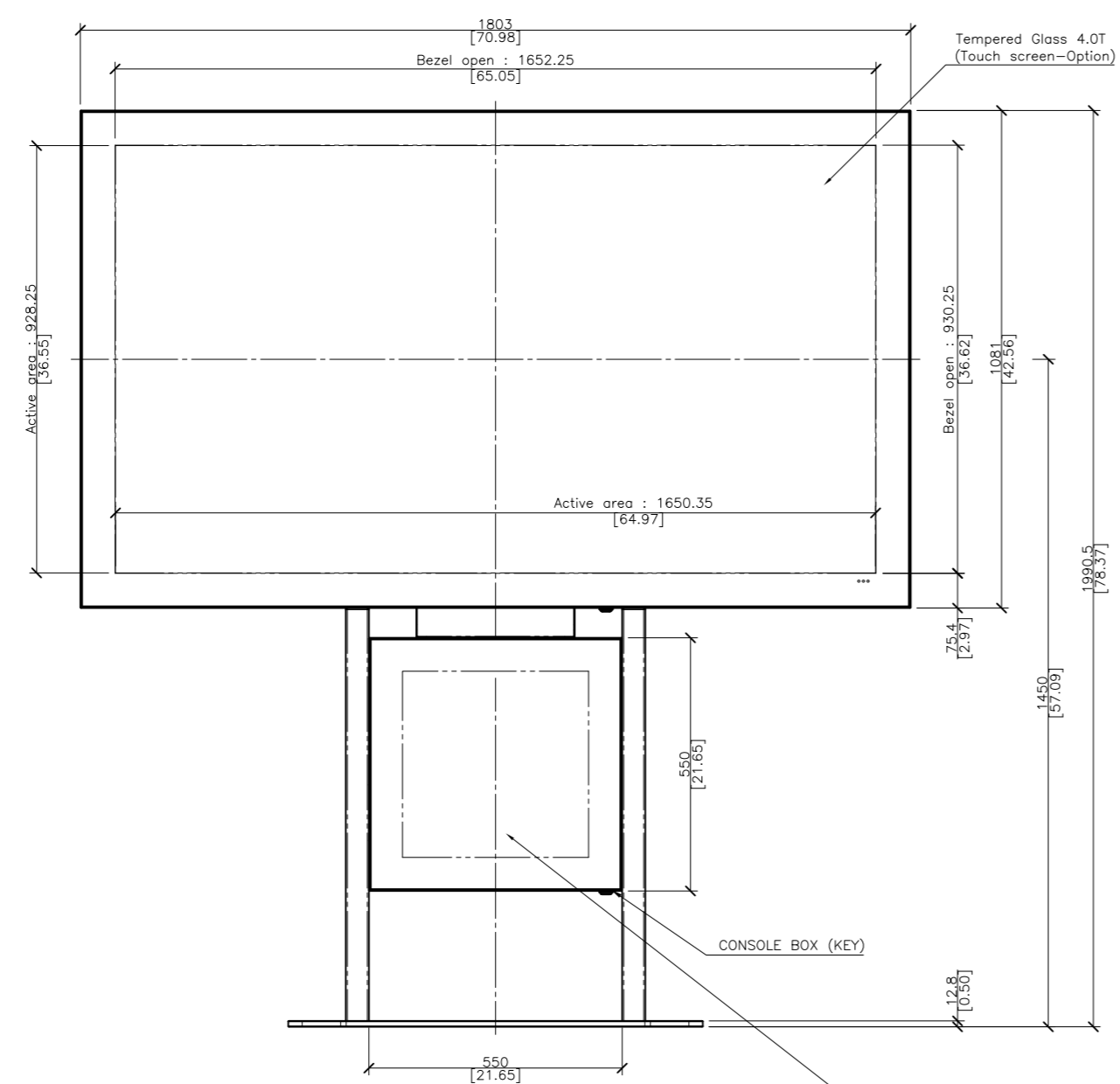
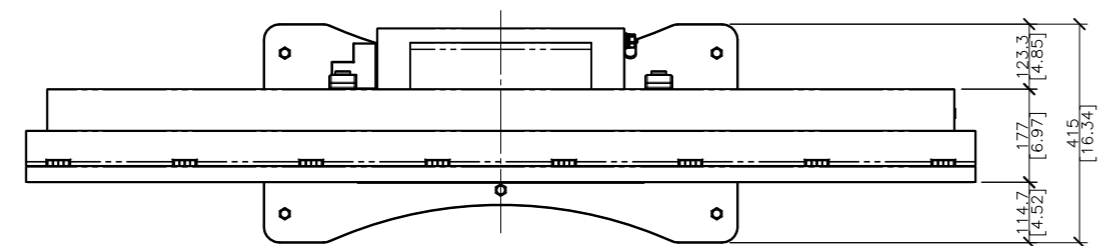
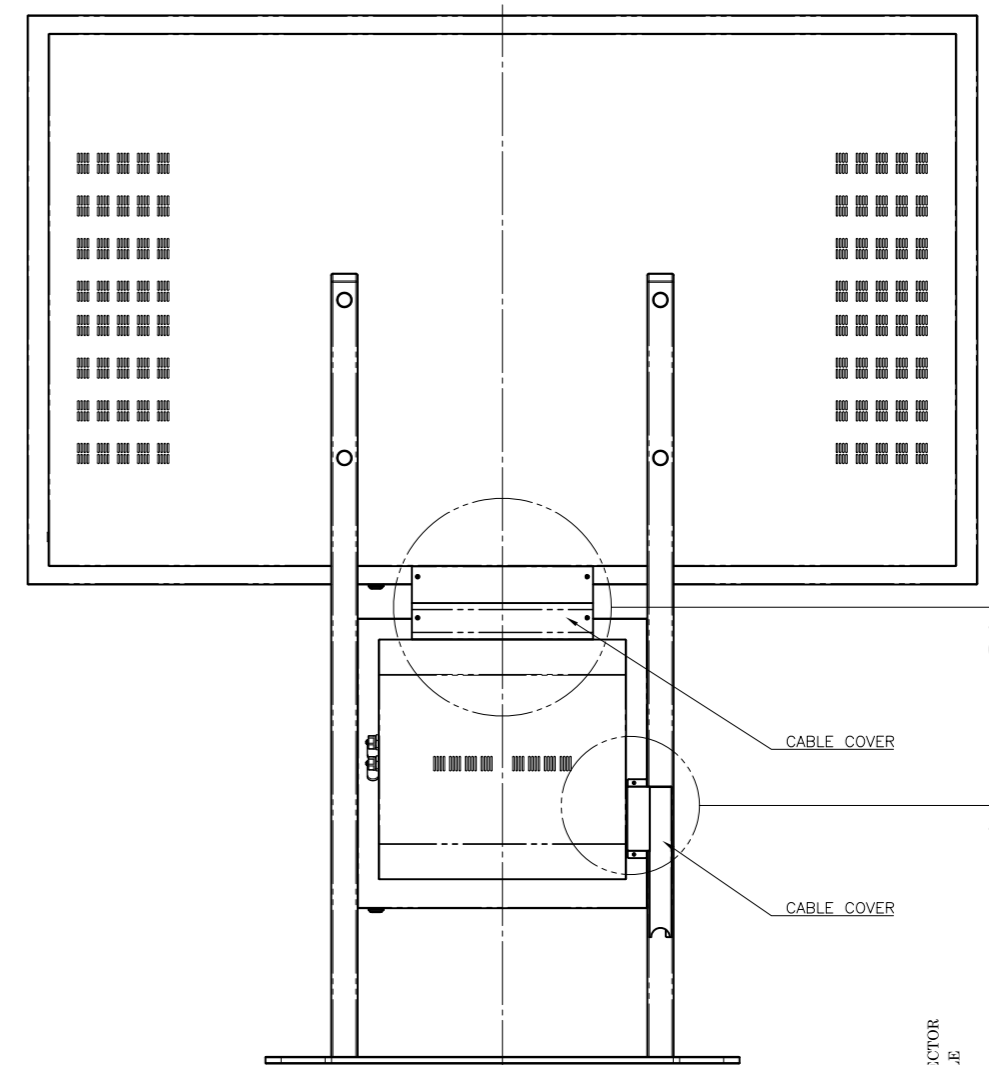
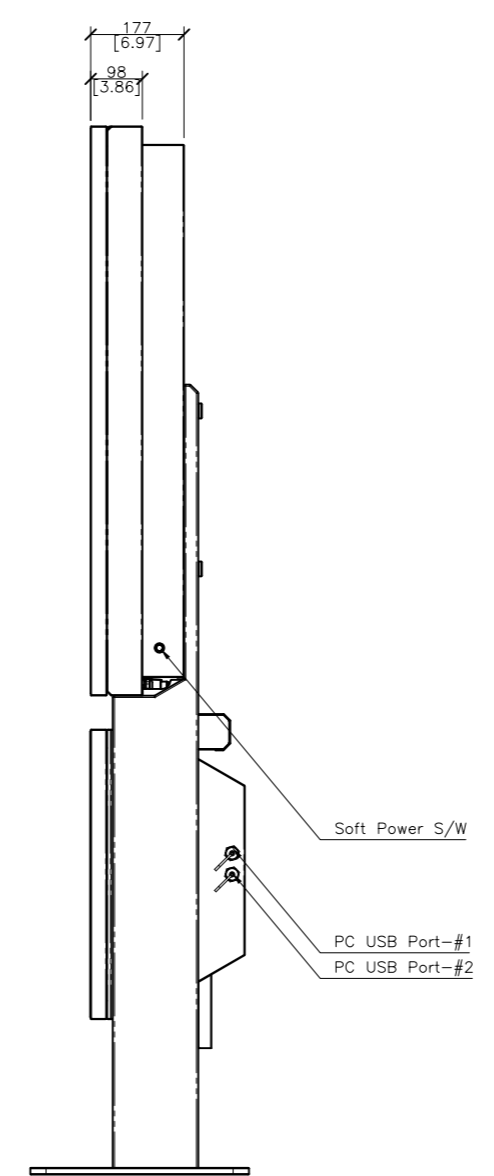
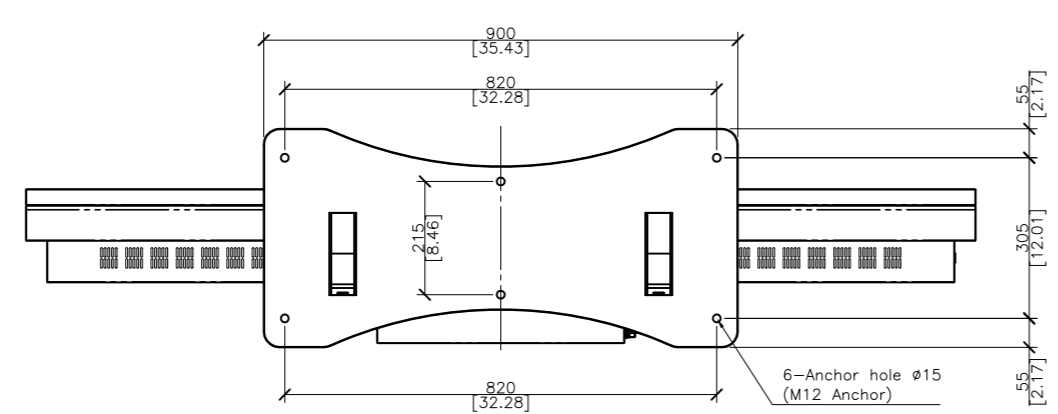


REV. NO	DWG PART	REV. HISTORY	LTR	ECO NO	DATE	APPR
00	00	INITIAL RELEASE	-	-	-	-



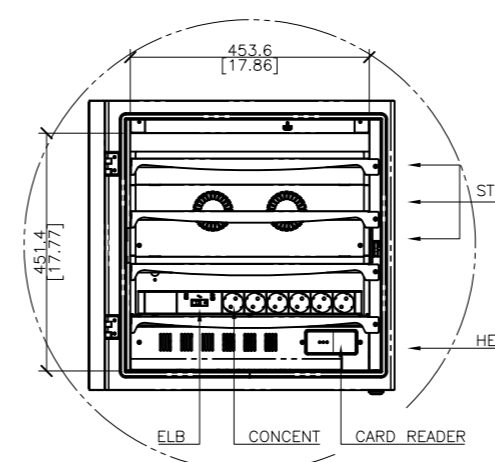
- 1. CONSOLE BOX**
- : STB Area(inside) : 460(W)x220(D)x460(H)
  - : Cooling : AC FAN(2Ea)
  - : Earth Leakage Circuit Breaker(1Ea)
  - : AC Concent(1Ea)
  - : Heater (1Ea)



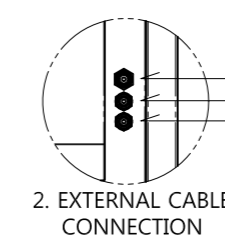
3. CABLE CONNECTION (DISPLAY to CONSOLE BOX)

2. EXTERNAL CABLE CONNECTION

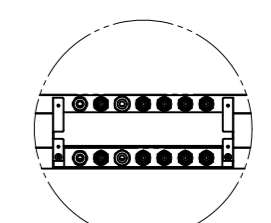
- SPARE CONNECTOR
- SIGNAL CABLE
- HDMI
- TOUCH USB (DISPLAY to PC)
- AUDIO LINE OUT (DISPLAY to AMP)
- LAN
- PC AC/OUT (ONE POWER)



1. CONSOLE BOX (OPEN VIEW)



2. EXTERNAL CABLE CONNECTION



3. CABLE CONNECTION (DISPLAY to CONSOLE BOX)

DRAWN	PLANNED	CHECKED	APPROVED	UNLESS OTHERWISE SPECIFIED ALL DIMENSIONS ARE IN MILLIMETERS	ANGLE	TITLE	UNIT
S.H.ANG	S.H.ANG	-	Y.T.KIM	REFERENCE ARE: LINEAR: X ± 0.10 X ± 0.05 RADIUS UNLESS NOTED: R 0.5	3rd	V757MS with FIXED STAND	mm
18.03.08	18.03.08	-	18.03.08		SCALE:	DWG/PART NO.	SIZE:
HYUNDAI IT CO., LTD.				MODEL NAME CODE: V757MS	CUSTOMER: HHT	V757MS_101	A1
				FILE NAME: LAYOUT_V757MS_100002.DWG	DWG REV: 00		
					SHT NO: 1/1		

This drawing is the property of HYUNDAI IT Corp. and should not be disclosed to any third party without prior permission of HYUNDAI IT Corp.