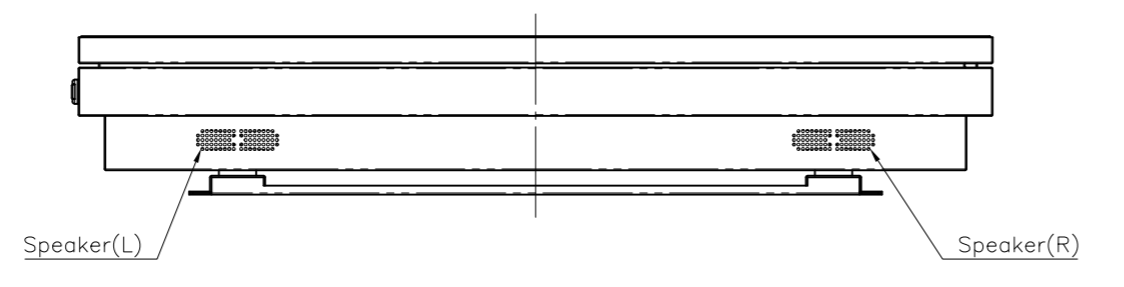
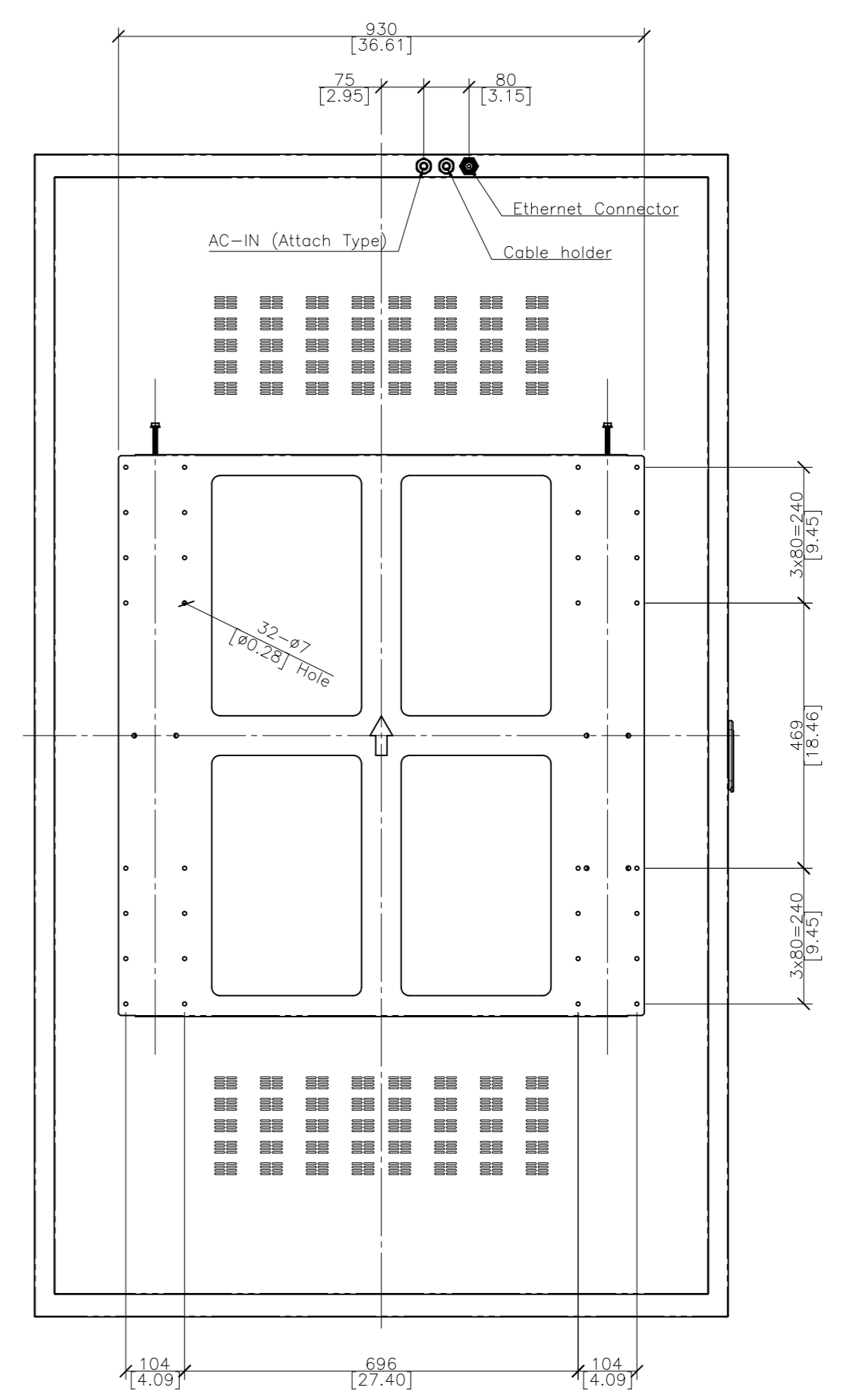
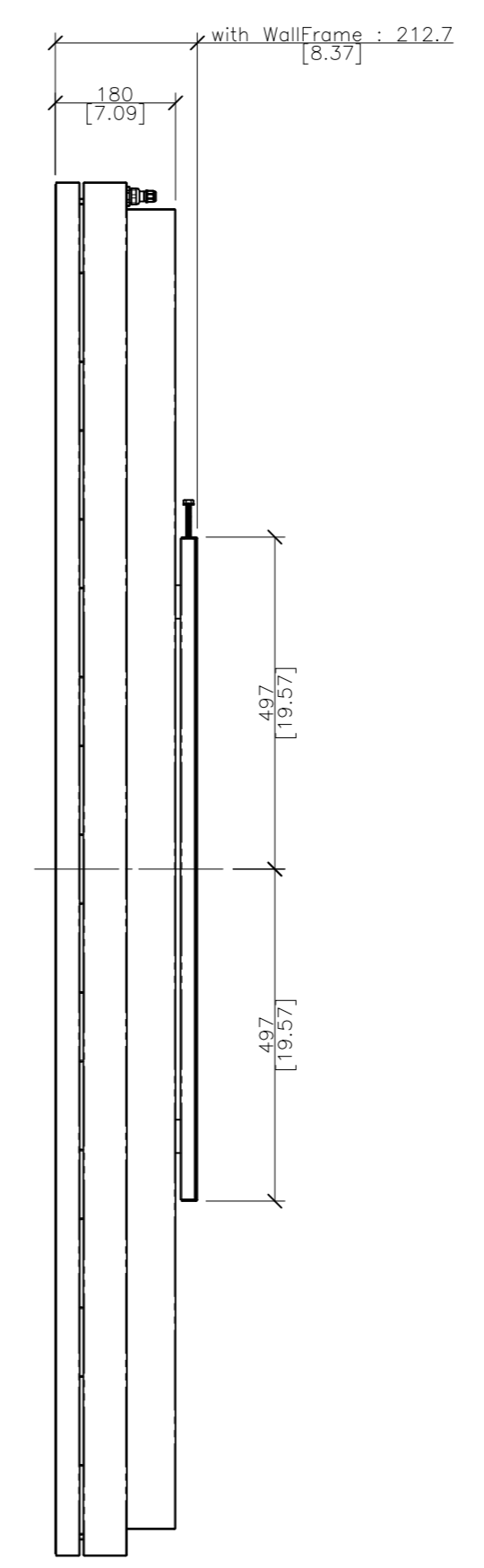
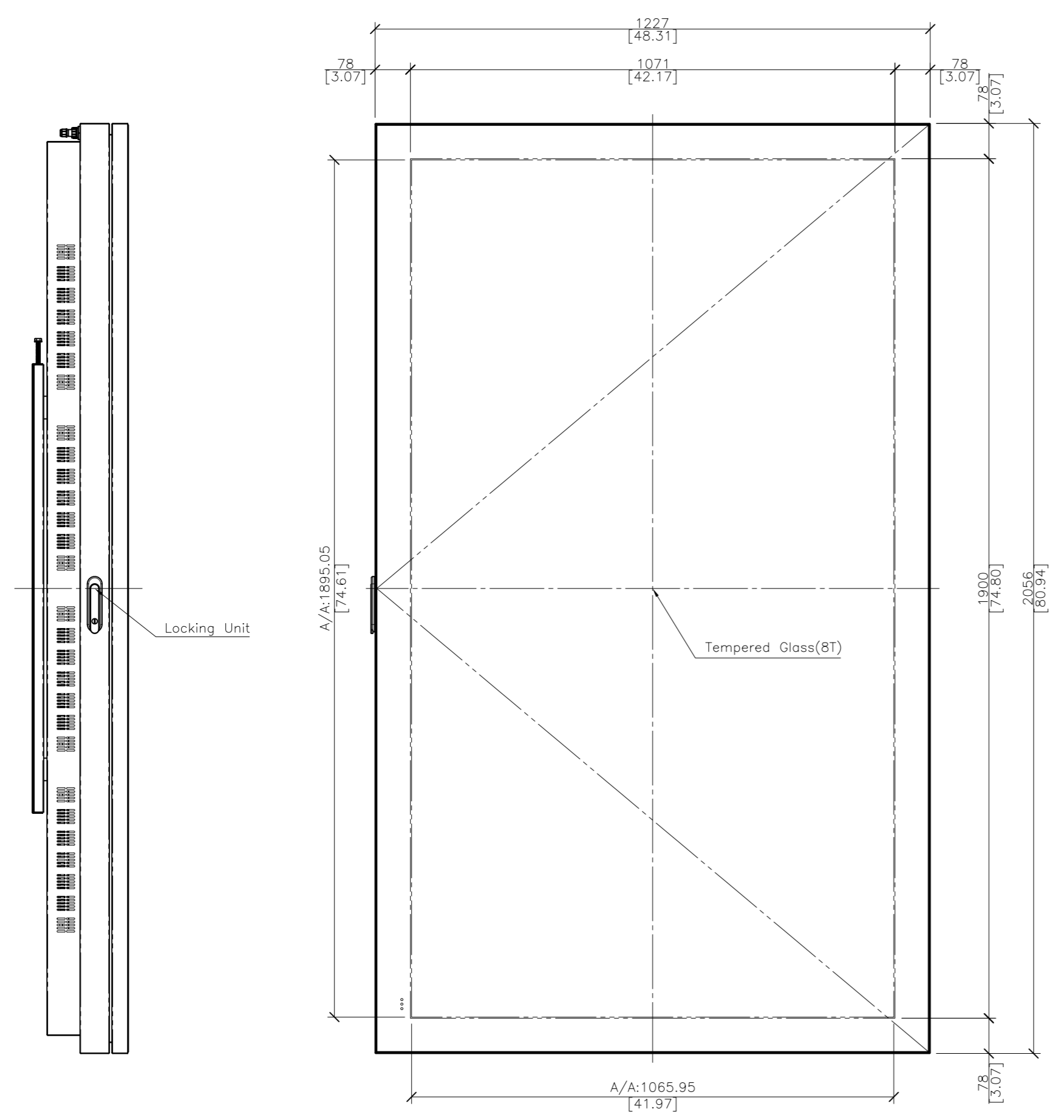
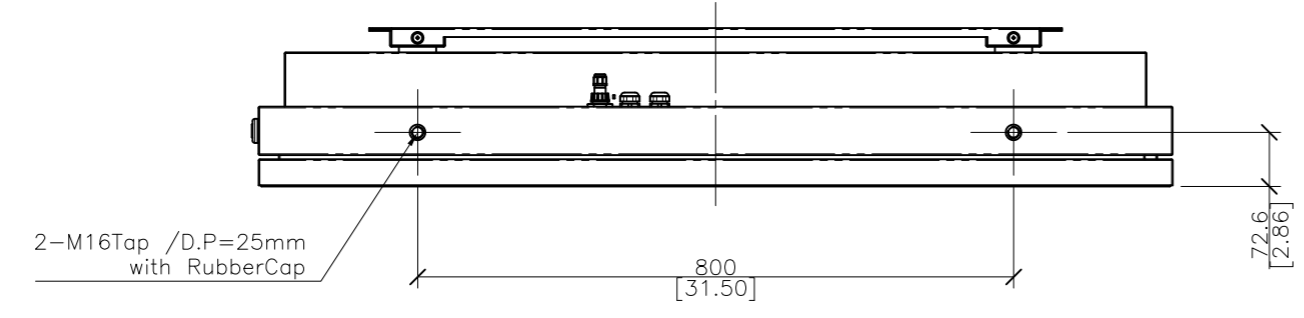


REV. NO		REV. HISTORY	LTR	ECO NO	DATE	APPR'L
DWG	PART					
00	00	INITIAL RELEASE	-	-	-	-

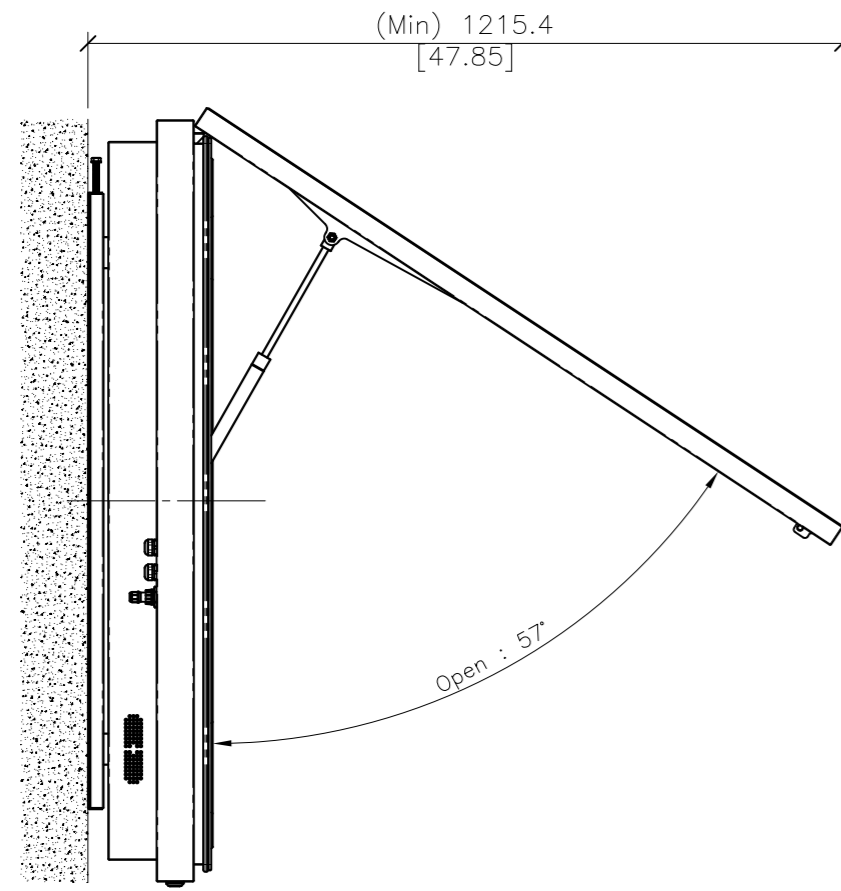


- NOTES.**
1. LCD Panel : 86"
 2. Material : E.G.I
 3. Cabinet Color : Black
 4. Tempered Glass : 8.0T (Single AR)
 5. VESA 800 by 800 (M12)

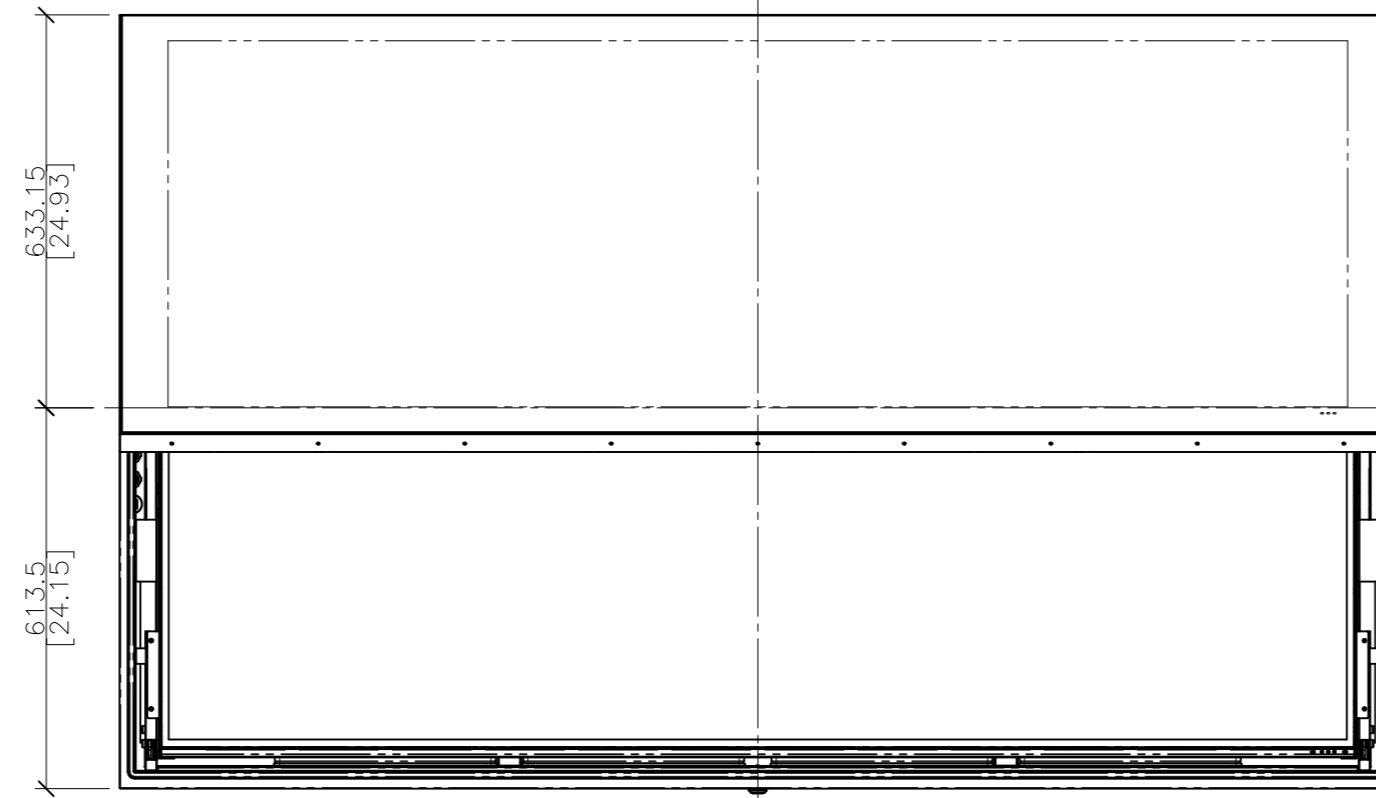
DRAWN	PLANNED	CHECKED	APPROVED	UNLESS OTHERWISE SPECIFIED ALL DIMENSION ARE IN MILLIMETERS	ANGLE 3rd.	TITLE :	UNIT : mm
S.H.JANG	S.H.JANG	S.H.JANG	Y.T.KIM	TOLERANCES ARE: LINEAR : X ± 0.20 X ± 0.1 XX ± 0.01 ANGLES : ± 0.1° RADIUS UNLESS NOTED : R 0.3	SCALE : 1/10	Q867MS (Portrait) EXTERIOR VIEW	TYPE : ASSY
23.02.15	23.02.15	23.02.15	23.02.15			DWG PART NO. Q867MS_002	SIZE : A2
HYUNDAI IT CO., LTD.				MODEL NAME (CODE): Q867MS	CUSTOMER: HDIT	DWG REV: 00	
				FILE NAME: LAYOUT_Q867MS_230215.DWG		SHT NO: 1/1	

This drawing is the property of HYUNDAI IT CO., LTD. and should not be disclosed to any third party without prior permission of HYUNDAI IT CO., LTD.

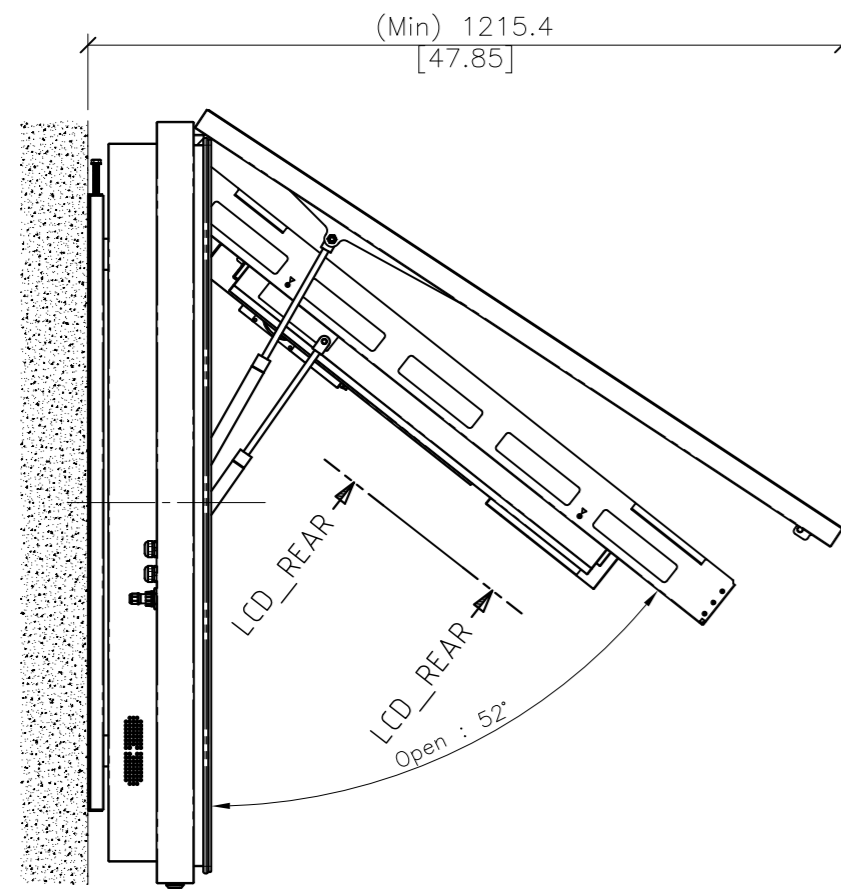
REV. NO		REV. HISTORY	LTR	ECO NO	DATE	APPR'L
DWG	PART					
00	00	INITIAL RELEASE	-	-	-	-



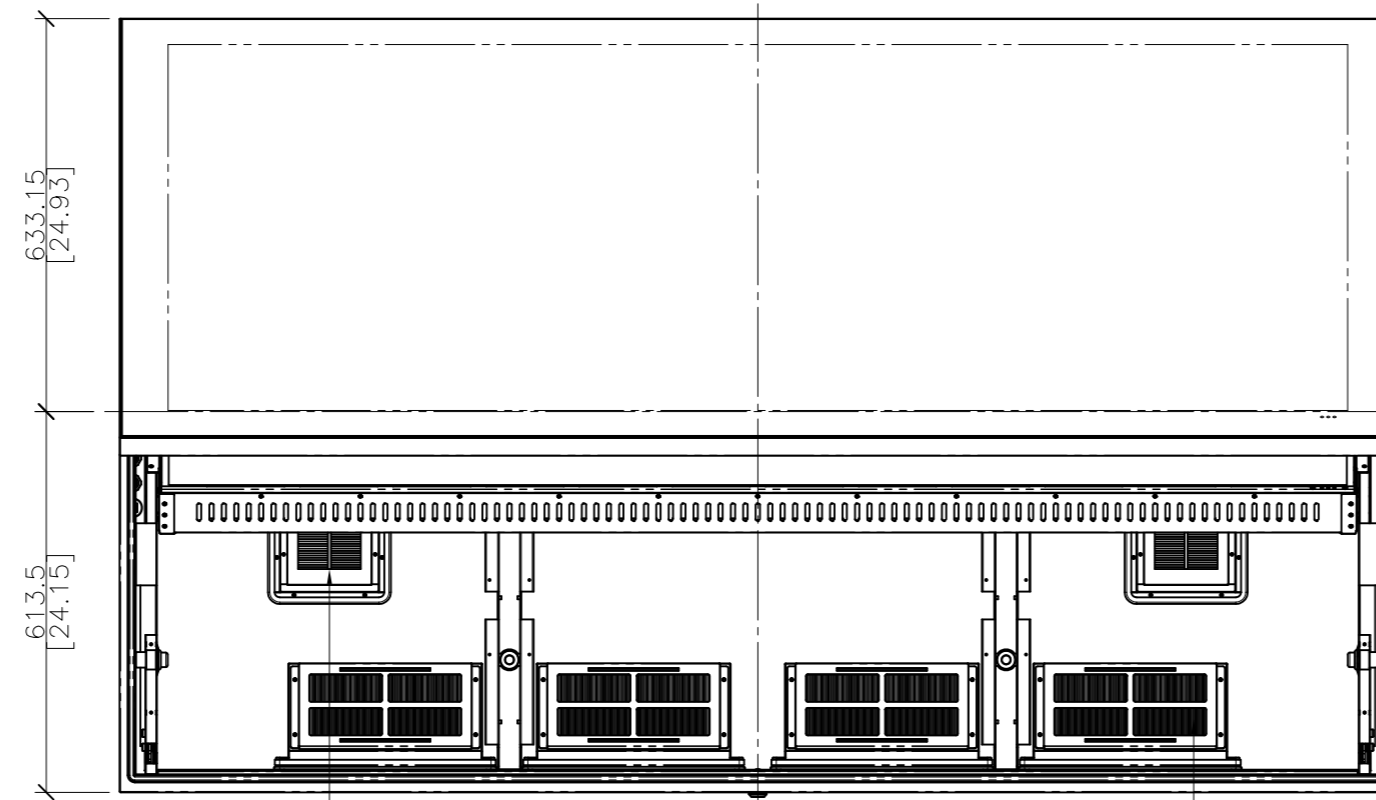
Door Open (Side view)



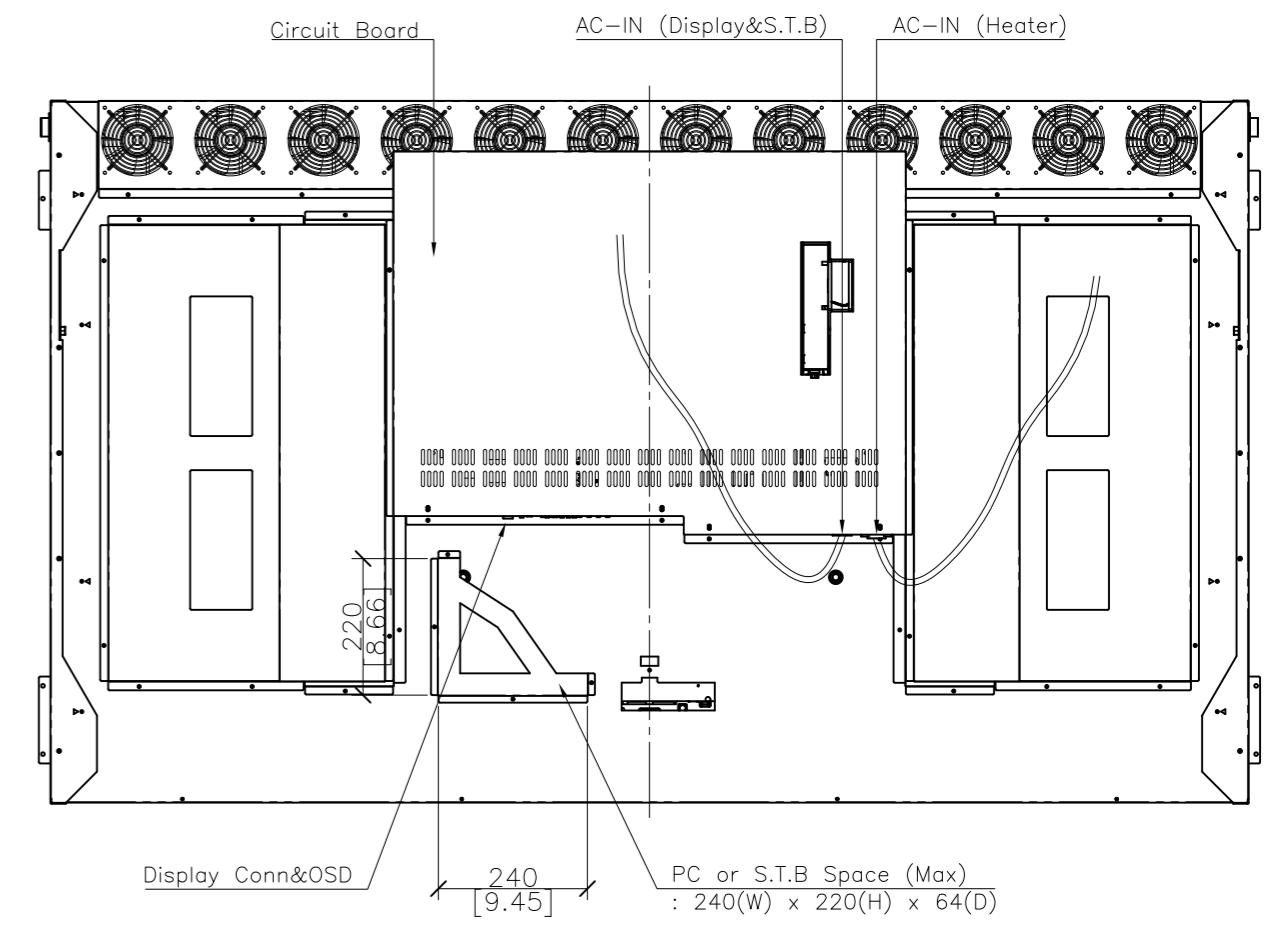
Door Open (Front view)



LCD Open (Side view)



LCD Open (Front view)



Section-LCD Rear (Open view)

Dustproof Filter Out (2x2=4EA)

Dustproof Filter In (1x4=4EA)

DRAWN	PLANNED	CHECKED	APPROVED	UNLESS OTHERWISE SPECIFIED ALL DIMENSION ARE IN MILLIMETERS	ANGLE 3rd.	TITLE : Q867MS(Open) EXTERIOR VIEW	UNIT : mm
S.W.SEO	S.H.JANG	S.H.JANG	Y.T.KIM		TOLERANCES ARE: LINEAR : X ± 0.20 X ± 0.1 XX ± 0.01 ANGLES : ± 0.1° RADIUS UNLESS NOTED : R 0.3		SCALE : 1/12
'18.09.28	'18.09.28	'18.09.28	'18.09.28	MODEL NAME (CODE): Q867MS	CUSTOMER: HDT	DWG REV : 00	DWG(PART) NO. Q867MS_003
HYUNDAI IT CO., LTD.				FILE NAME : LAYOUT_Q867MS_230215.DWG	SHT NO : 1/1		SIZE : A2

This drawing is the property of HYUNDAI IT CO., LTD. and should not be disclosed to any third party without prior permission of HYUNDAI IT CO., LTD.