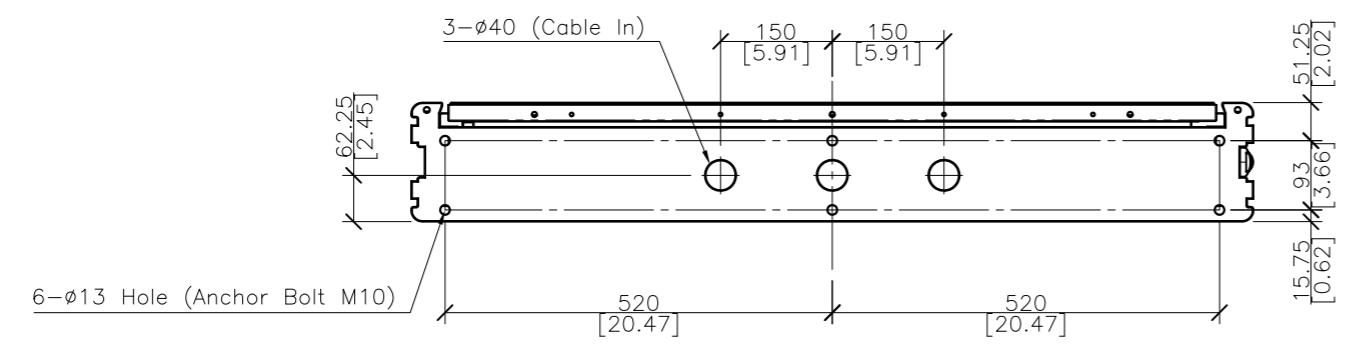
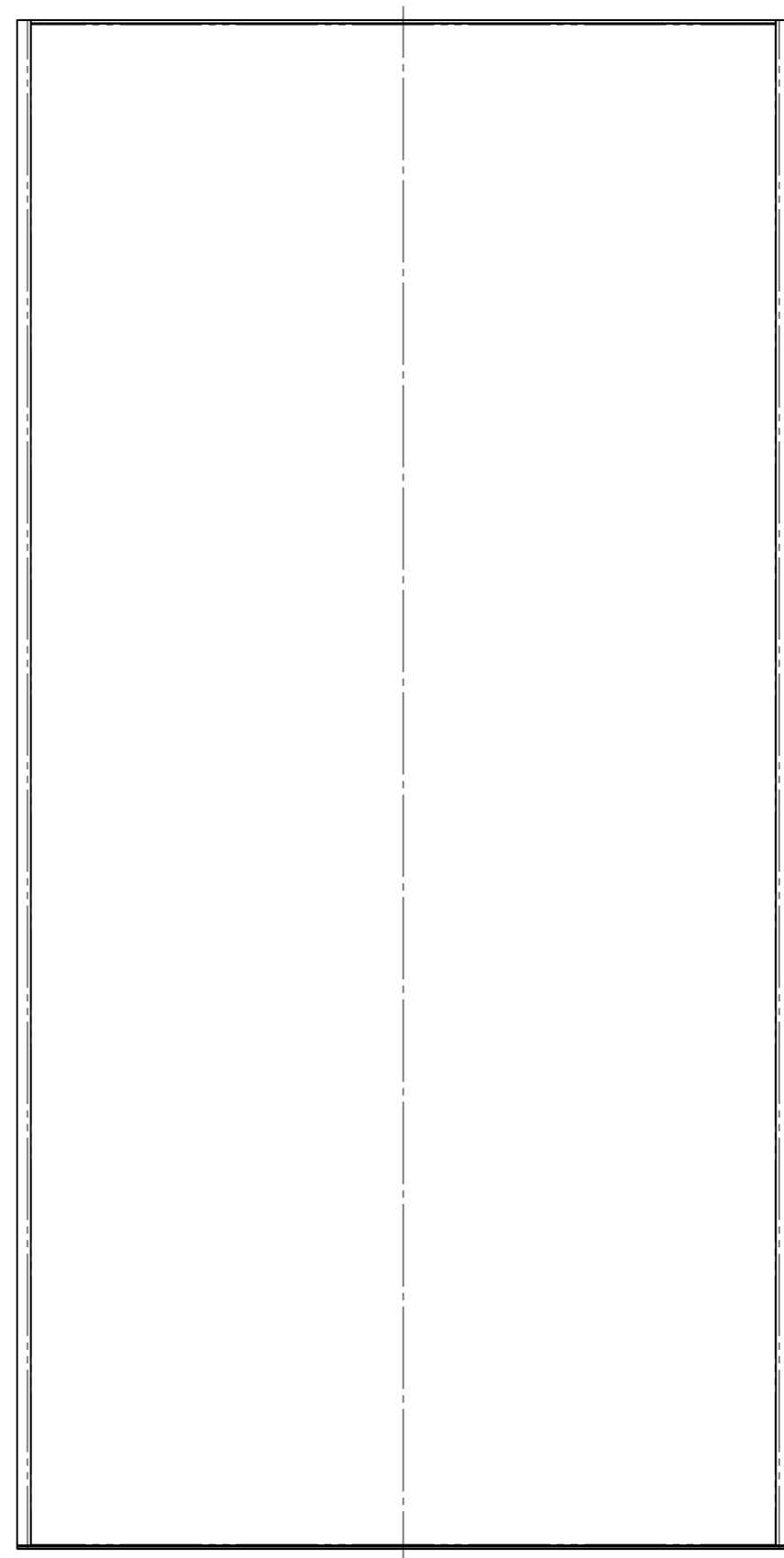
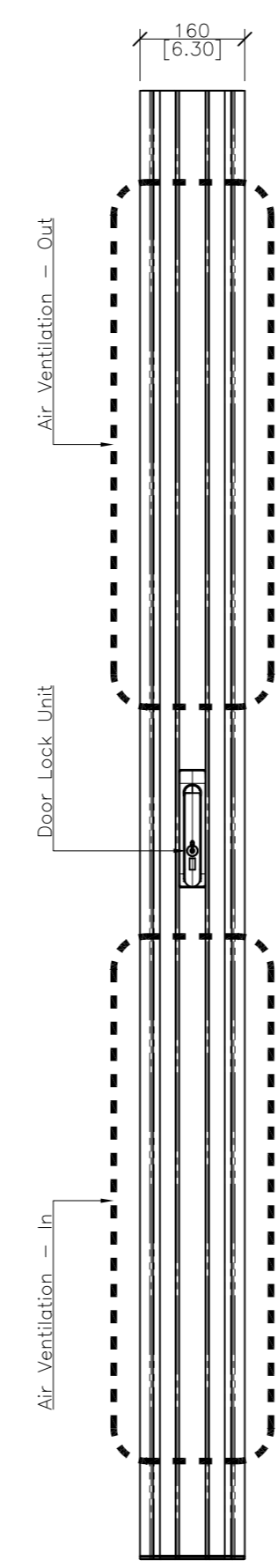
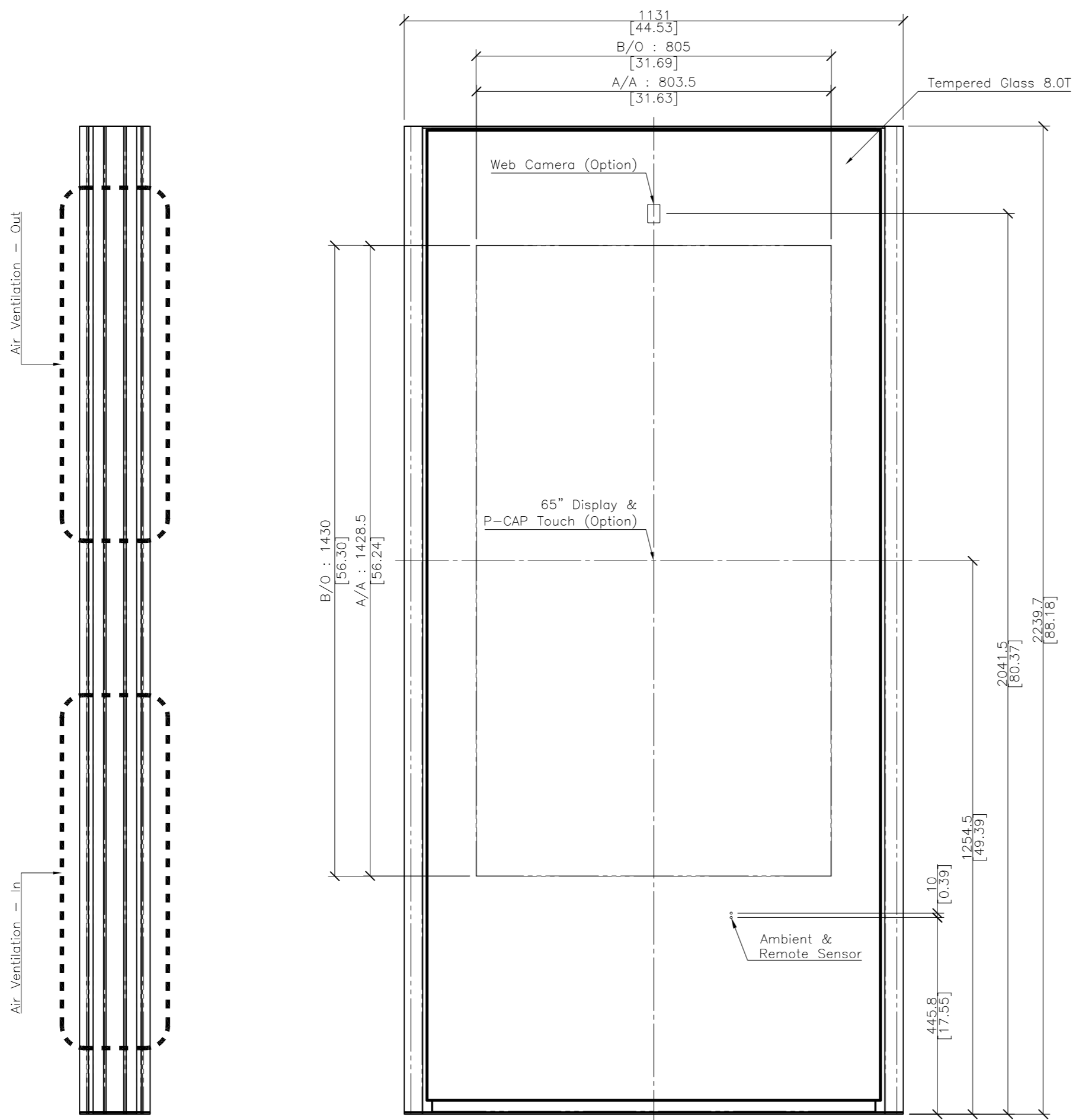
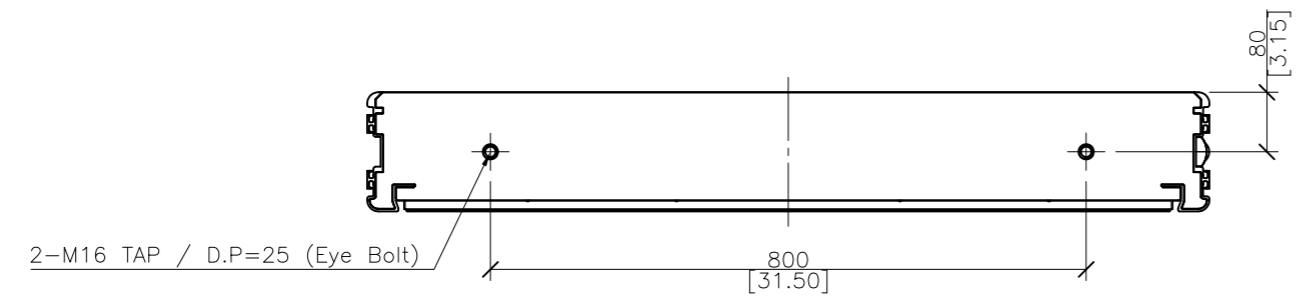


REV. NO		REV. HISTORY	LTR	ECO NO	DATE	APPR'L
DWG	PART					
00	00	INITIAL RELEASE	-	-	-	-



NOTES

1. Cable Entry : Cable Gland("IP66" or more certified products should be used)

DRAWN	PLANNED	CHECKED	APPROVED	UNLESS OTHERWISE SPECIFIED ALL DIMENSION ARE IN MILLIMETERS	ANGLE: 3rd.	TITLE : Q657SS EXTERIOR VIEW	UNIT : mm
S.W.SEO	S.H.JANG	S.H.JANG	Y.T.KIM	TOLERANCES ARE: LINEAR : X ± 0.20 X ± 0.1 XX ± 0.01 ANGLES : ± 0.1° RADIH UNLESS NOTED : R 0.3	SCALE : 1/10		TYPE : ASSY
HYUNDAI IT CO.,LTD.				MODEL NAME (CODE): Q657SS	CUSTOMER: -	DWG REV : 00	DWG(PART) NO. Q657SS_001
				FILE NAME : LAYOUT_Q657S_200424.DWG		SHT NO : 1/1	SIZE : A2