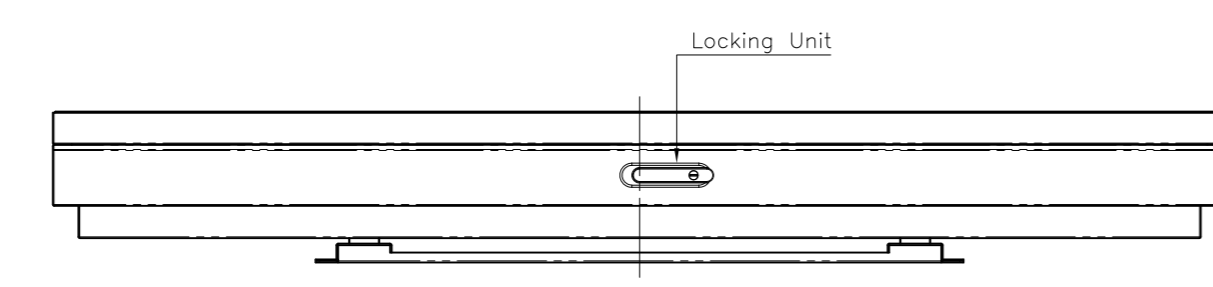
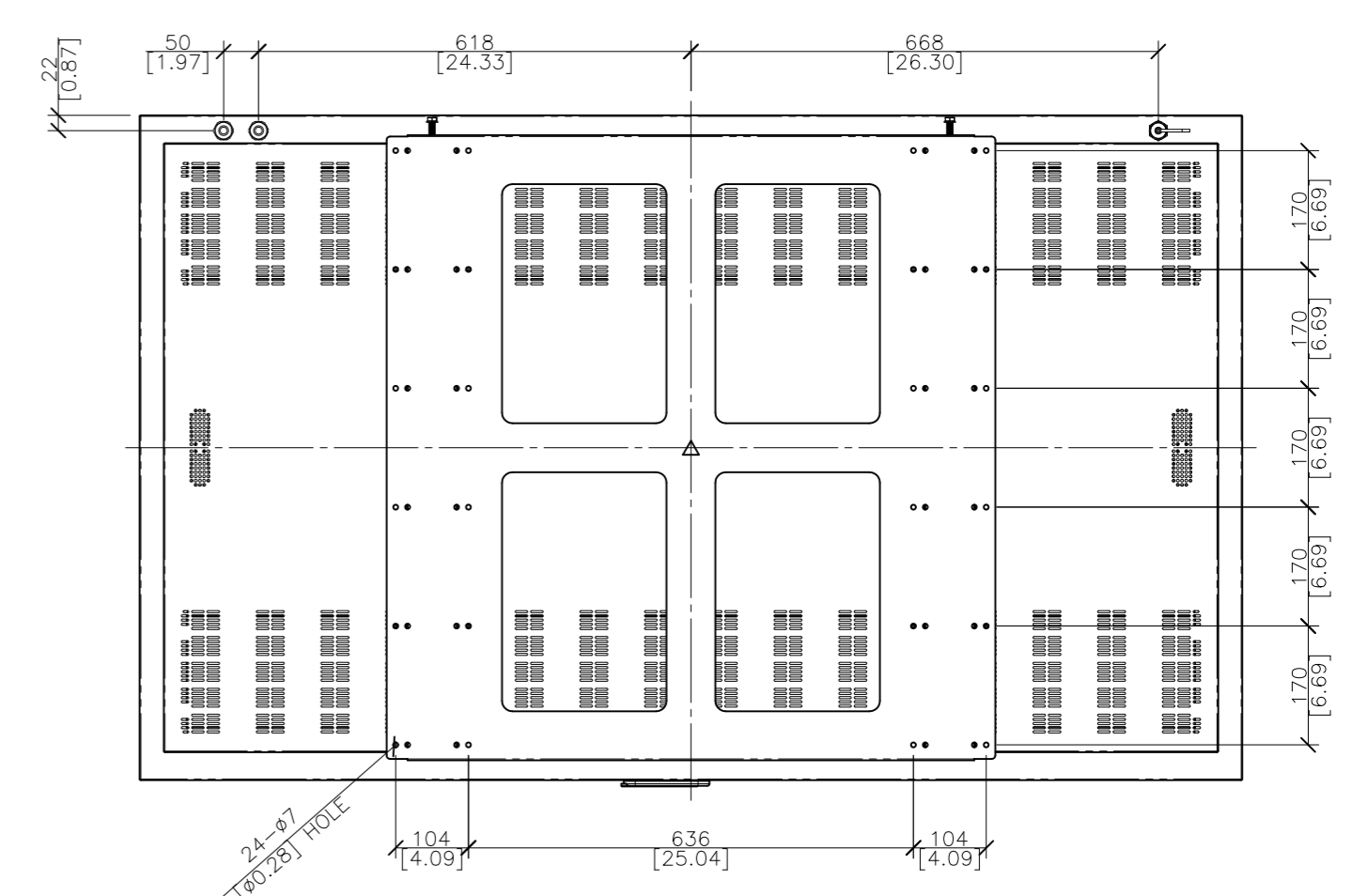
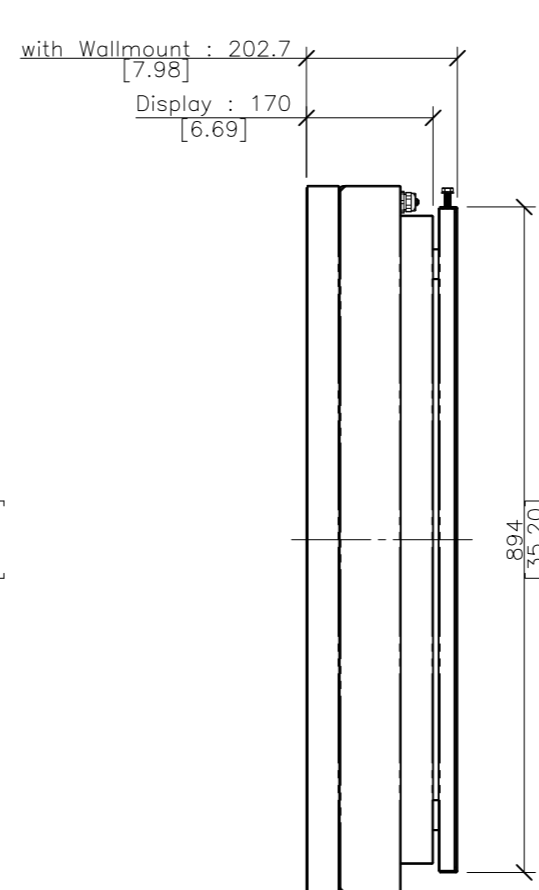
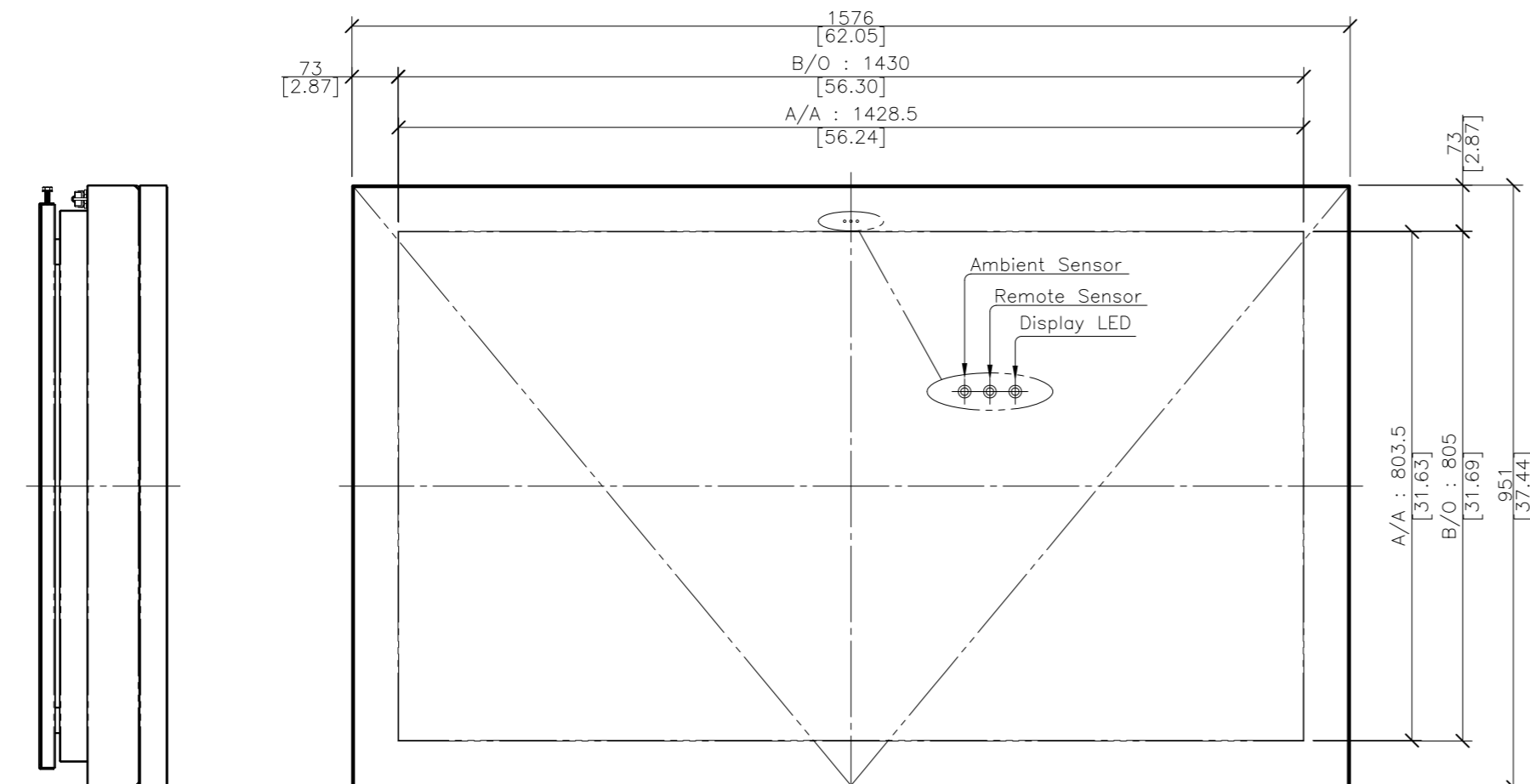
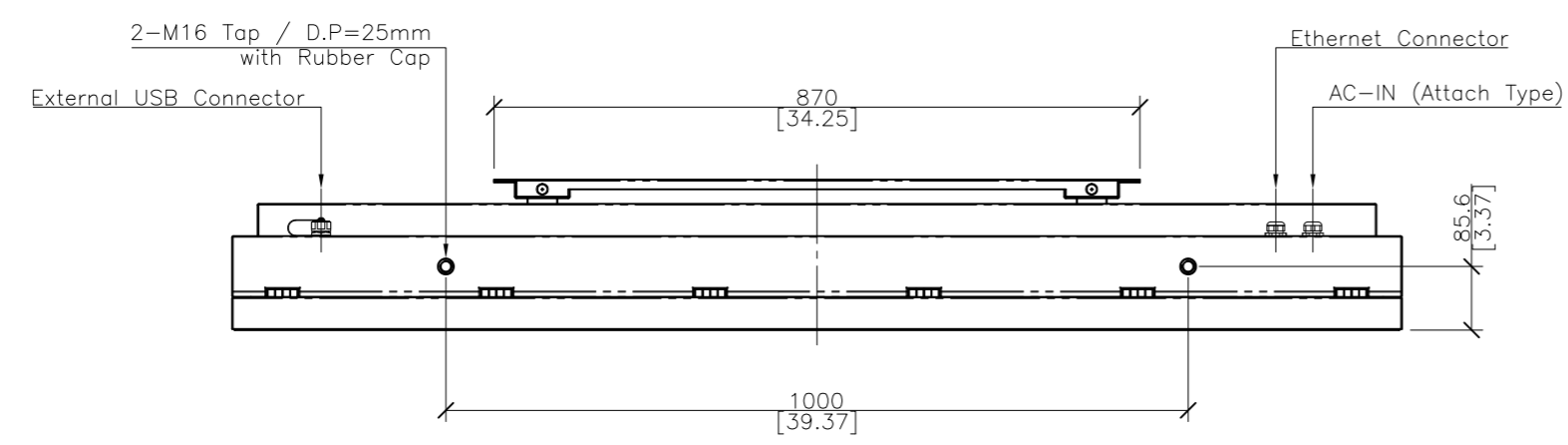


REV. NO		REV. HISTORY	LTR	ECO NO	DATE	APPR'L
DWG	PART					
00	00	INITIAL RELEASE	-	-	-	-

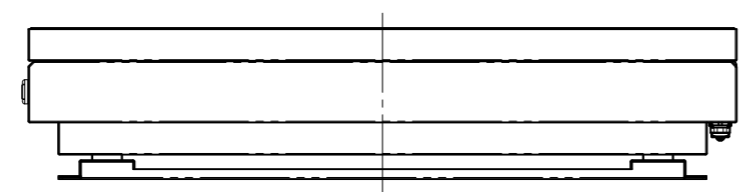
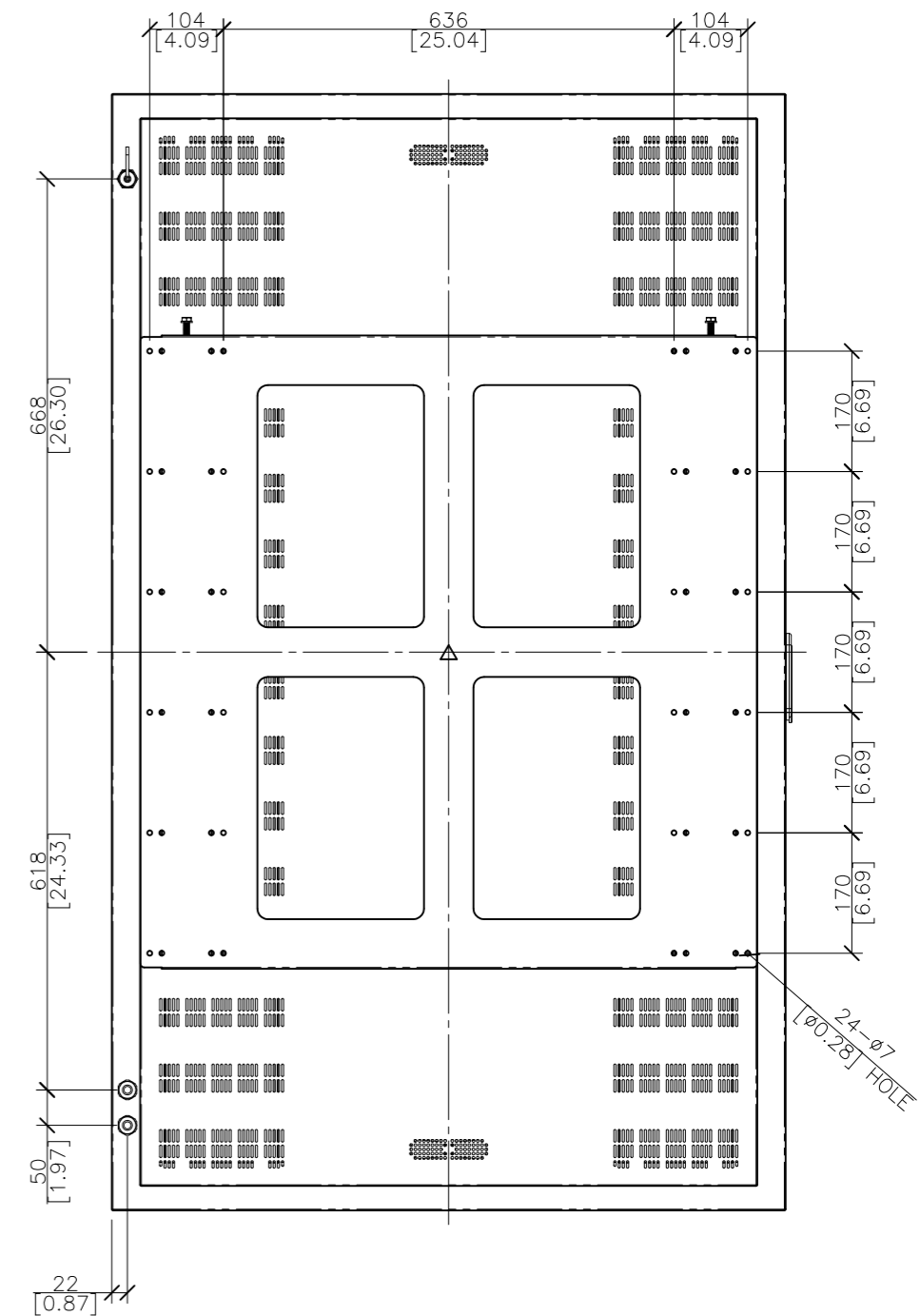
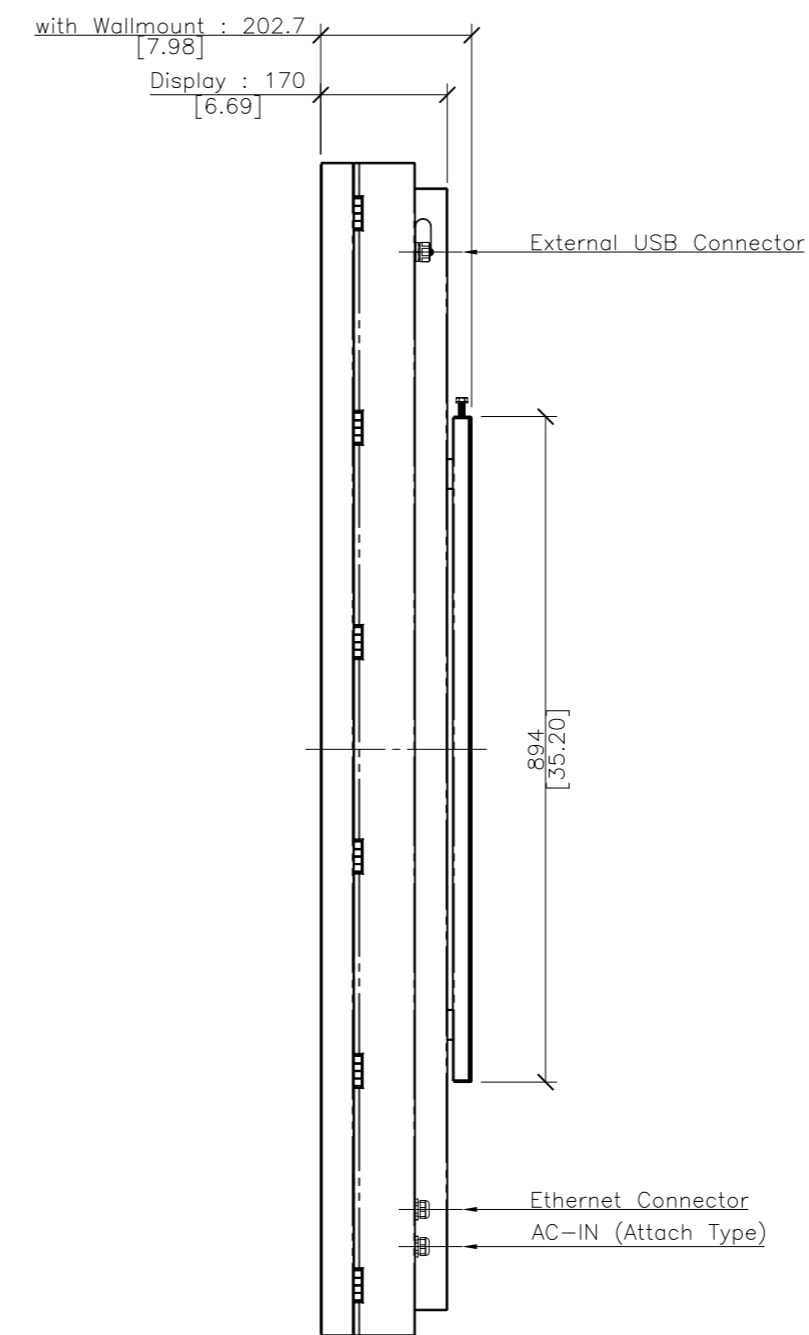
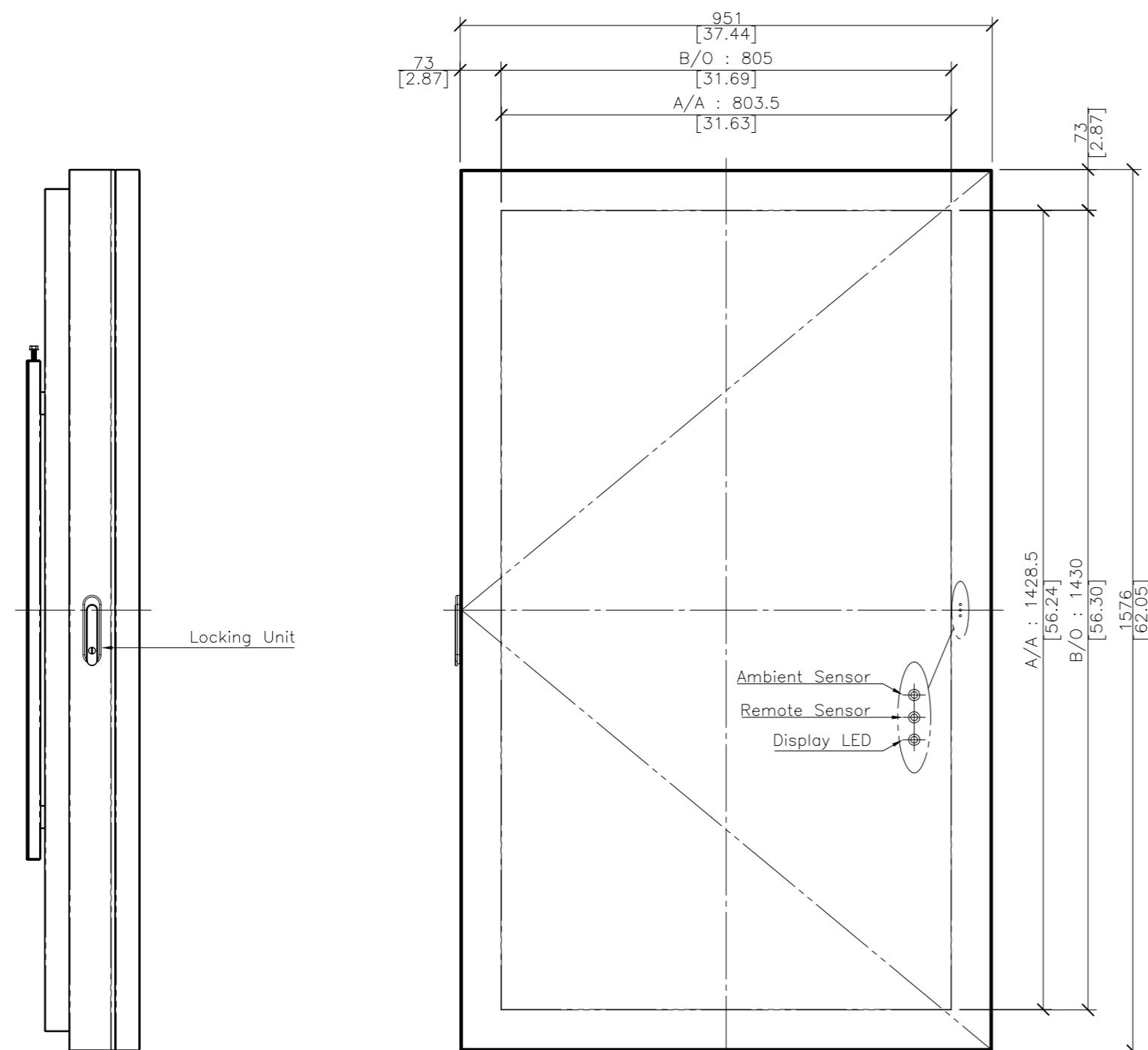
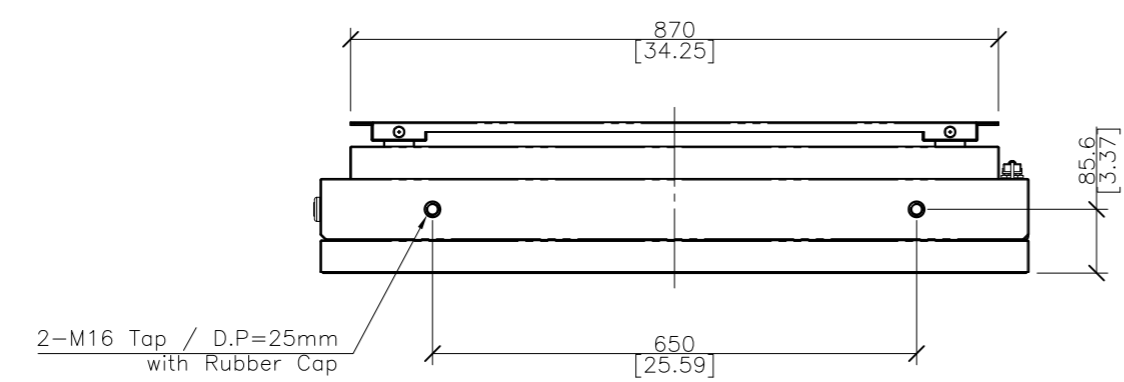


- NOTES**
- LCD Panel : 65"
  - Material : E.G.I
  - Cabinet Color : Black
  - Tempered Glass : 8.0T (Single AR)

This drawing is the property of HYUNDAI IT CO.,LTD. and should not be disclosed to any third party without prior permission of HYUNDAI IT CO.,LTD..

DRAWN	PLANNED	CHECKED	APPROVED	UNLESS OTHERWISE SPECIFIED ALL DIMENSION ARE IN MILLIMETERS	ANGLE 3rd.	TITLE : Q657MS (Landscape) EXTERIOR VIEW	UNIT : mm
S.H.JANG	S.H.JANG	S.H.JANG	Y.T.KIM		SCALE : 1/10		TYPE : ASSY
'17.07.10	'17.07.10	'17.07.10	'17.07.10	TOLERANCES ARE: LINEAR : X ± 0.20 X ± 0.1 XX ± 0.01 ANGLES : ± 0.1° RADI UNLESS NOTED : R 0.3	DWG REV : 00	DWG(PART) NO. Q657MS_001	SIZE : A2
<b>HYUNDAI IT CO.,LTD.</b>				MODEL NAME (CODE): Q657MS	CUSTOMER: HDT	SHT NO : 1/1	

REV. NO		REV. HISTORY	LTR	ECO NO	DATE	APPR'L
DWG	PART					
00	00	INITIAL RELEASE	-	-	-	-



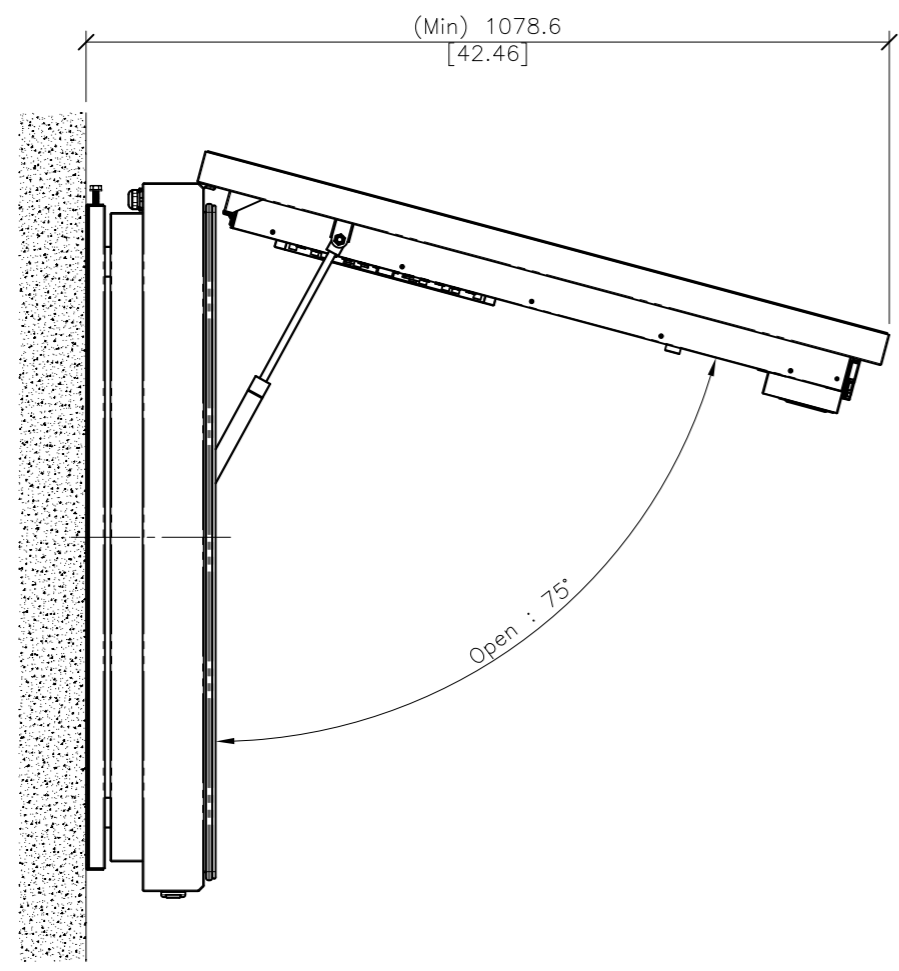
**NOTES**

1. LCD Panel : 65"
2. Material : E.G.I
3. Cabinet Color : Black
4. Tempered Glass : 8.0T (Single AR)

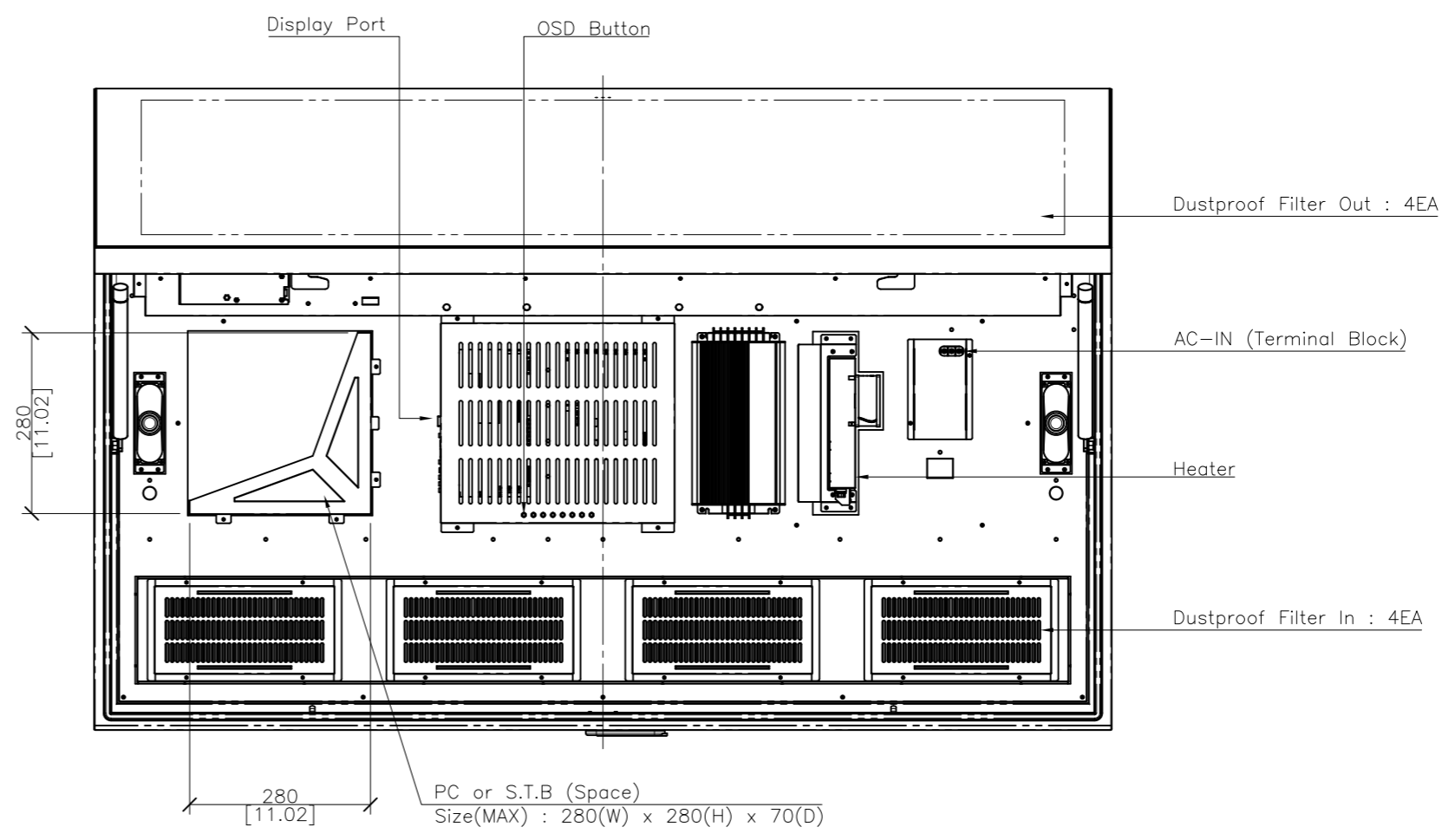
DRAWN	PLANNED	CHECKED	APPROVED	UNLESS OTHERWISE SPECIFIED ALL DIMENSION ARE IN MILLIMETERS	ANGLE 3rd.	TITLE : Q657MS (Portrait) EXTERIOR VIEW	UNIT : mm
S.H.JANG	S.H.JANG	S.H.JANG	Y.T.KIM	TOLERANCES ARE: LINEAR : X ± 0.20 X ± 0.1 XX ± 0.01 ANGLES : ± 0.1° RADIUS UNLESS NOTED : R 0.3	SCALE : 1/10		TYPE : ASSY
'17.07.10	'17.07.10	'17.07.10	'17.07.10	MODEL NAME (CODE): Q657MS	CUSTOMER: HDT	DWG REV : 00	SIZE : A2
<b>HYUNDAI IT CO., LTD.</b>				FILE NAME : LAYOUT_Q657M_171114.DWG	SHT NO : 1/1	DWG(PART) NO. Q657MS_002	

This drawing is the property of HYUNDAI IT CO.,LTD. and should not be disclosed to any third party without prior permission of HYUNDAI IT CO.,LTD..

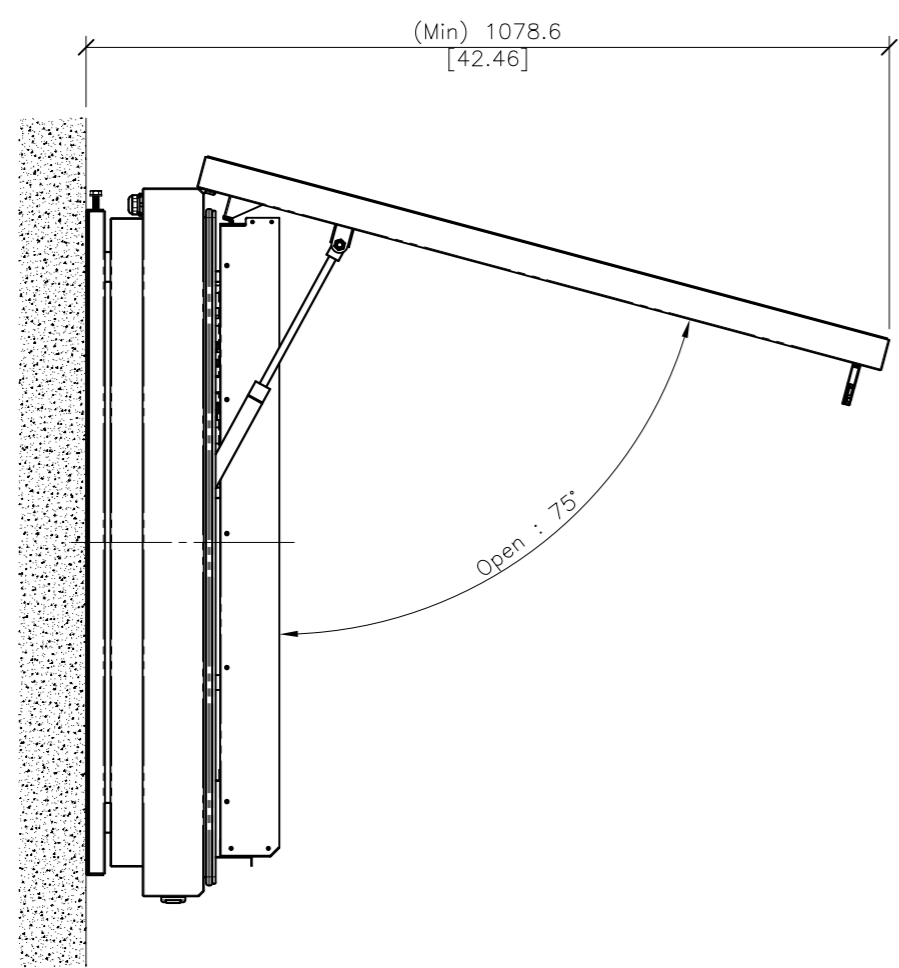
REV. NO		REV. HISTORY	LTR	ECO NO	DATE	APPR'L
DWG	PART					
00	00	INITIAL RELEASE	-	-	-	-



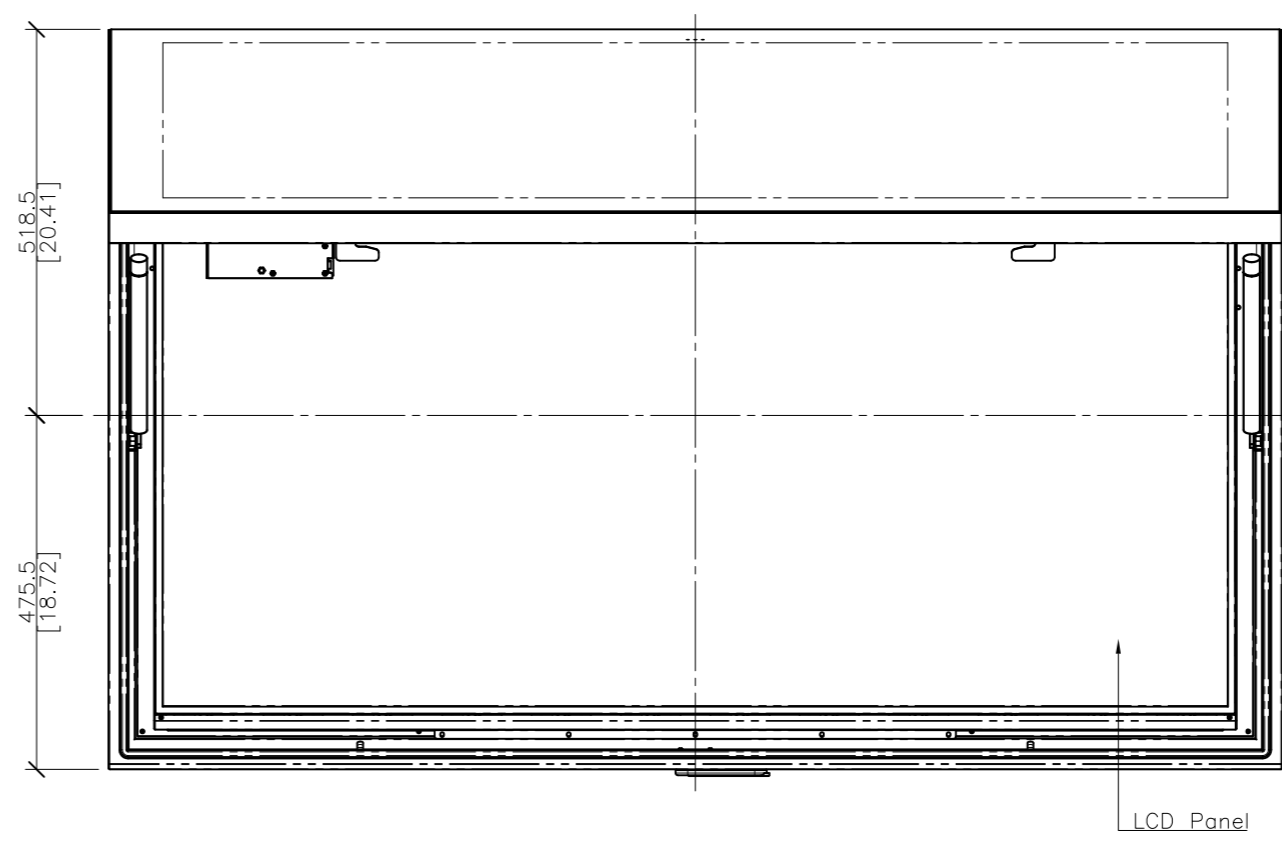
Door Open (Side view)



Door Open (Front view)



LCD Panel Open (Side view)



LCD Panel Open (Front view)

This drawing is the property of HYUNDAI IT CO.,LTD. and should not be disclosed to any third party without prior permission of HYUNDAI IT CO.,LTD..

DRAWN	PLANNED	CHECKED	APPROVED	UNLESS OTHERWISE SPECIFIED ALL DIMENSION ARE IN MILLIMETERS	ANGLE 3rd.	TITLE :	UNIT : mm
S.W.SEO	S.H.JANG	S.H.JANG	Y.T.KIM	TOLERANCES ARE: LINEAR : X ± 0.20 X ± 0.1 XX ± 0.01 ANGLES : ± 0.1° RADI UNLESS NOTED : R 0.3	SCALE : 1/10	Q657MS (Open) EXTERIOR VIEW	TYPE : ASSY
'18.09.28	'18.09.28	'18.09.28	'18.09.28			DWG(PART) NO. Q657MS_003	SIZE : A2
<b>HYUNDAI IT CO.,LTD.</b>				MODEL NAME (CODE): Q657MS	CUSTOMER: HDT	DWG REV : 00	
				FILE NAME : LAYOUT_Q657M_171114.DWG		SHT NO : 1/1	