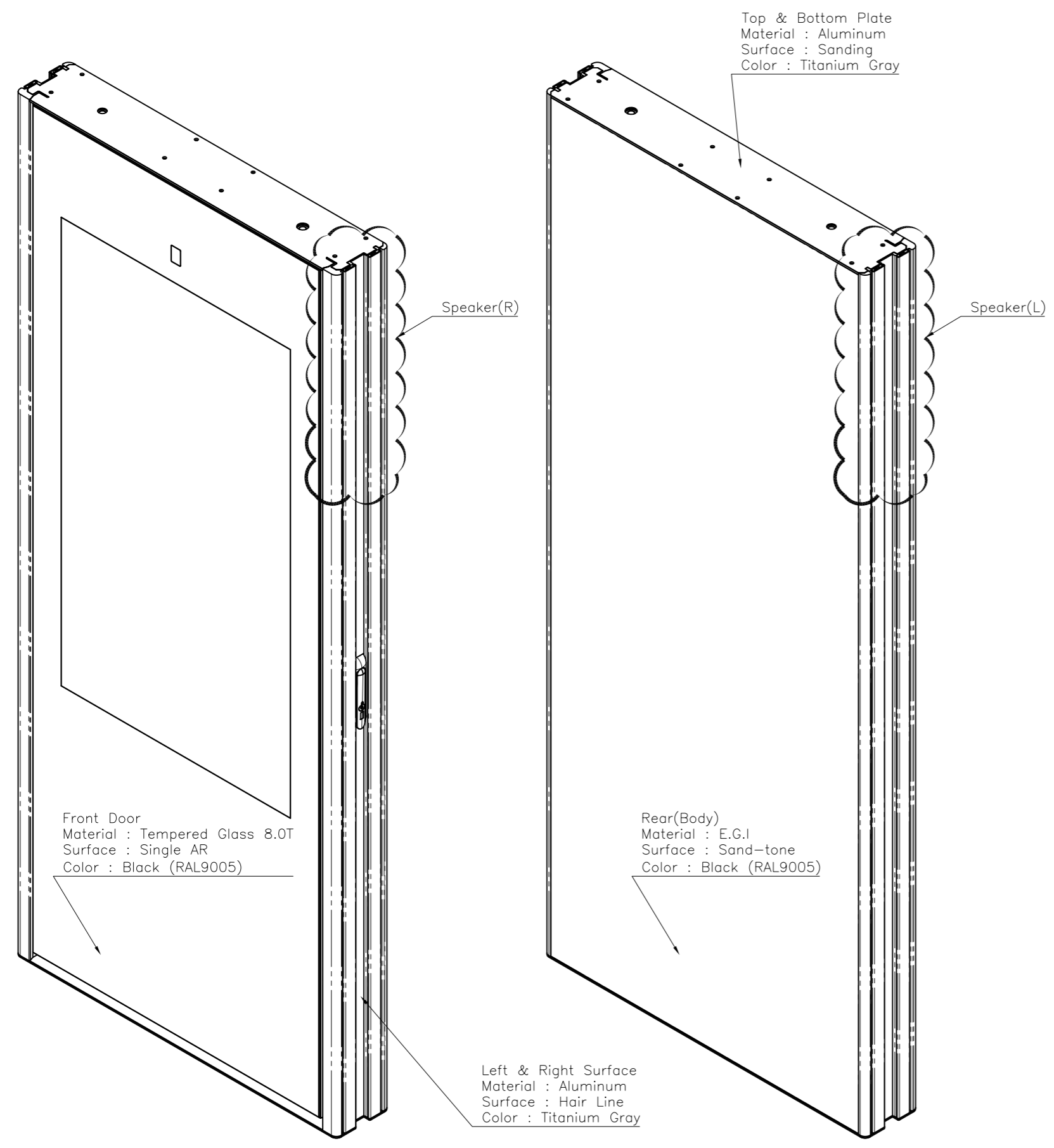
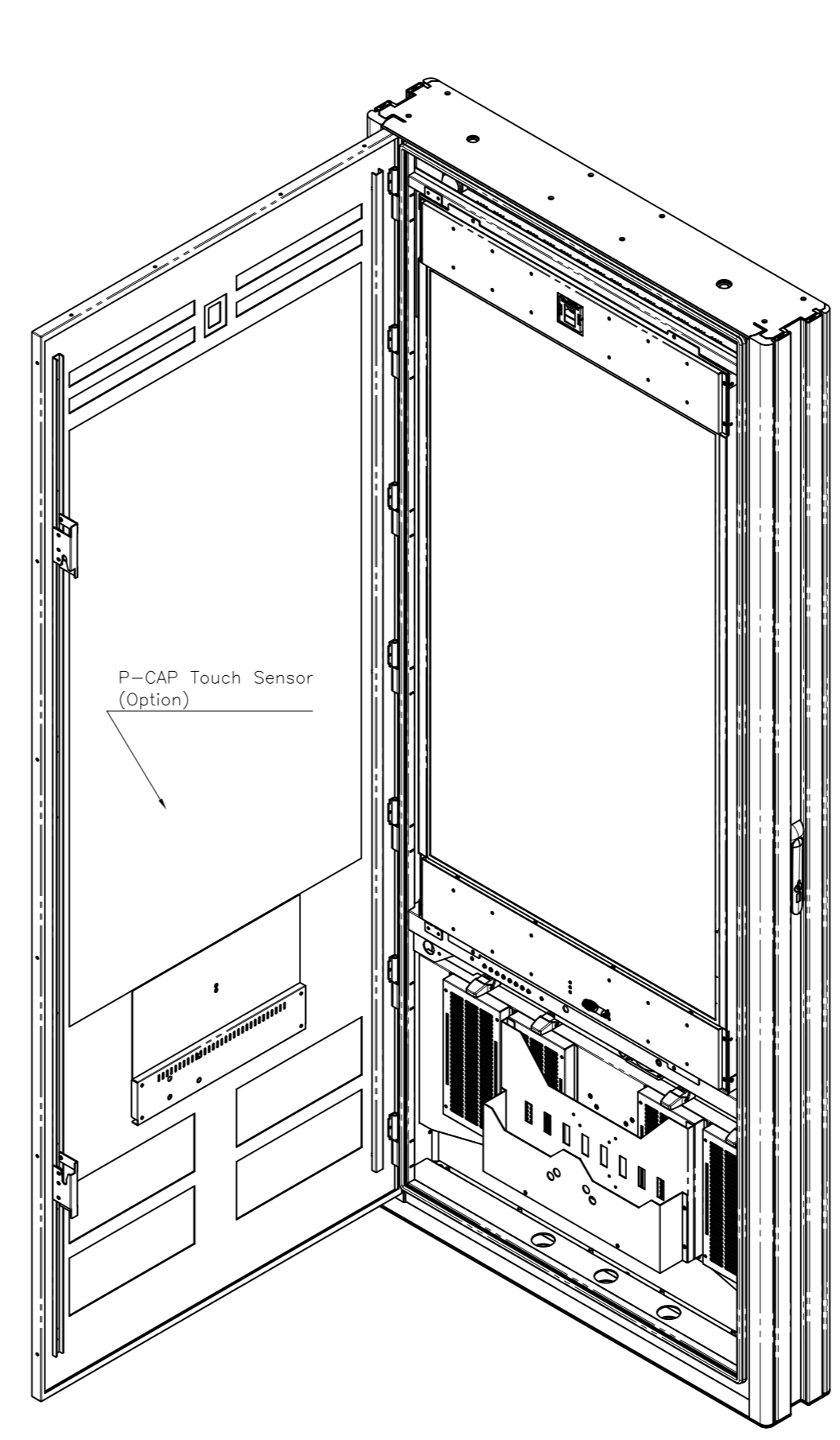


REV. NO		REV. HISTORY	LTR	ECO NO	DATE	APPR'L
DWG	PART					
00	00	INITIAL RELEASE	-	-	-	-

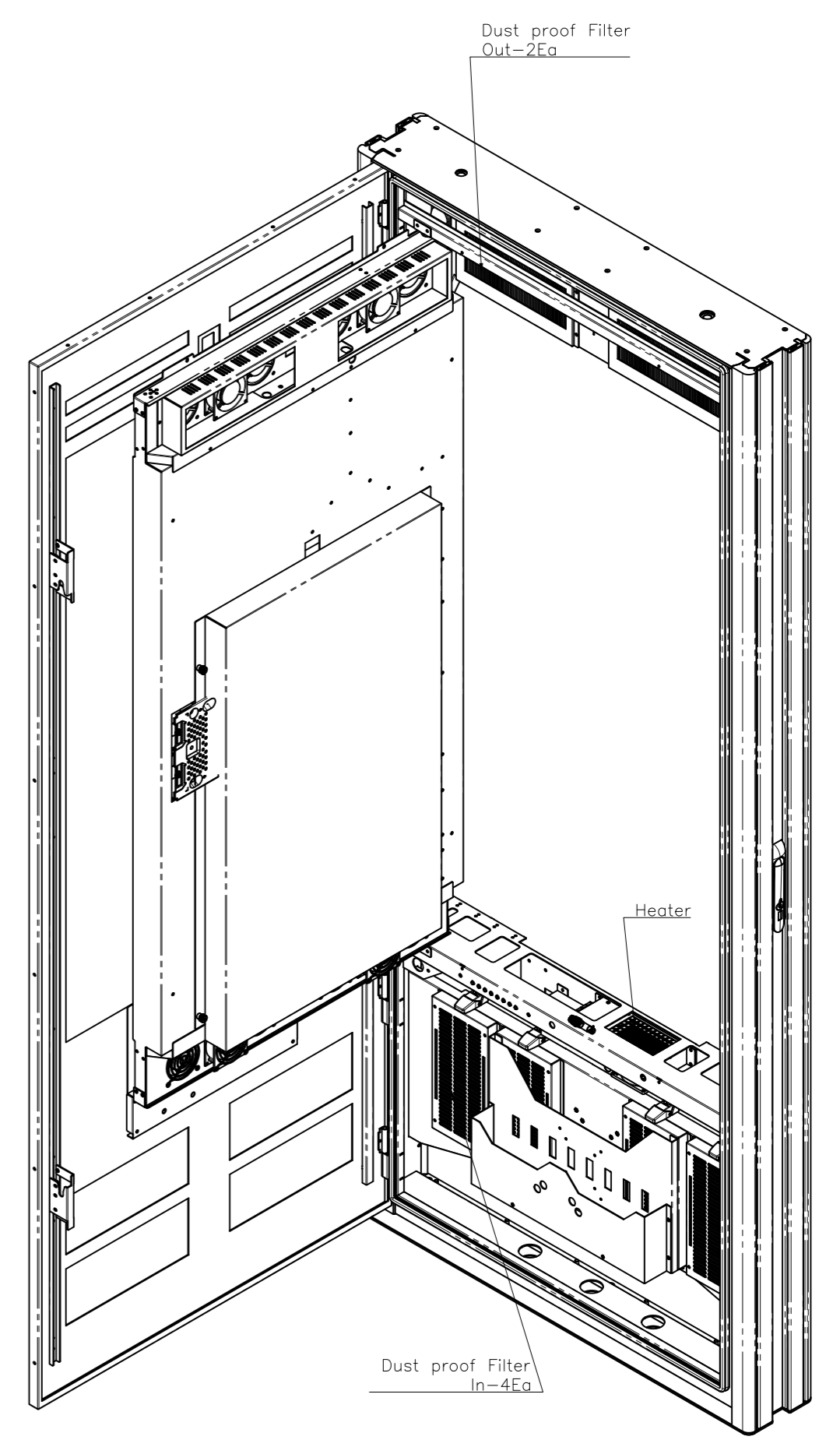


FRONT ISO VIEW

REAR ISO VIEW



DOOR\_OPEN ISO VIEW



LCD\_OPEN ISO VIEW

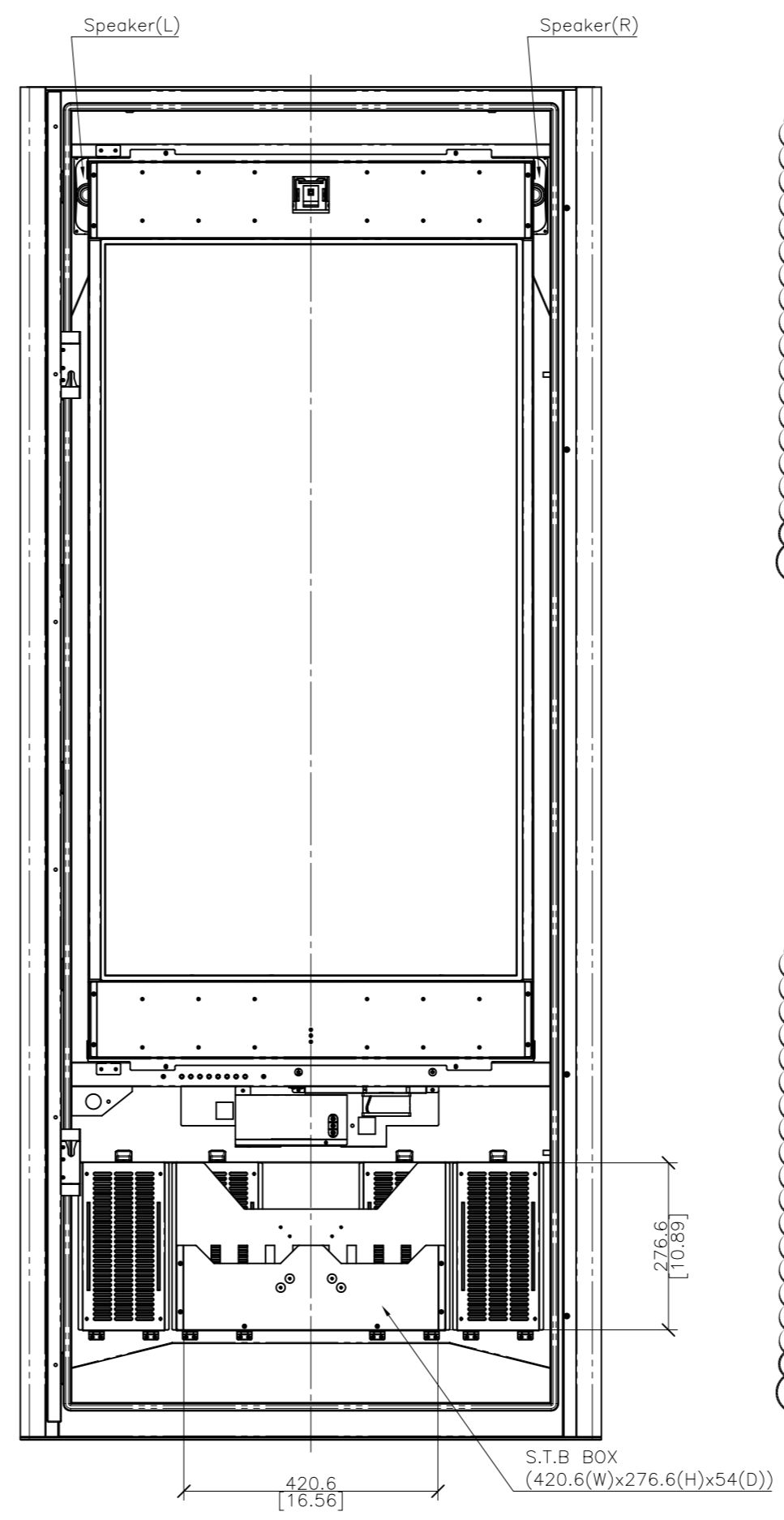
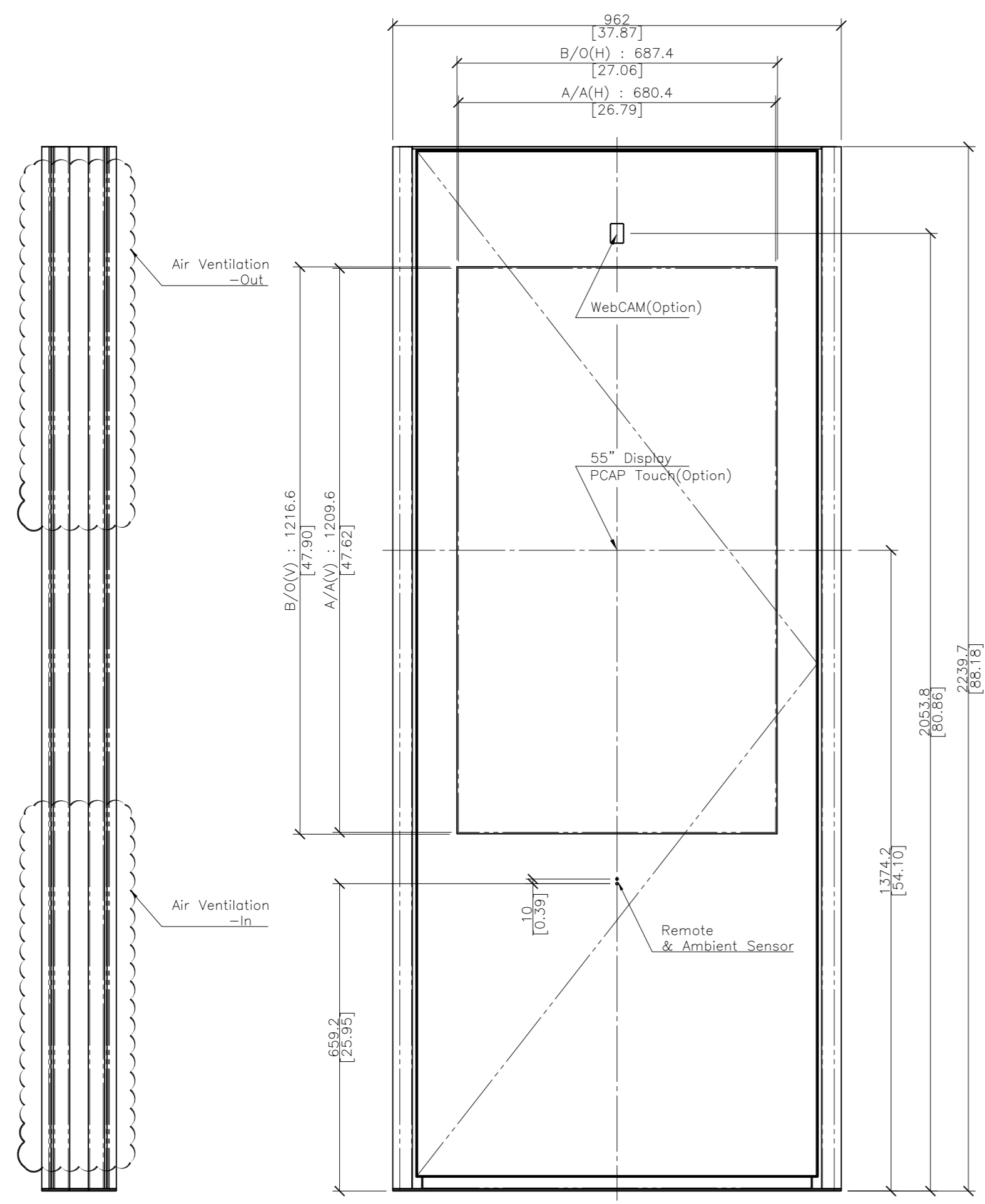
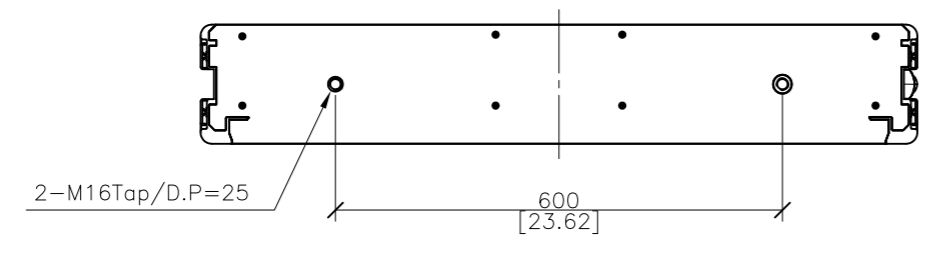
This drawing is the property of HYUNDAI IT CO., LTD. and should not be disclosed to any third party without prior permission of HYUNDAI IT CO., LTD.

**NOTES,**

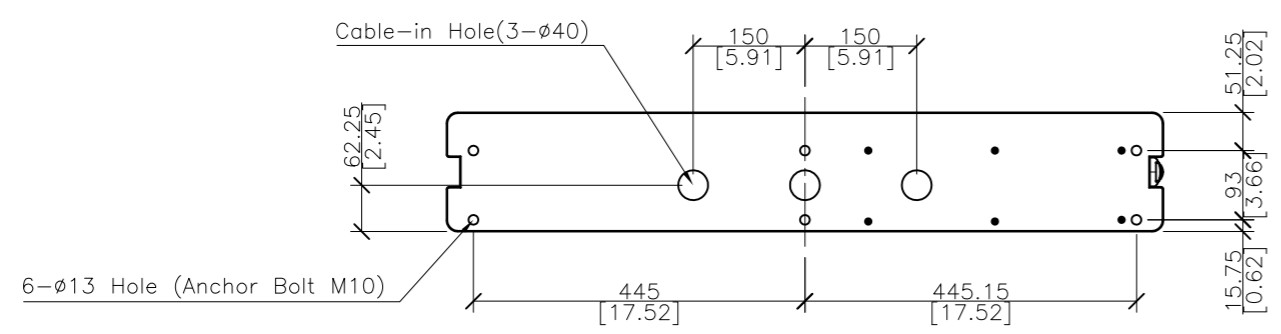
1. Cable Entry : Cable Gland("IP66" or more certified products should be used)

DRAWN	PLANNED	CHECKED	APPROVED	UNLESS OTHERWISE SPECIFIED ALL DIMENSION ARE IN MILLIMETERS	ANGLE	TITLE :	UNIT :
S.H.JANG	S.H.JANG	-	Y.T.KIM		3rd.		
'19.05.07	'19.05.07	-	'19.05.07	TOLERANCES ARE: LINEAR: X ± 0.20 X ± 0.1 XX ± 0.01	SCALE:	DWG(PART) NO.	SIZE :
				ANGLES: ± 0.1° RADI UNLESS NOTED: R 0.3	1/10		
HYUNDAI IT CO., LTD.				MODEL NAME (CODE): Q557SS	CUSTOMER:	DWG REV:	
				FILE NAME: LAYOUT_Q557SS_190507.DWG	-	01	
					SHT NO:	1/1	

REV. NO		REV. HISTORY	LTR	ECO NO	DATE	APPR'L
DWG	PART					
00	00	INITIAL RELEASE	-	-	-	-



Open View



NOTES,  
1. Cable Entry : Cable Gland("IP66" or more certified products should be used)

DRAWN	PLANNED	CHECKED	APPROVED	UNLESS OTHERWISE SPECIFIED ALL DIMENSION ARE IN MILLIMETERS	ANGLE 3rd.	TITLE	UNIT
S.H.JANG	S.H.JANG	-	Y.T.KIM	TOLERANCES ARE: LINEAR : X ± 0.20 X ± 0.1 XX ± 0.01 ANGLES : ± 0.1° RADIUS UNLESS NOTED : R 0.3	SCALE : 1/10	Q557SS EXTERIOR VIEW	mm
'19.05.07	'19.05.07	-	'19.05.07			DWG(PART) NO. Q557SS_002	TYPE : ASSY
HYUNDAI IT CO., LTD.				MODEL NAME (CODE): Q557SS	CUSTOMER : -	DWG REV : 01	SIZE : A2
				FILE NAME : LAYOUT_Q557SS_190507.DWG		SHT NO : 1/1	