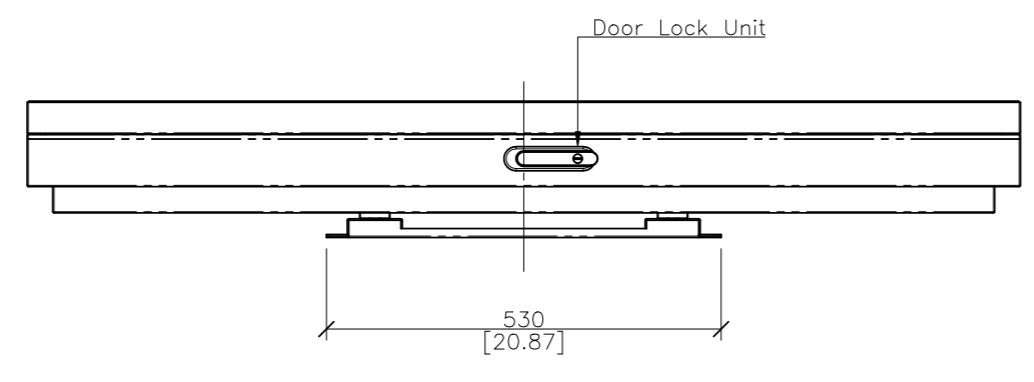
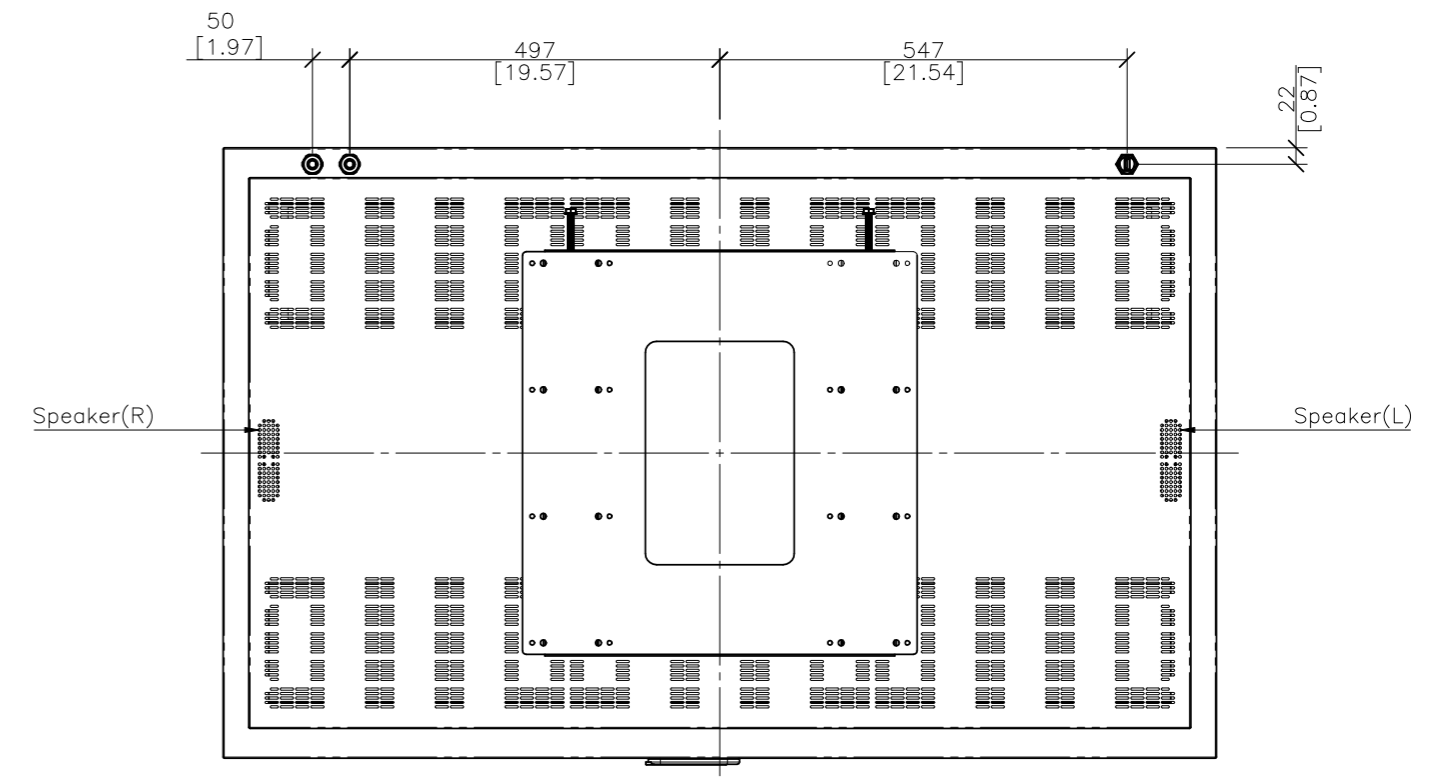
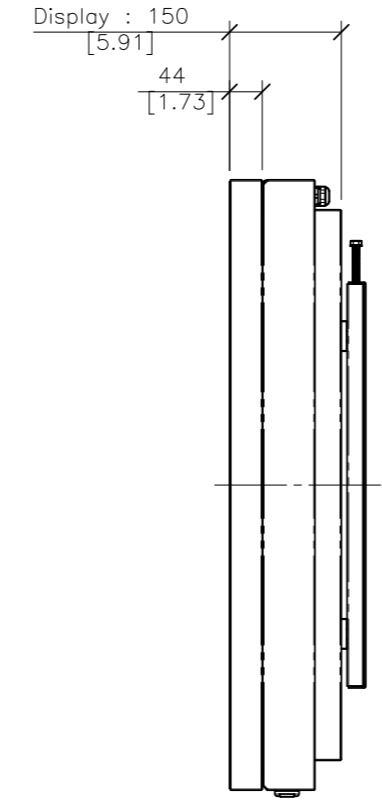
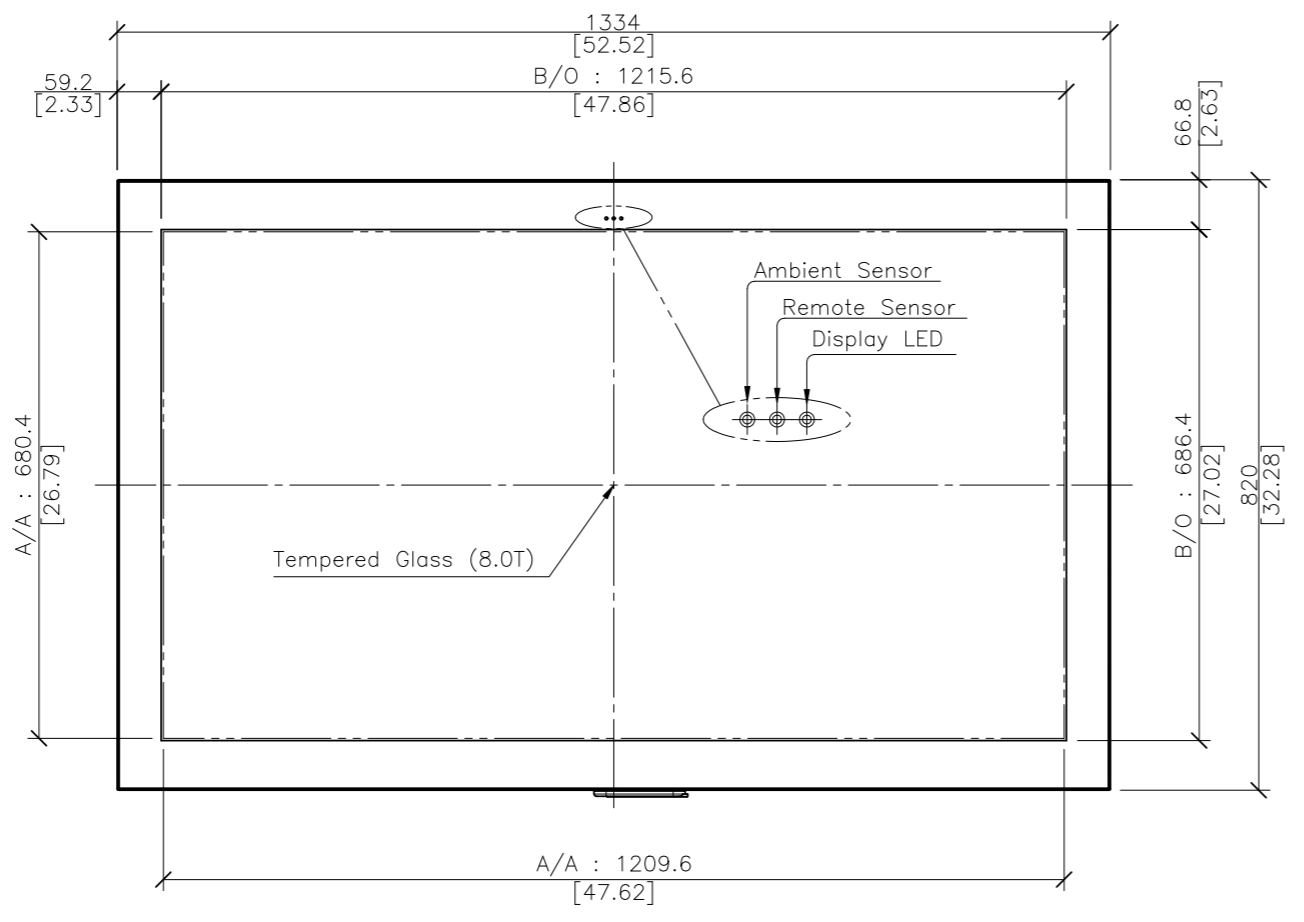
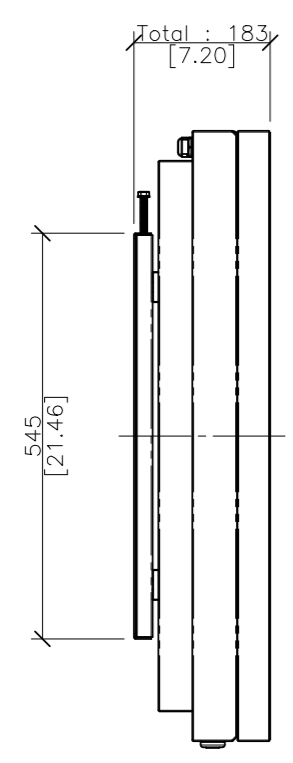
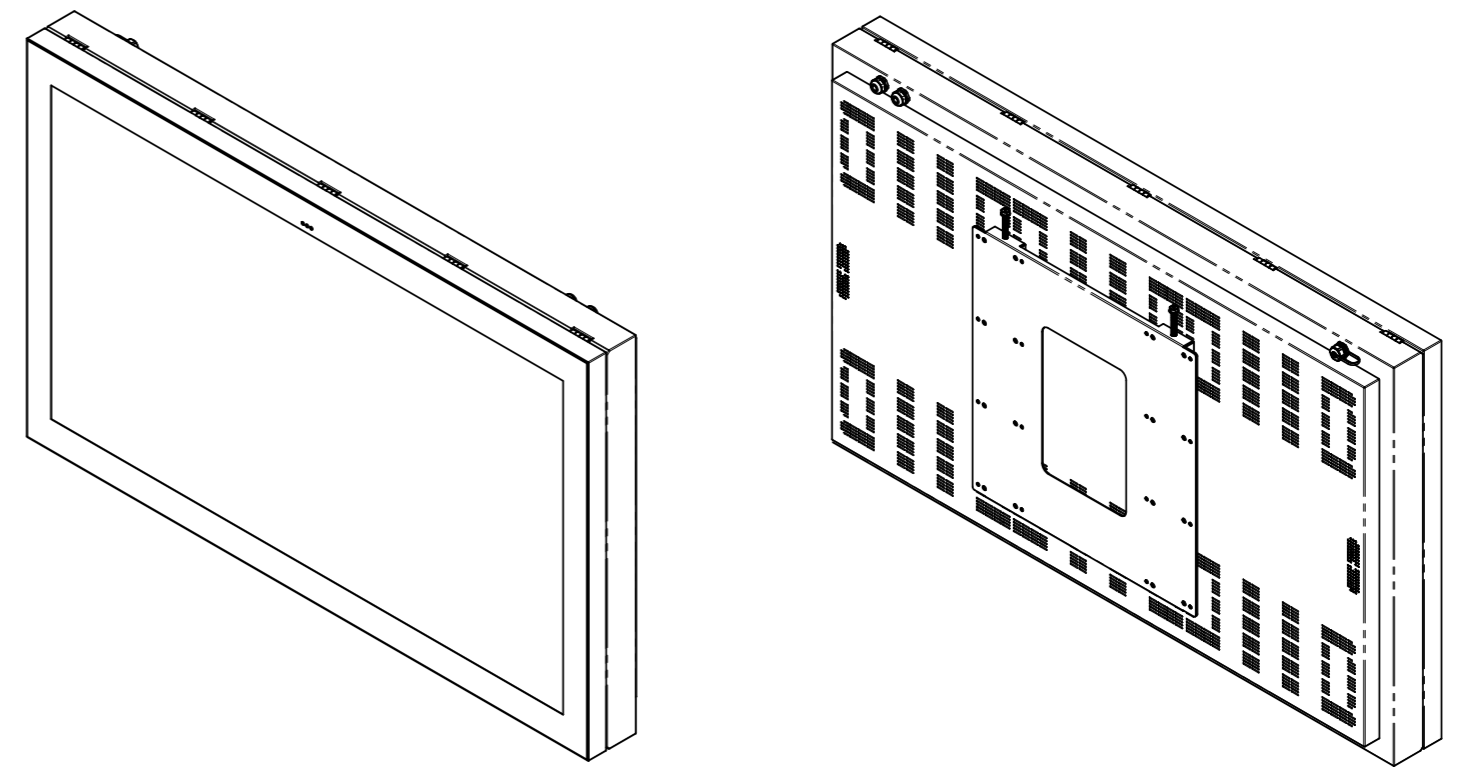
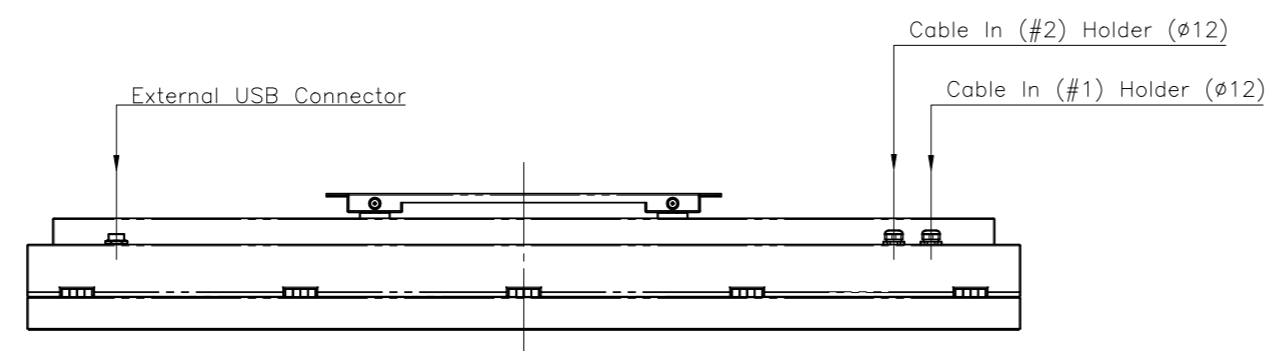


REV. NO		REV. HISTORY	LTR	ECO NO	DATE	APPR'L
DWG	PART					
00	00	INITIAL RELEASE	-	-	-	-

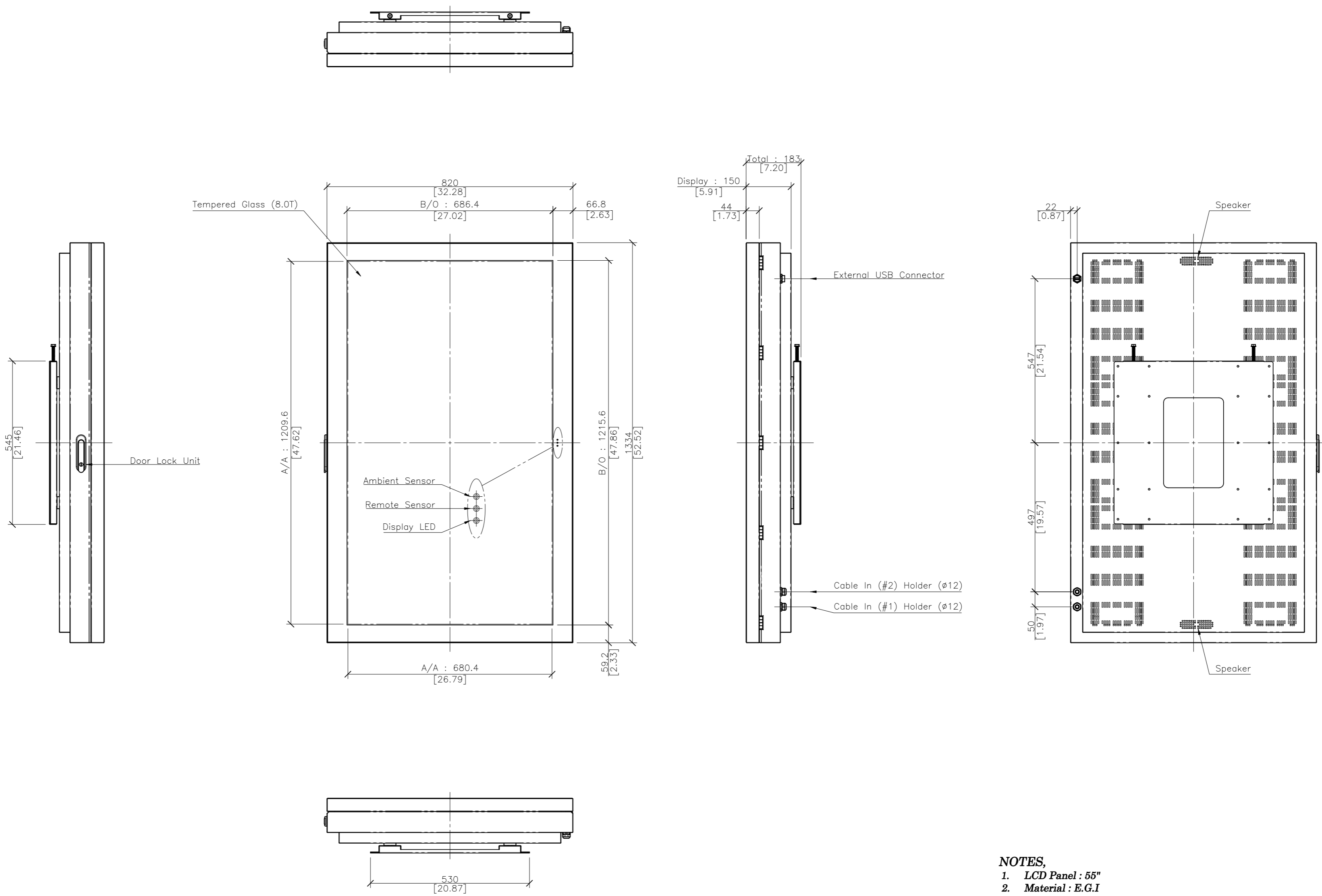


- NOTES**
- LCD Panel : 55"
 - Material : E.G.I
 - Color : BLACK

DRAWN	PLANNED	CHECKED	APPROVED	UNLESS OTHERWISE SPECIFIED ALL DIMENSION ARE IN MILLIMETERS	ANGLE: 3rd.	TITLE : Q557MS (Landscape) EXTERIOR VIEW	UNIT : mm
S.W.SEO	S.H.JANG	S.H.JANG	Y.T.KIM	TOLERANCES ARE : LINEAR : X ± 0.20 X ± 0.1 XX ± 0.01 ANGLE : ± 0.1° RADI UNLESS NOTED : R 0.3	SCALE : 1/10		TYPE : ASSY
'22.02.14	'22.02.14	'22.02.14	'22.02.14	MODEL NAME (CODE): Q557MS_AUO	CUSTOMER: HDIT	DWG REV : 00	SIZE : A2
HYUNDAI IT CO., LTD.				FILE NAME : LAYOUT_Q557M_220214.DWG	SHT NO : 1/1	DWG(PART) NO. Q557MS_A01	

A B C D E F G H I J K L

REV. NO		REV. HISTORY	LTR	ECO NO	DATE	APPR'L
DWG	PART					
00	00	INITIAL RELEASE	-	-	-	-



- NOTES**
1. LCD Panel : 55"
 2. Material : E.G.I
 3. Color : BLACK

This drawing is the property of HYUNDAI IT CO., LTD. and should not be disclosed to any third party without prior permission of HYUNDAI IT CO., LTD.

DRAWN	PLANNED	CHECKED	APPROVED	UNLESS OTHERWISE SPECIFIED ALL DIMENSION ARE IN MILLIMETERS	ANGLE 3rd.	TITLE : Q557MS (Portrait) EXTERIOR VIEW	UNIT : mm
S.W.SEO	S.H.JANG	S.H.JANG	Y.T.KIM		SCALE : 1/10		TYPE : ASSY
'22.02.14	'22.02.14	'22.02.14	'22.02.14	TOLERANCES ARE : LINEAR : X ± 0.20 X ± 0.1 XX ± 0.01 ANGLES : ± 0.1° RADI UNLESS NOTED : R 0.3			
HYUNDAI IT CO., LTD.			MODEL NAME (CODE): Q557MS_AUO	CUSTOMER: HDIT	DWG REV : 00	DWG(PART) NO. Q557MS_A02	SIZE : A2
			FILE NAME : LAYOUT_Q557M_220214.DWG		SHT NO : 1/1		