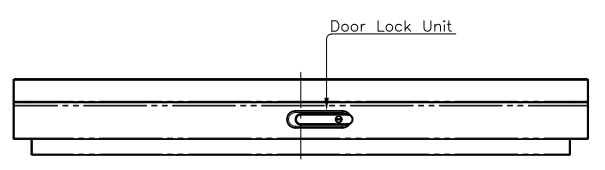
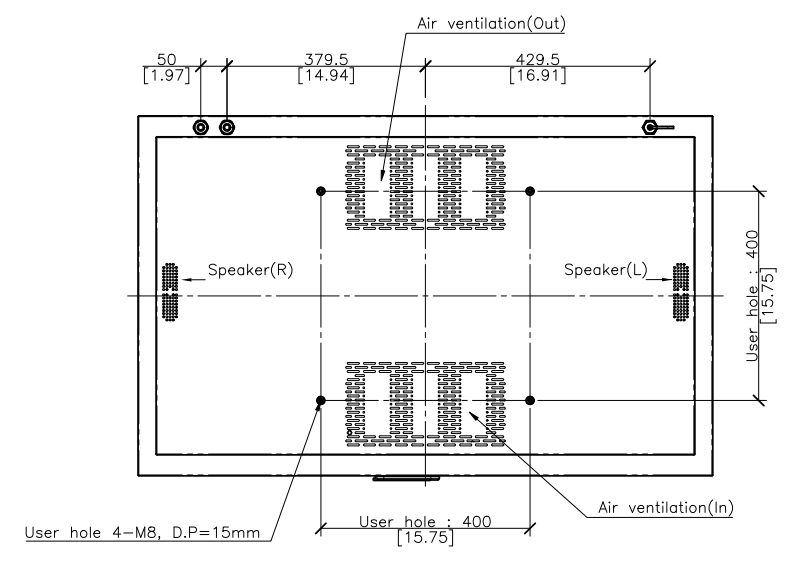
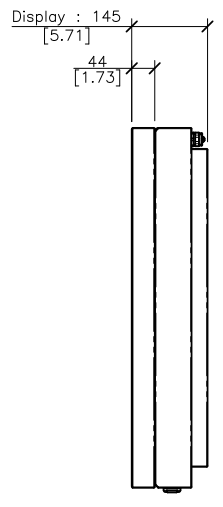
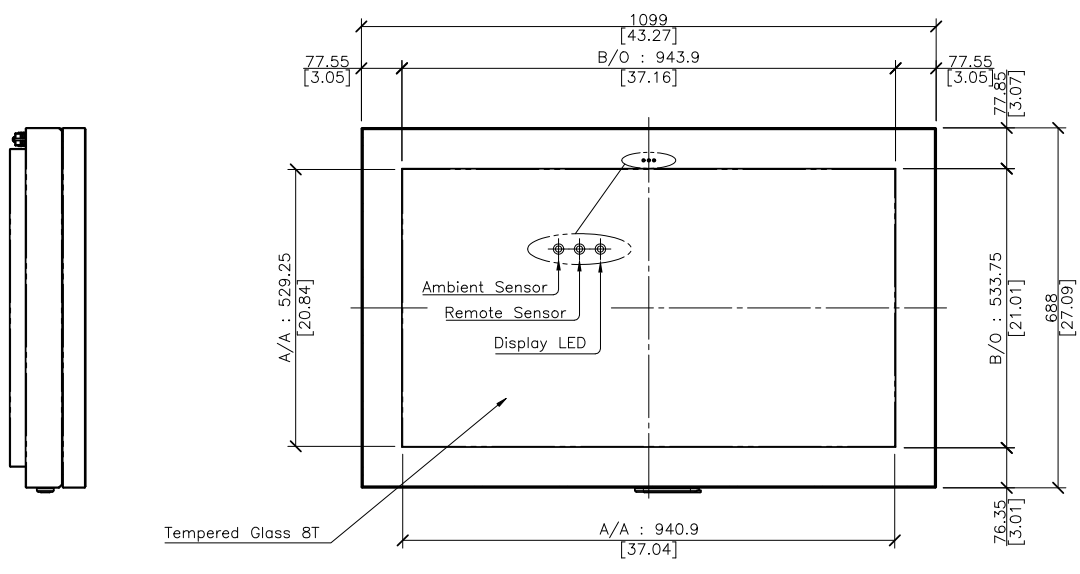
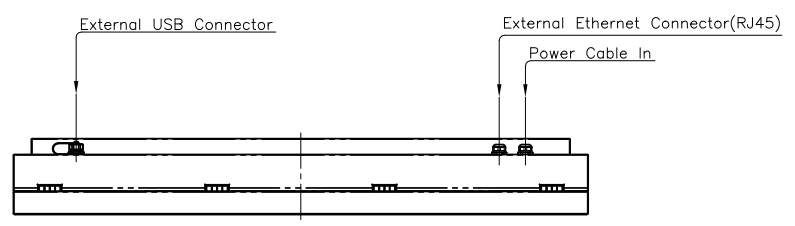
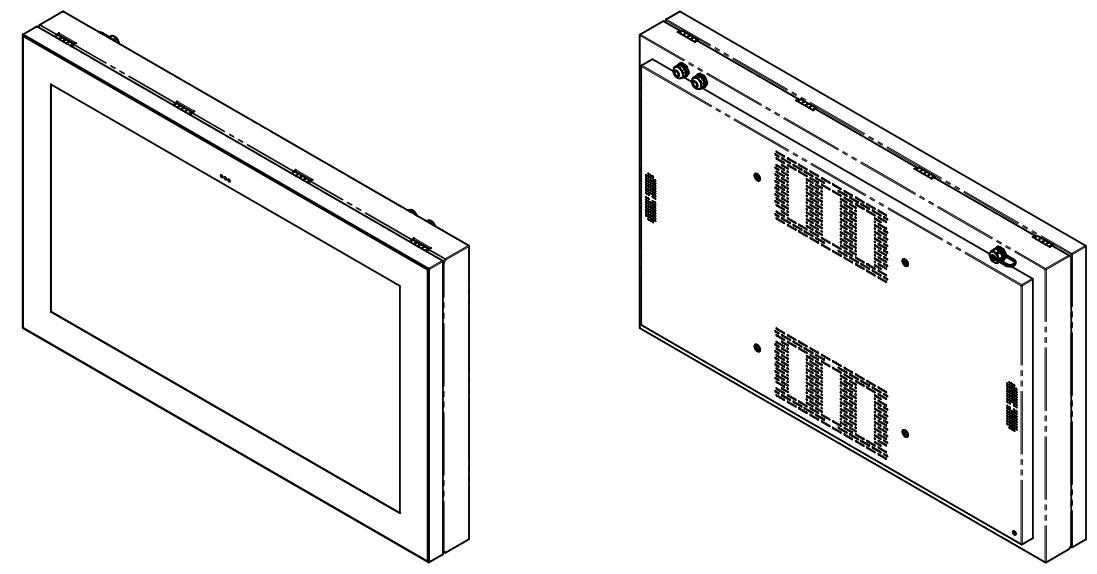


REV. NO		REV. HISTORY	LTR	ECO NO	DATE	APPR'L
DWG	PART					
00	00	INITIAL RELEASE	-	-	-	-



- NOTES**
1. LCD Panel : 1,500nits
  2. Material : E.G.I
  3. Cabinet Color : Black / Glass Color : Silk Printing(Black)
  4. Tempered Glass : 8.0T
  5. Ingress Protection : IP65

DRAWN	PLANNED	CHECKED	APPROVED	UNLESS OTHERWISE SPECIFIED ALL DIMENSION ARE IN MILLIMETERS	ANGLE 3rd.	TITLE :	UNIT :
S.H.JANG	S.H.JANG		Y.T.KIM	TOLERANCES ARE : LINEAR: X ± 0.20 X ± 0.1 XX ± 0.01 ANGLES: ± 0.1° RADI: UNLESS NOTED: R 0.3	SCALE : 1/10	Q433MSG EXTERIOR VIEW	mm
23.02.23	23.02.23		23.02.23				TYPE : ASSY
HYUNDAI IT CO., LTD.				MODEL NAME (CODE): Q433MSG	CUSTOMER:	DWG REV.: 00	SIZE : A2
				FILE NAME: LAYOUT_Q433MSG_230223.DWG		DWG(PART) NO. Q433MSG_001	
						SHT NO : 1/1	

This drawing is the property of HYUNDAI IT CO., LTD. and should not be disclosed to any third party without prior permission of HYUNDAI IT CO., LTD.