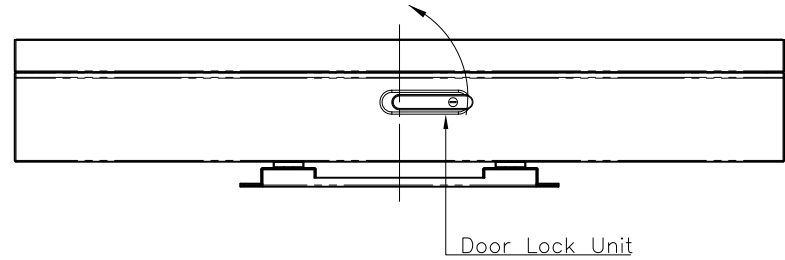
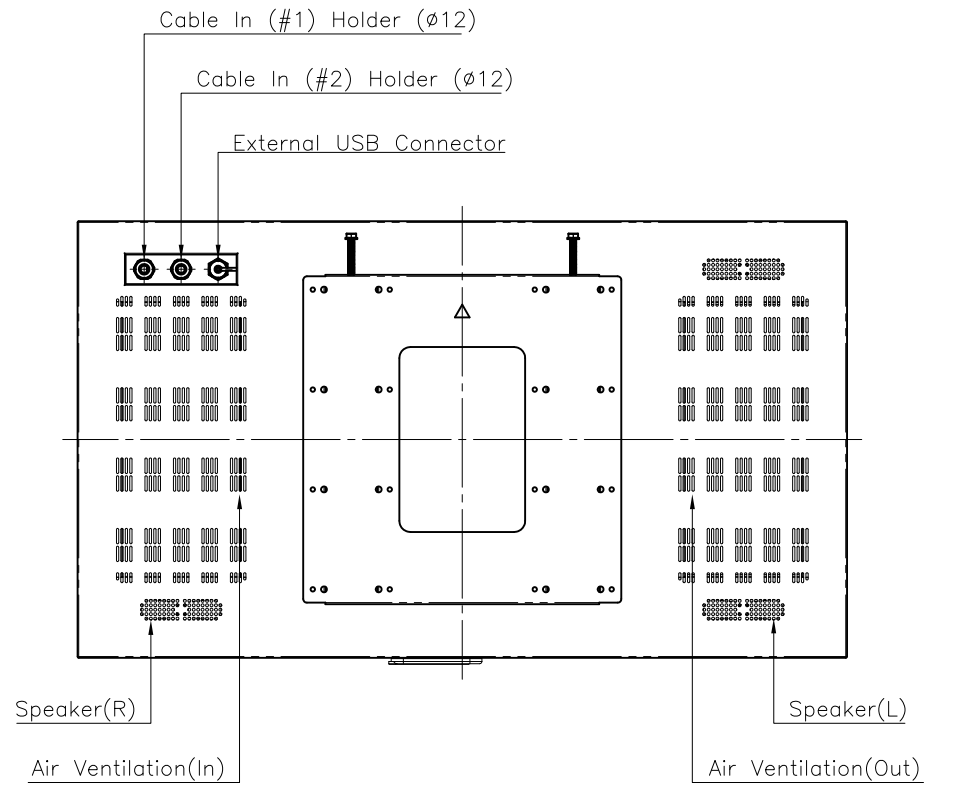
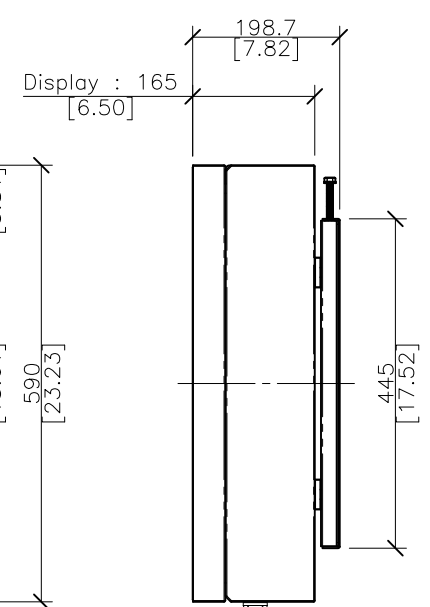
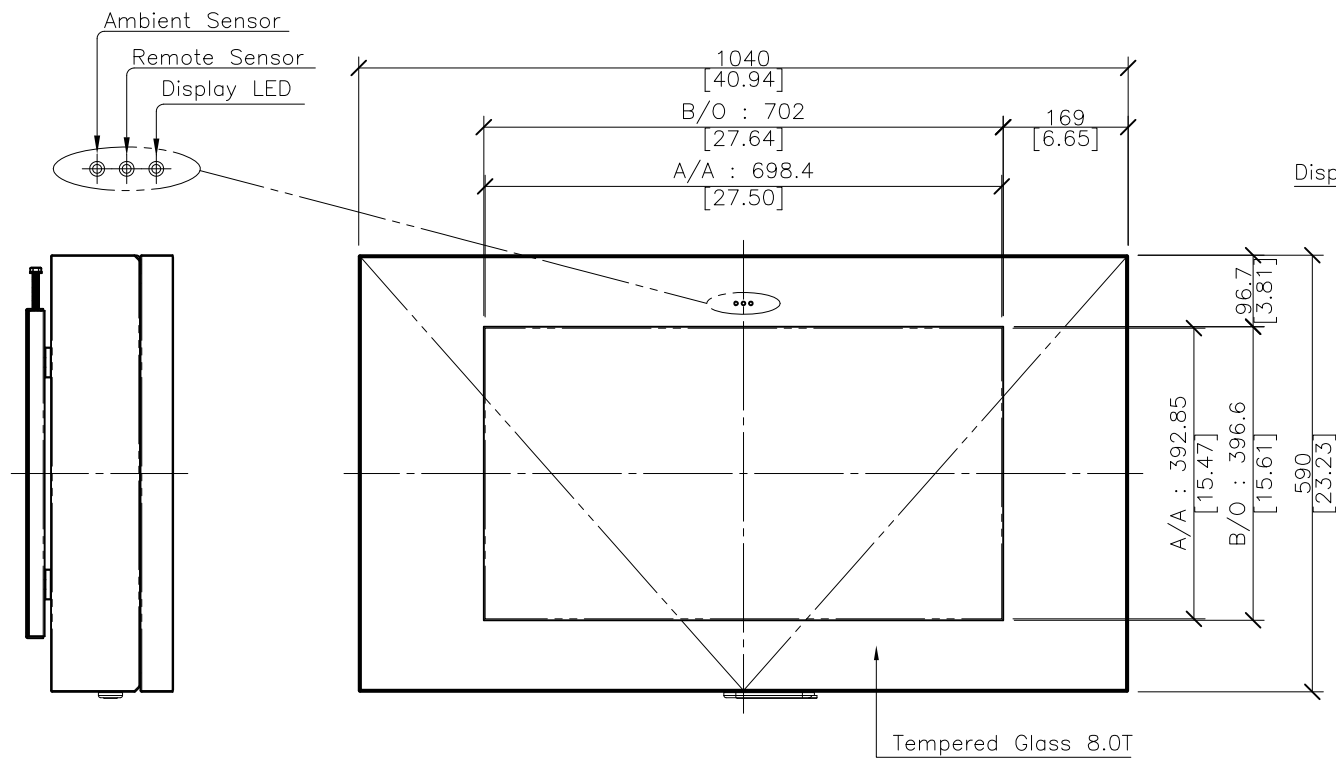
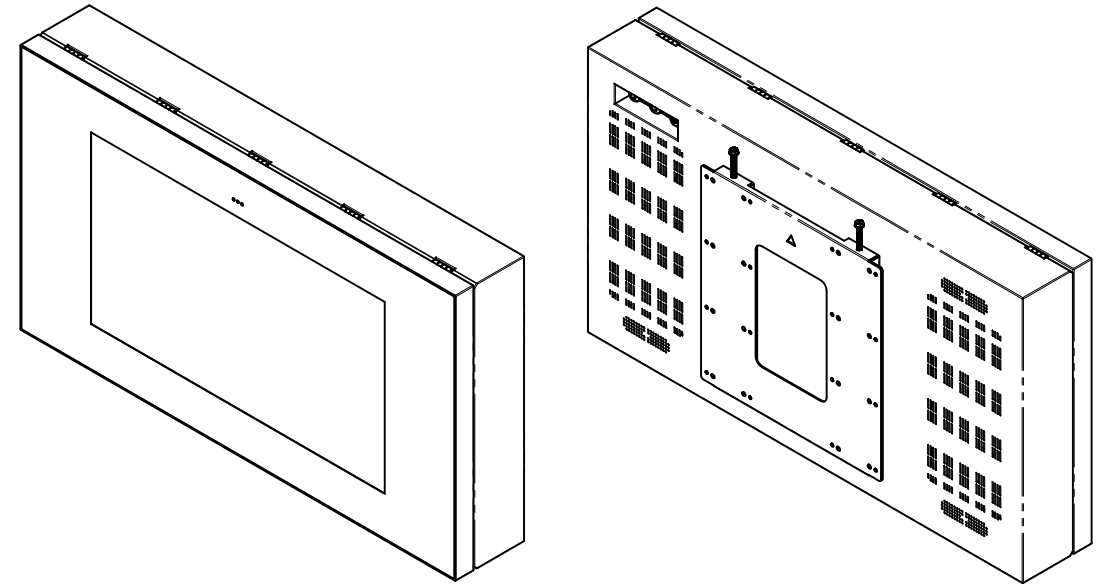
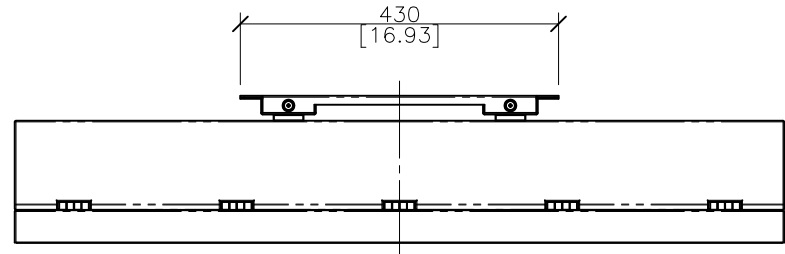


This drawing is the property of HYUNDAI IT CO., LTD. and should not be disclosed to any third party without prior permission of HYUNDAI IT CO., LTD.

REV. NO		REV. HISTORY	LTR	ECO NO	DATE	APPR'L
DWG	PART					
00	00	INITIAL RELEASE	-	-	-	-

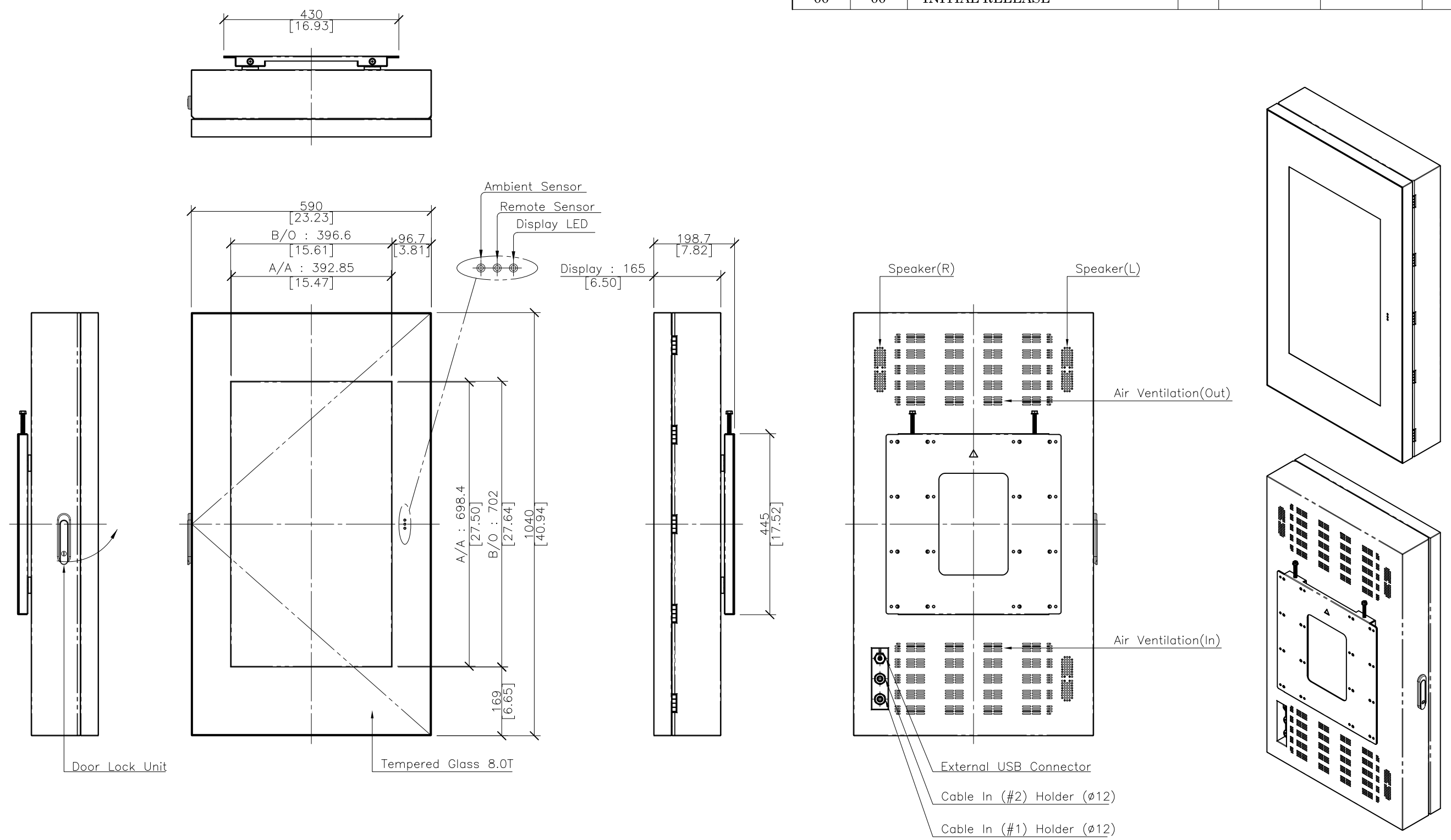


- NOTES,**
- LCD Panel : 32"
  - Material : E.G.I (Steel)
  - Tempered Glass : 8.0t (Single AR)

DRAWN	PLANNED	CHECKED	APPROVED	UNLESS OTHERWISE SPECIFIED ALL DIMENSION ARE IN MILLIMETERS	ANGLE 3rd.	TITLE : Q327MS(LANDSCAPE) EXTERIOR VIEW	UNIT : mm
S.W.SEO	S.H.JANG	S.H.JANG	Y.T.KIM		SCALE : 1/10		TYPE : ASSY
'20.02.03	'20.02.03	'20.02.03	'20.02.03	TOLERANCES ARE : LINEAR : X ± 0.2 .X ± 0.1 .XX ± 0.01 ANGLES : ± 0.1° RADI UNLESS NOTED : R 0.3	DWG REV : 00	DWG(PART) NO. Q327MS_001	SIZE : A3
HYUNDAI IT CO., LTD.				MODEL NAME (CODE): Q327MS	CUSTOMER: HDIT	SHT NO : 1/1	
				FILE NAME : LAYOUT_Q325M_Q327M_200203.DWG			

This drawing is the property of HYUNDAI IT CO., LTD. and should not be disclosed to any third party without prior permission of HYUNDAI IT CO., LTD.

REV. NO		REV. HISTORY	LTR	ECO NO	DATE	APPR'L
DWG	PART					
00	00	INITIAL RELEASE	-	-	-	-



- NOTES,**
- LCD Panel : 32"
  - Material : E.G.I (Steel)
  - Tempered Glass : 8.0t (Single AR)

DRAWN	PLANNED	CHECKED	APPROVED	UNLESS OTHERWISE SPECIFIED ALL DIMENSION ARE IN MILLIMETERS	ANGLE. 3rd.	TITLE :	UNIT :
S.W.SEO	S.H.JANG	S.H.JANG	Y.T.KIM	TOLERANCES ARE : LINEAR : X ± 0.2 X ± 0.1 XX ± 0.01 ANGLES : ± 0.1° RADI UNLESS NOTED : R 0.3	SCALE : 1/10		Q327MS(PORTAIT) EXTERIOR VIEW
'20.02.03	'20.02.03	'20.02.03	'20.02.03			DWG(PART) NO. Q327MS_002	
HYUNDAI IT CO., LTD.				MODEL NAME (CODE): Q327MS	CUSTOMER. HDIT	DWG REV : 00	SIZE : A3
				FILE NAME : LAYOUT_Q325M_Q327M_200203.DWG		SHT NO : 1/1	