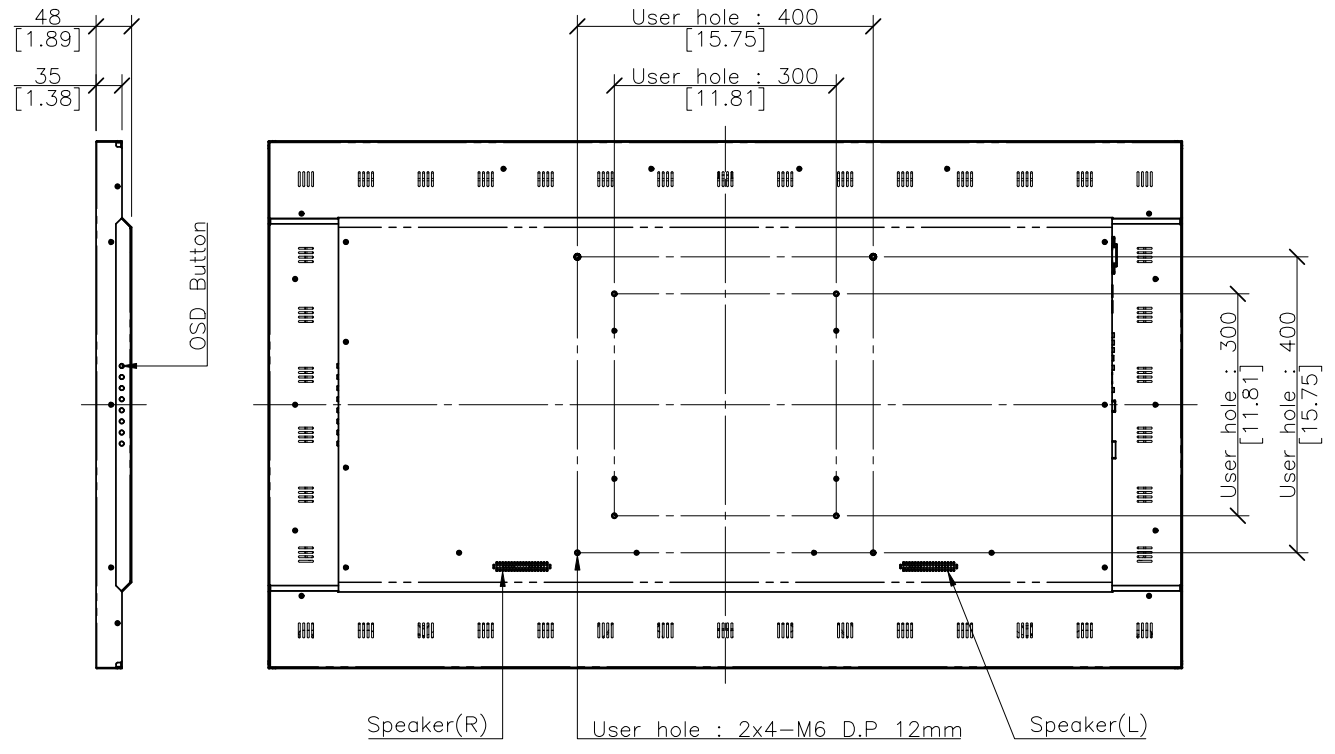
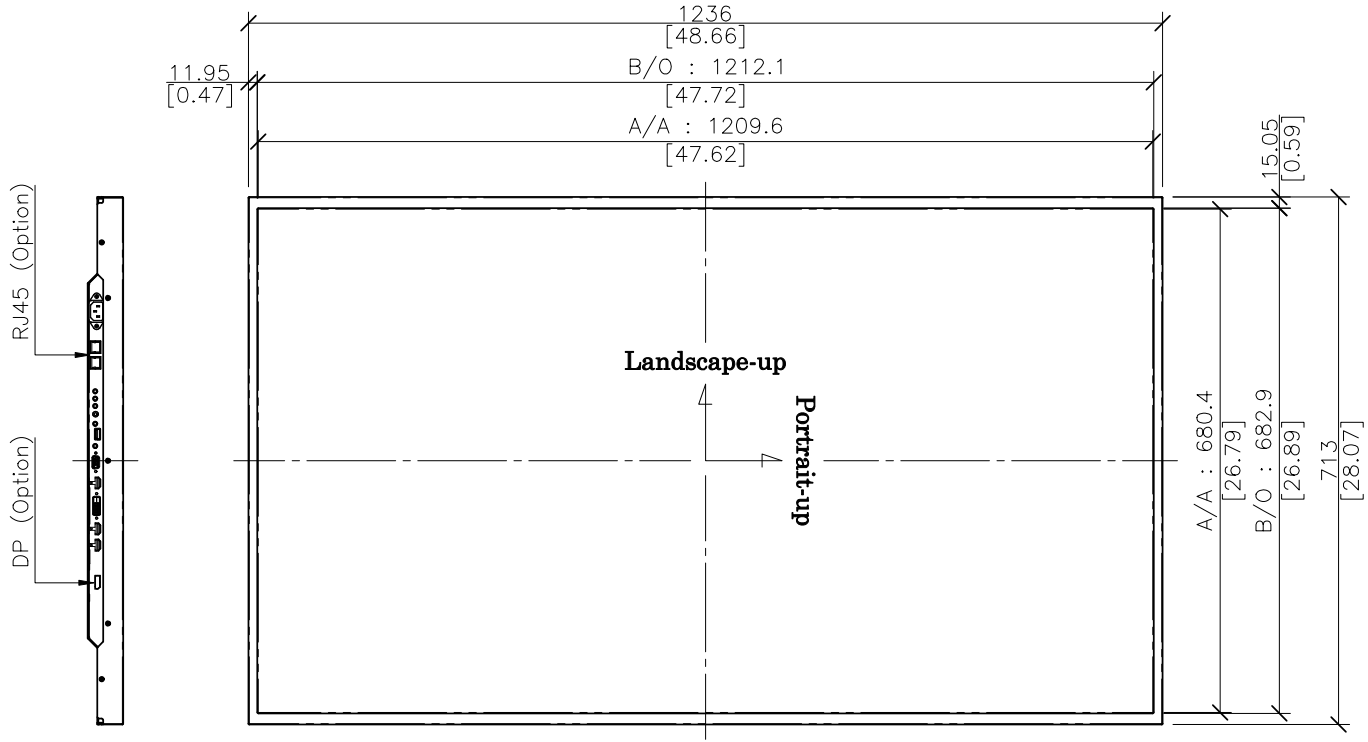
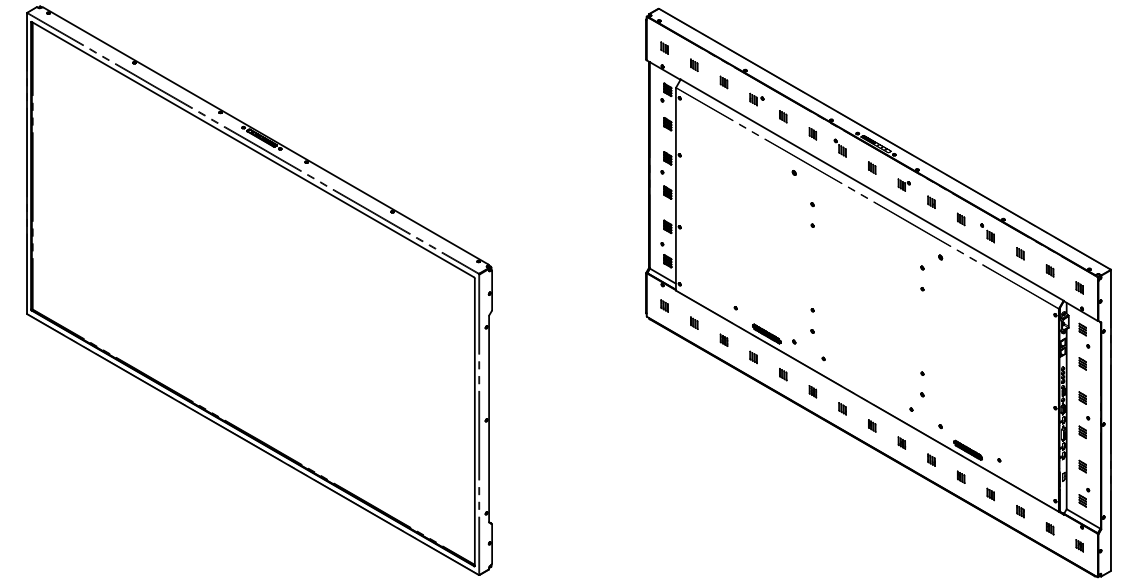
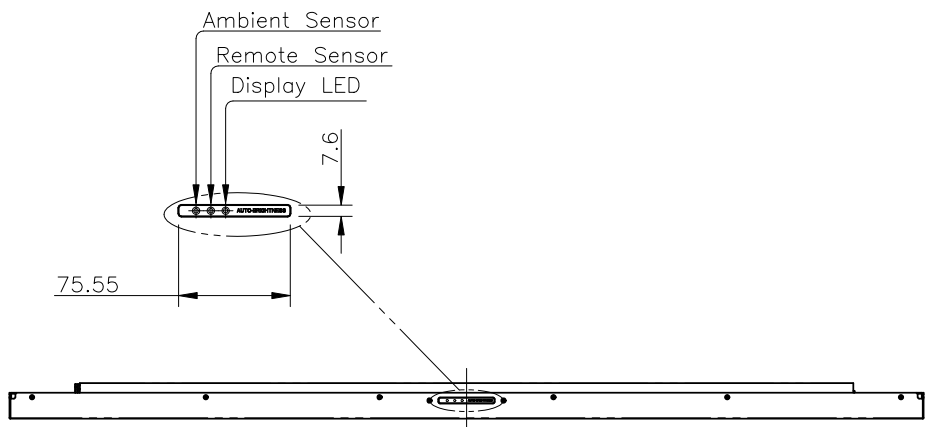


This drawing is the property of HYUNDAI IT CO.,LTD. and should not be disclosed to any third party without prior permission of HYUNDAI IT CO.,LTD..

REV. NO		REV. HISTORY	LTR	ECO NO	DATE	APPR'L
DWG	PART					
00	00	INITIAL RELEASE	-	-	-	-



- NOTES,**
- LCD Panel : 55"
 - Material : E.G.I
 - Color : Black

DRAWN	PLANNED	CHECKED	APPROVED	UNLESS OTHERWISE SPECIFIED ALL DIMENSION ARE IN MILLIMETERS	ANGLE 3rd.	TITLE : M55ZMA EXTERIOR VIEW	UNIT : mm
Y.C.CHOI	S.W.SEO	S.H.JANG	Y.T.KIM		SCALE : 1/10		TYPE : ASSY
'22.04.19	'22.04.19	'22.04.19	'22.04.19	TOLERANCES ARE : LINEAR : X ± 0.2 X ± 0.1 XX ± 0.01 ANGLES : ± 0.1° RADI UNLESS NOTED : R 0.3		DWG(PART) NO. M55ZMA_001	SIZE : A3
HYUNDAI IT CO., LTD.				MODEL NAME (CODE): M55ZMA	CUSTOMER. HDIT		DWG REV : 00
				FILE NAME : LAYOUT_D55XMR_220419.DWG		SHT NO : 1/1	