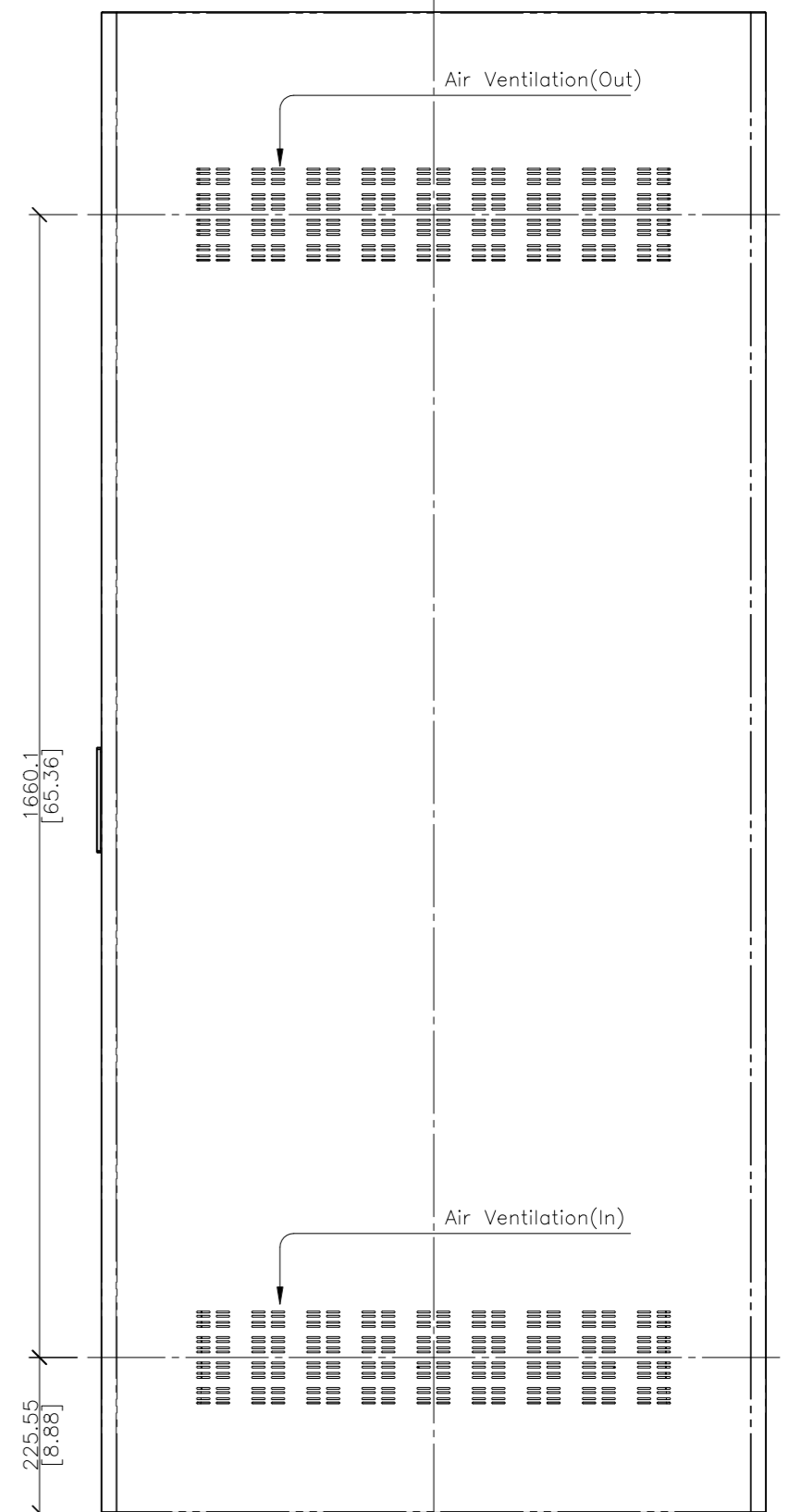
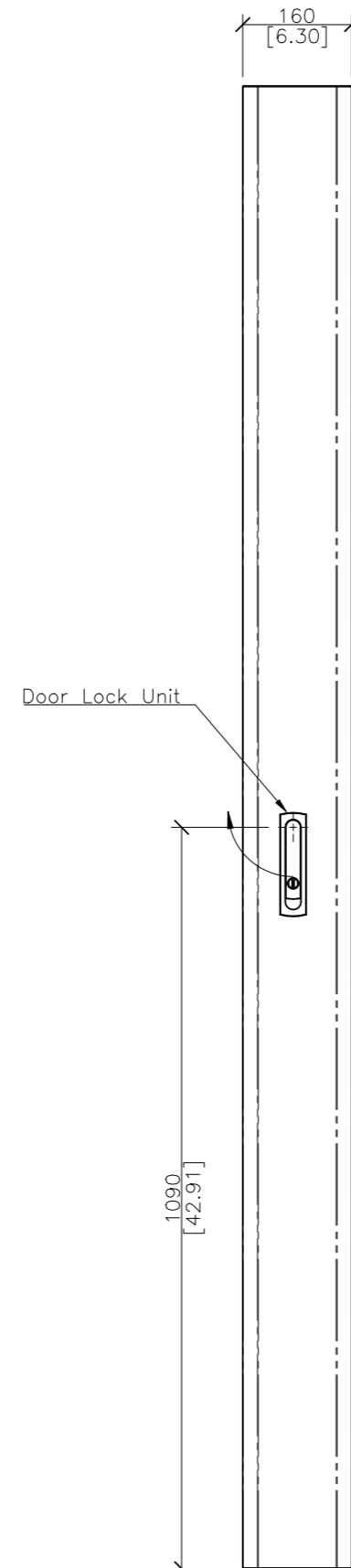
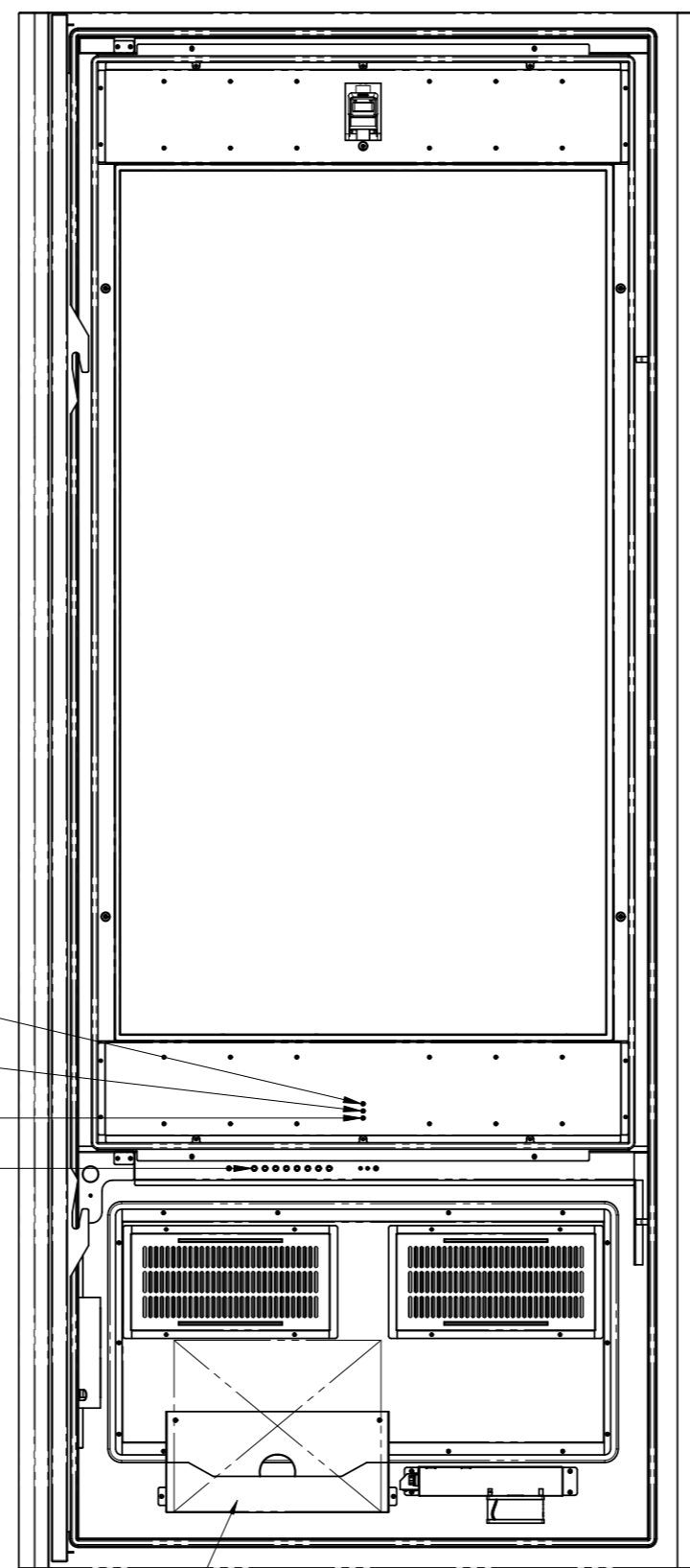
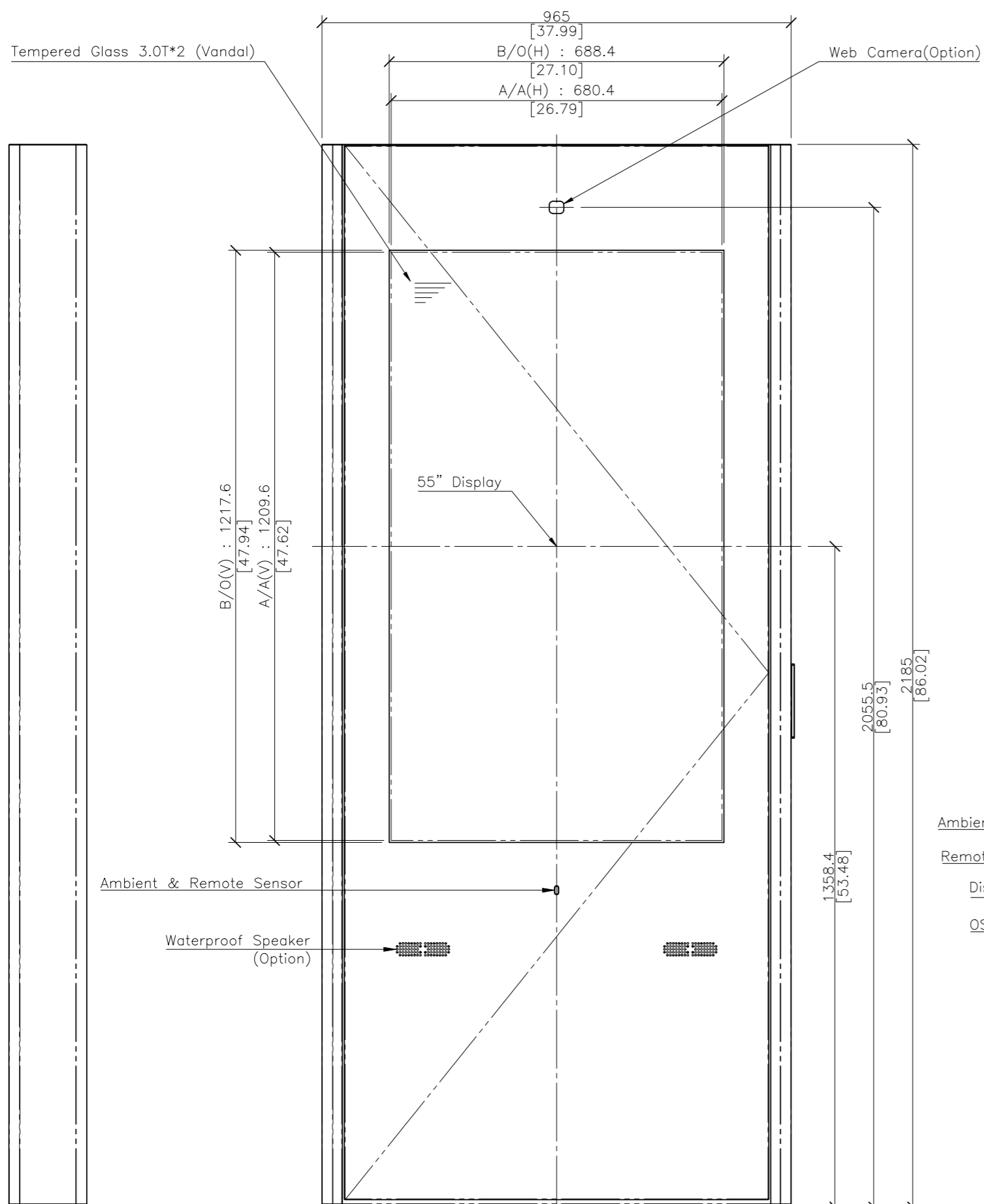
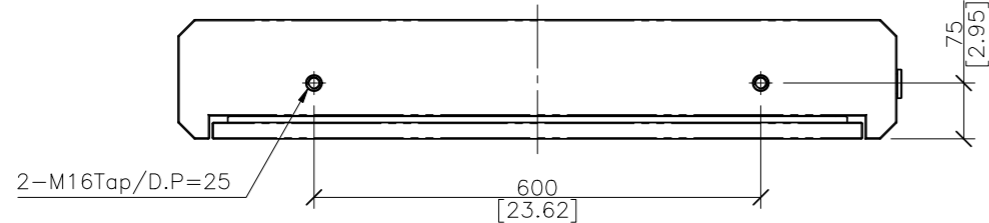
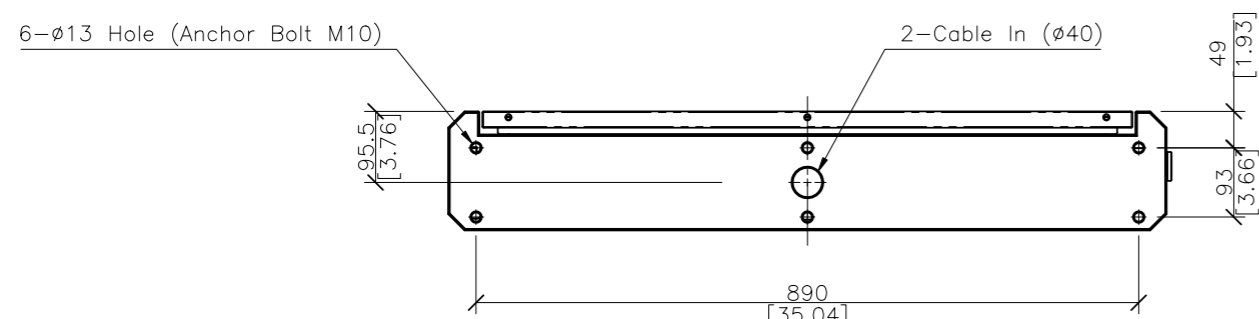


| REV. NO | | REV. HISTORY | LTR | ECO NO | DATE | APPR'L |
|---------|------|-----------------|-----|--------|------|--------|
| DWG | PART | | | | | |
| 00 | 00 | INITIAL RELEASE | - | - | - | - |



STB BOX Size(Max) : W(280)xH(240)xD(110) **FRONT OPEN VIEW**



NOTES,
1. Cable Entry : Cable Gland("IP66" or more certified products should be used)

| | | | | | | | |
|-----------------------------|-----------|-----------|-----------|---|------------------|--|------------------------------------|
| DRAWN | PLANNED | CHECKED | APPROVED | UNLESS OTHERWISE SPECIFIED ALL DIMENSION ARE IN MILLIMETERS TOLERANCES ARE: LINEAR : X ± 0.20 X ± 0.1 XX ± 0.01 ANGLE : ± 0.1° RADIUS UNLESS NOTED : R 0.3 | ANGLE 3rd. | TITLE : H557SS Series EXTERIOR VIEW | UNIT : mm |
| S.W.SEO | S.H.JANG | S.H.JANG | Y.T.KIM | | SCALE : 1/10 | | TYPE : ASSY |
| '19.04.12 | '19.04.12 | '19.04.12 | '19.04.12 | | | | |
| HYUNDAI IT CO., LTD. | | | | MODEL NAME (CODE): H557SS* | CUSTOMER: HDT | DWG REV : 01 | DWG(PART) NO. H557SS_001 |
| | | | | FILE NAME : LAYOUT_H557S_210826.DWG | | SHT NO : 1/1 | SIZE : A2 |

This drawing is the property of HYUNDAI IT CO.,LTD. and should not be disclosed to any third party without prior permission of HYUNDAI IT CO.,LTD.