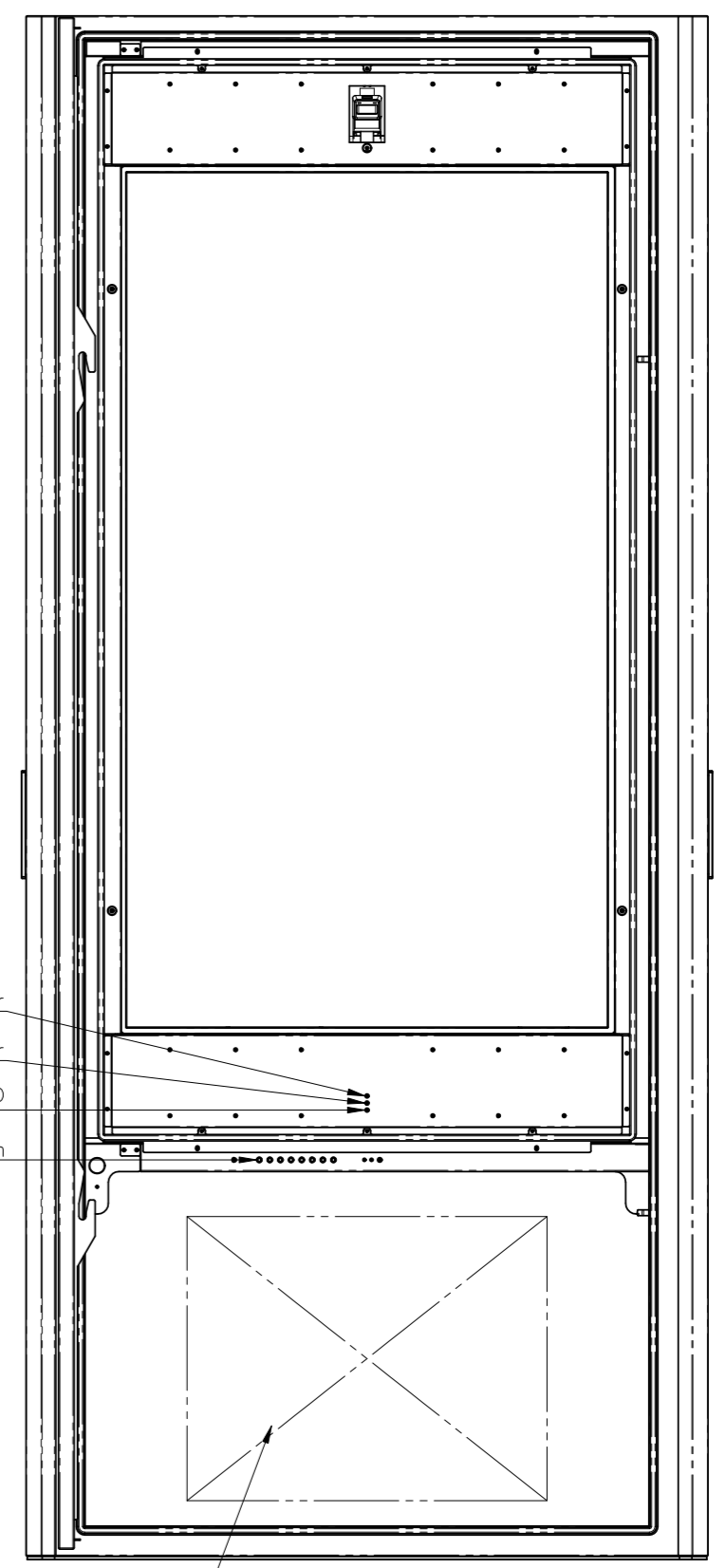
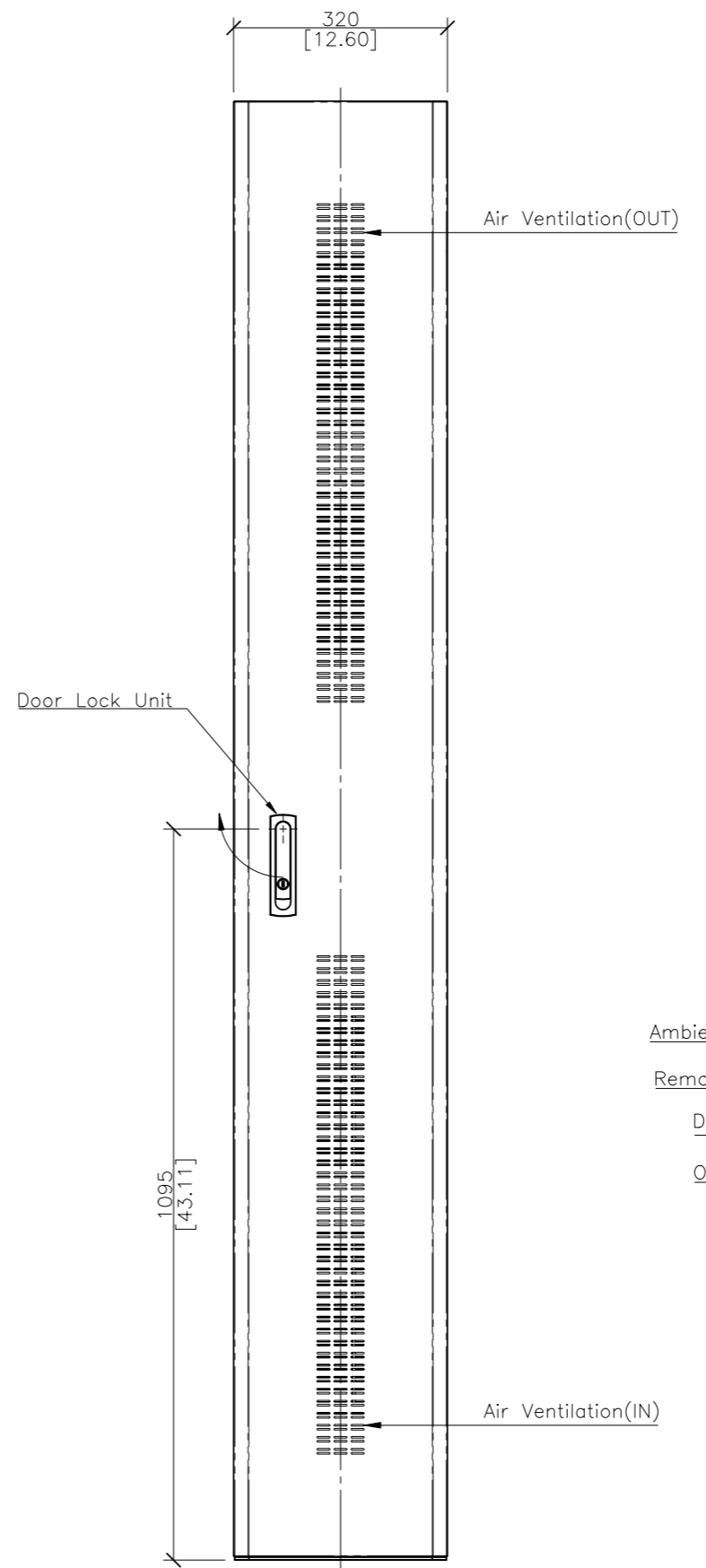
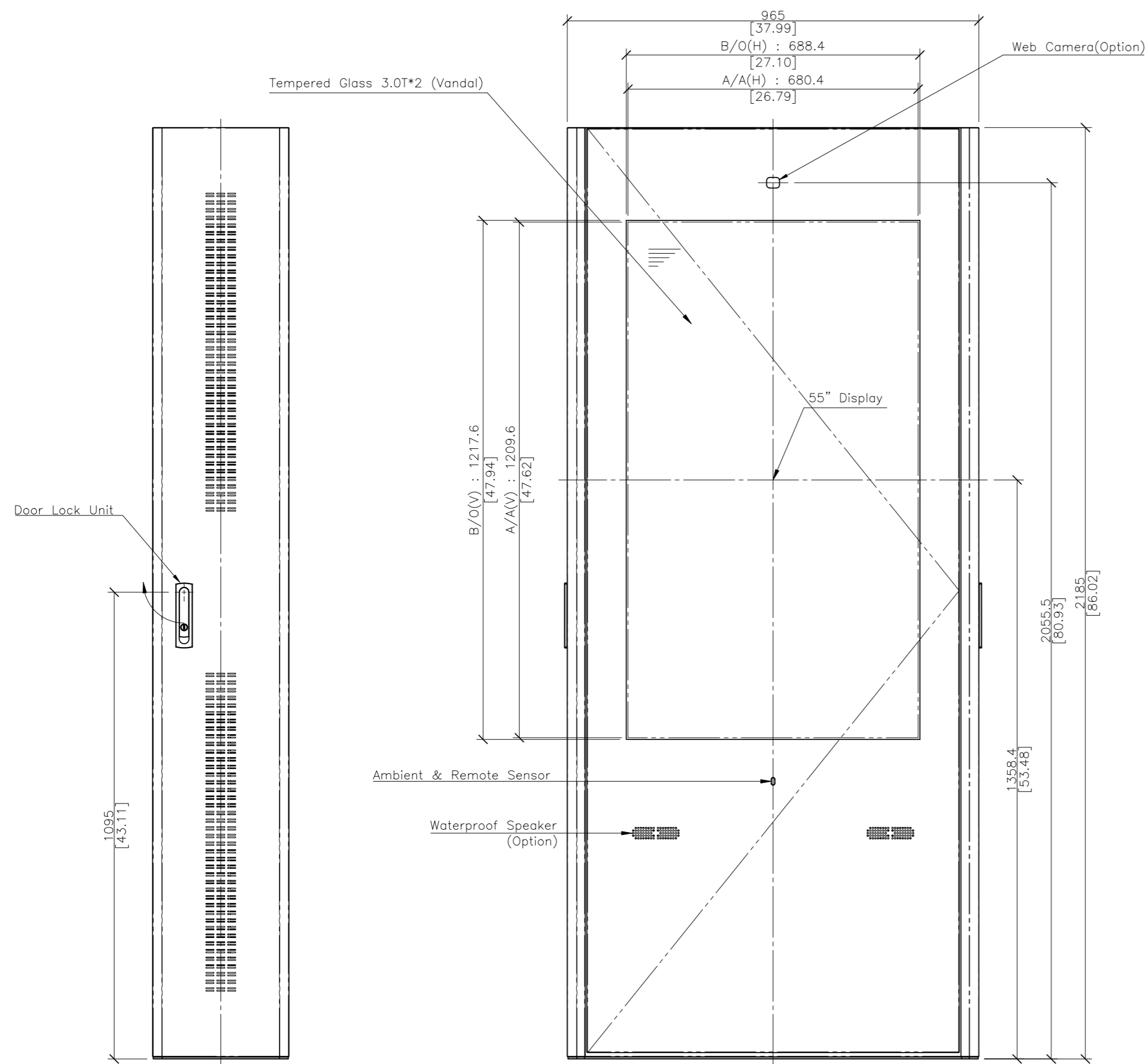
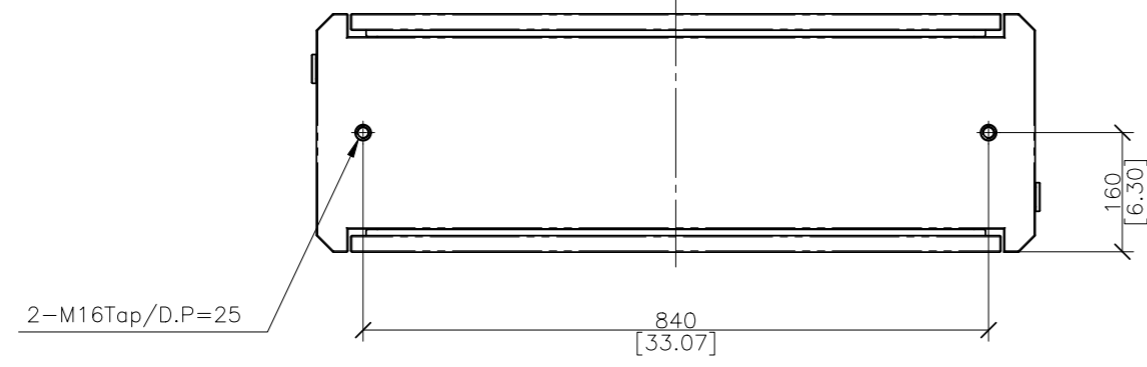
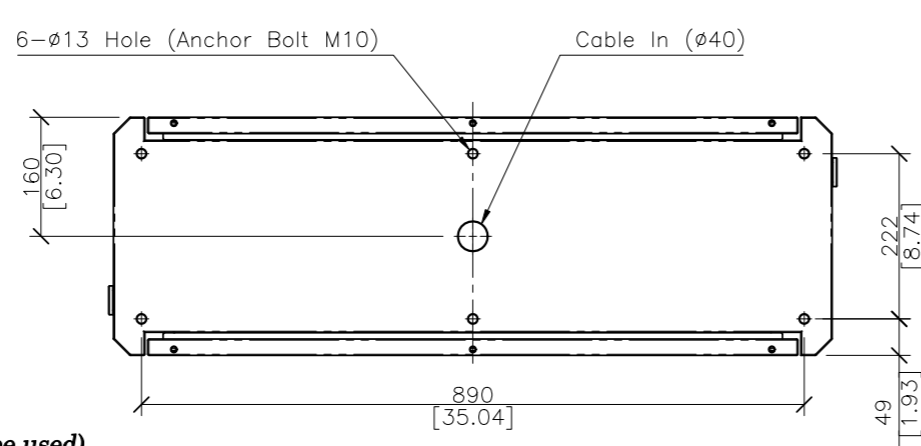


REV. NO		REV. HISTORY	LTR	ECO NO	DATE	APPR'L
DWG	PART					
00	00	INITIAL RELEASE	-	-	-	-



STB Area(Max) : 500(W) x 380(H) x 240(D) **OPEN VIEW**



NOTES
1. Cable Entry : Cable Gland("IP66" or more certified products should be used)

DRAWN	PLANNED	CHECKED	APPROVED	UNLESS OTHERWISE SPECIFIED ALL DIMENSION ARE IN MILLIMETERS	ANGLE 3rd.	TITLE : H557SD(Double side) EXTERIOR VIEW	UNT : mm
S.W.SEO	S.H.JANG	S.H.JANG	Y.T.KIM	TOLERANCES ARE: LINEAR : X ± 0.20 X ± 0.1 XX ± 0.01 ANGLE : ± 0.1° RADI UNLESS NOTED : R 0.3	SCALE : 1/10		TYPE : ASSY
'19.09.27	'19.09.27	'19.09.27	'19.09.27			DWG(PART) NO. H557SD_001	SIZE : A2
HYUNDAI IT CO., LTD.				MODEL NAME (CODE): H557SD	CUSTOMER	DWG REV : 01	
				FILE NAME : LAYOUT_H557S_190927.DWG		SHT NO : 1/1	

This drawing is the property of HYUNDAI IT CO.,LTD. and should not be disclosed to any third party without prior permission of HYUNDAI IT CO.,LTD.