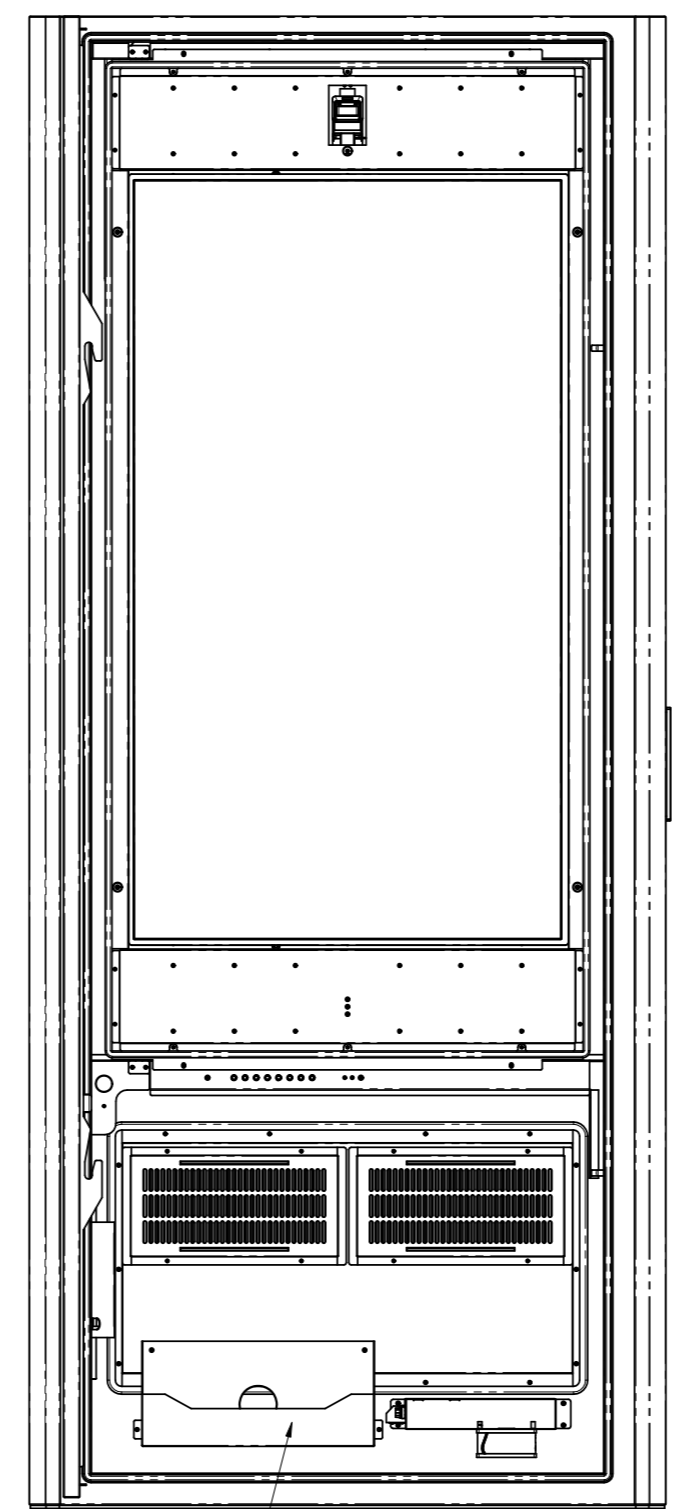
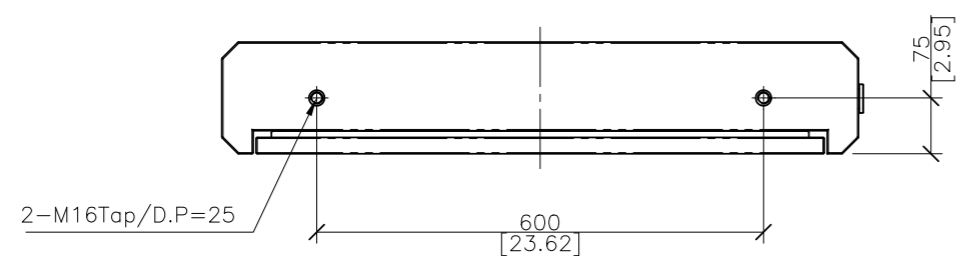
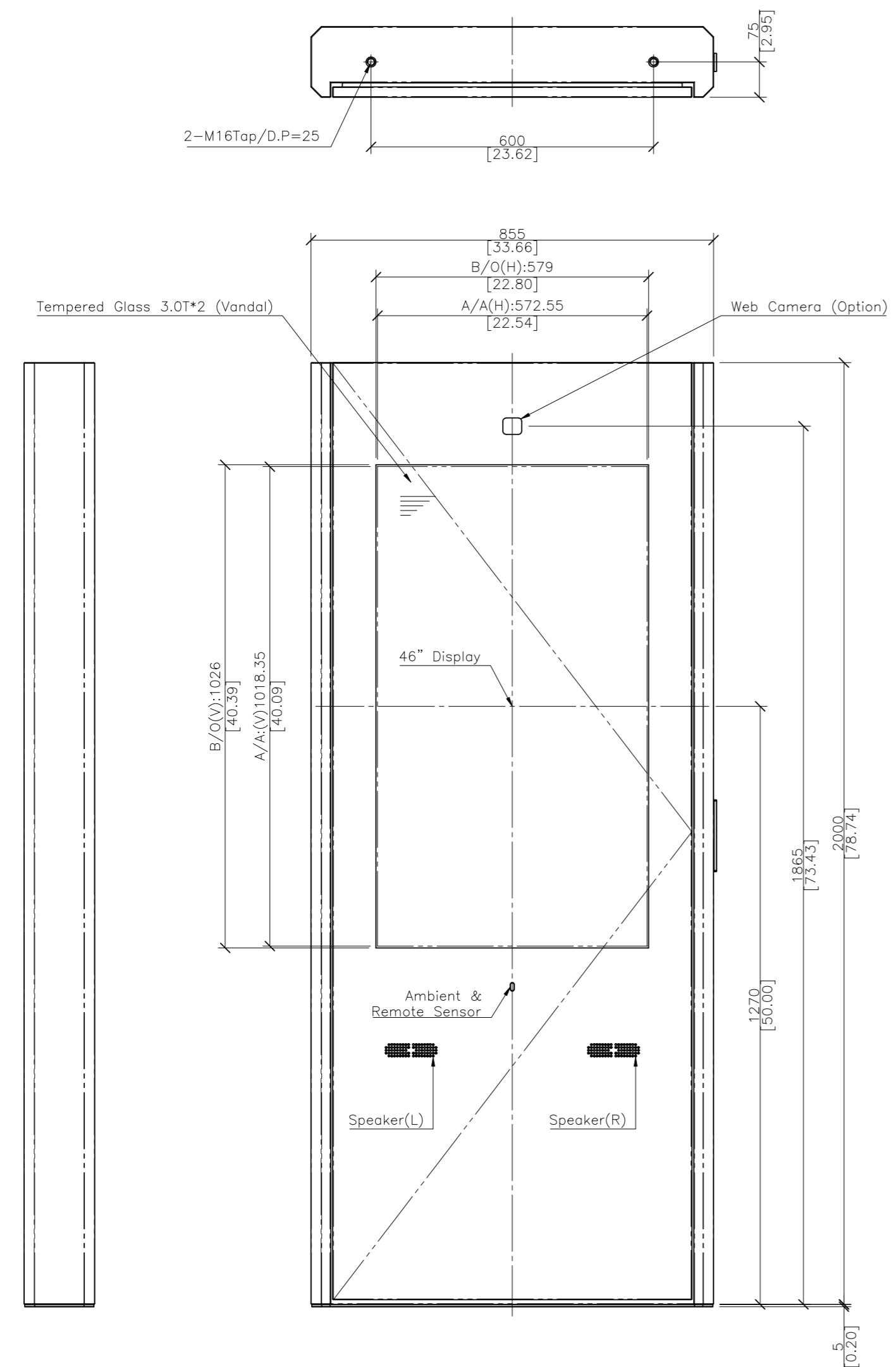
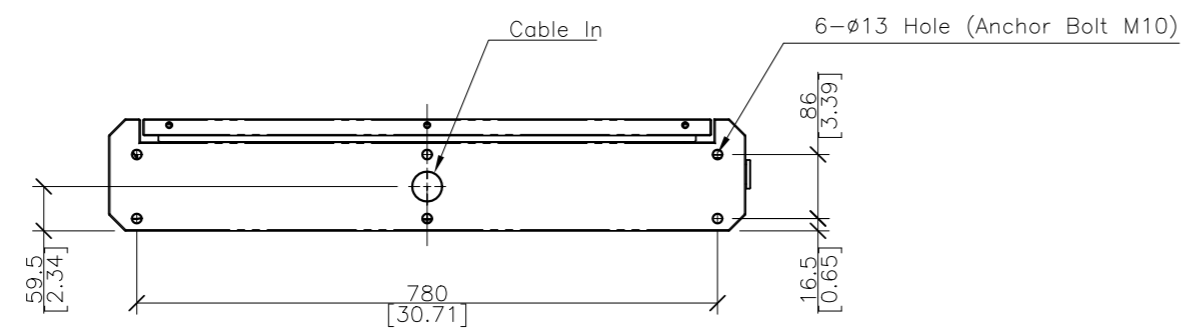
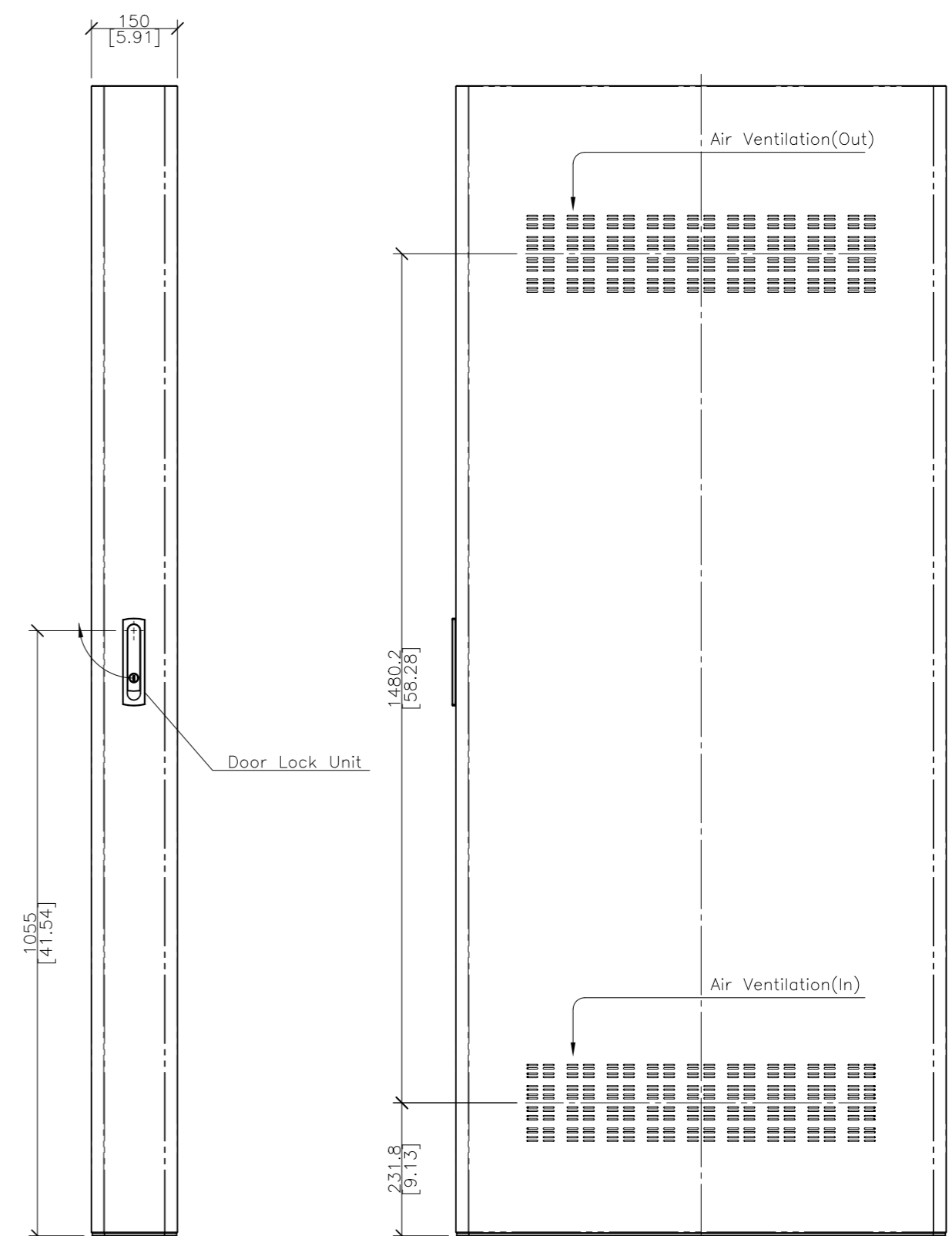


REV. NO		REV. HISTORY	LTR	ECO NO	DATE	APPR'L
DWG	PART					
00	00	INITIAL RELEASE	-	-	-	-



STB BOX Size(Max)
: 280(W)*240(H)*110(D)
FRONT OPEN VIEW



NOTES,
1. Cable Entry : Cable Gland("IP66" or more certified products should be used)

DRAWN	PLANNED	CHECKED	APPROVED	UNLESS OTHERWISE SPECIFIED ALL DIMENSION ARE IN MILLIMETERS	ANGLE: 3rd.	TITLE : H467SS Series EXTERIOR VIEW	UNIT : mm
S.W.SEO	S.H.JIANG	S.H.JIANG	Y.T.KIM	TOLERANCES ARE : LINEAR : X ± 0.20 X ± 0.1 XX ± 0.01 ANGLE : ± 0.1° RADI UNLESS NOTED : R 0.3	SCALE : 1/10		TYPE : ASSY
'20.01.22	'20.01.22	'20.01.22	'20.01.22	MODEL NAME (CODE): H467SS* (Speaker)	CUSTOMER: HDT	DWG REV : 01	SIZE : A2
HYUNDAI IT CO., LTD.				FILE NAME : LAYOUT_H467S_H469S_210408.DWG	SHT NO : 1/1	DWG(PART) NO. H467SS_001	