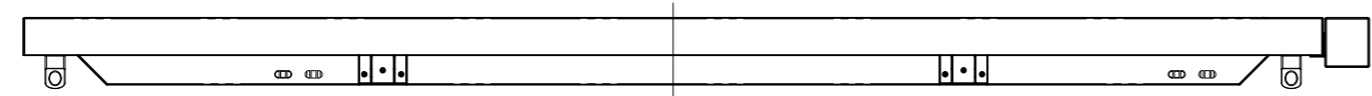
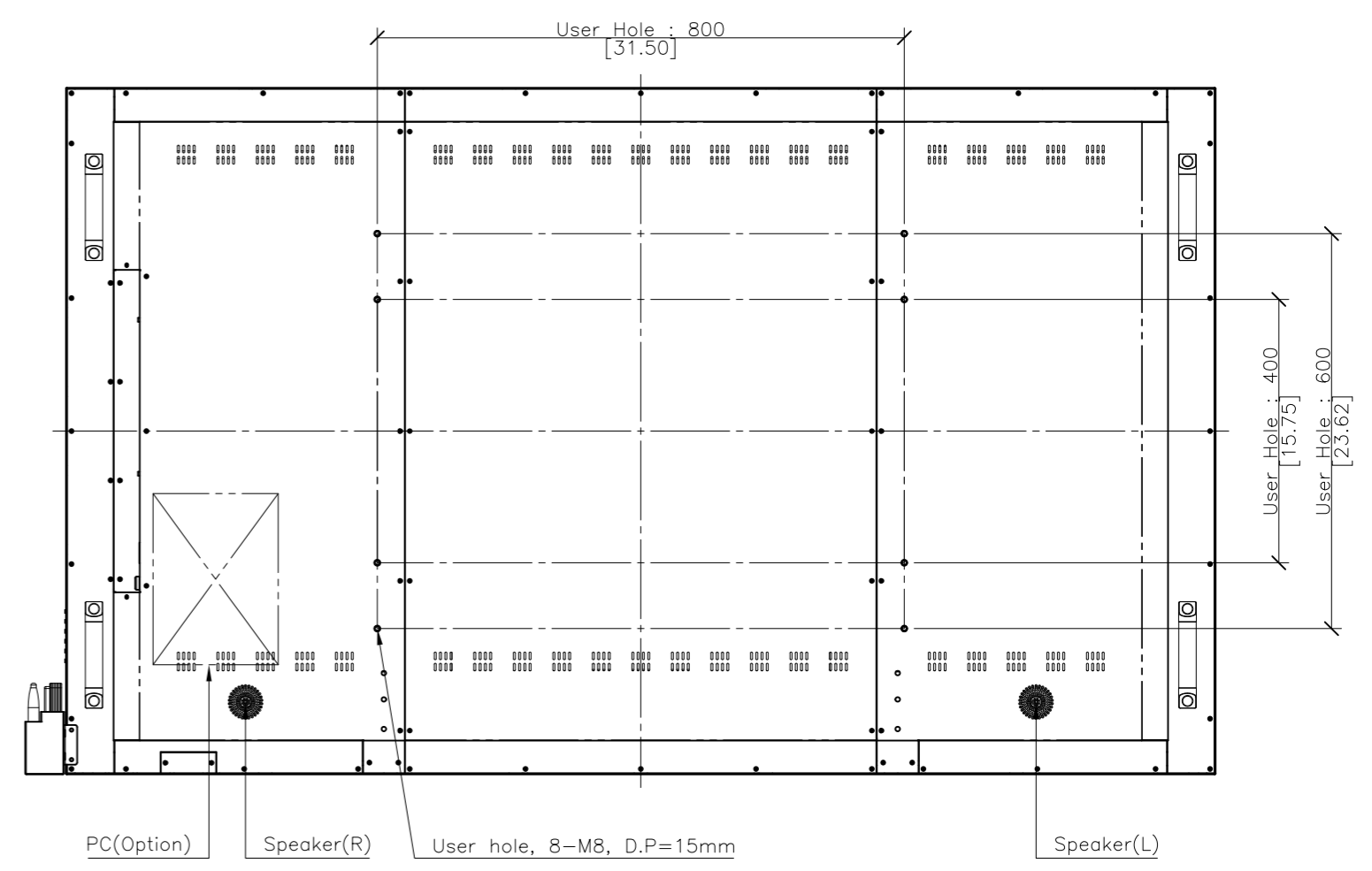
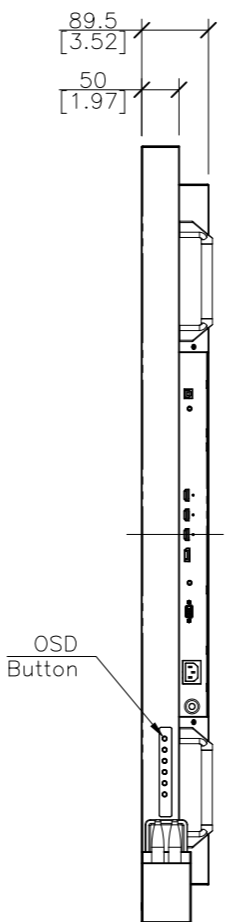
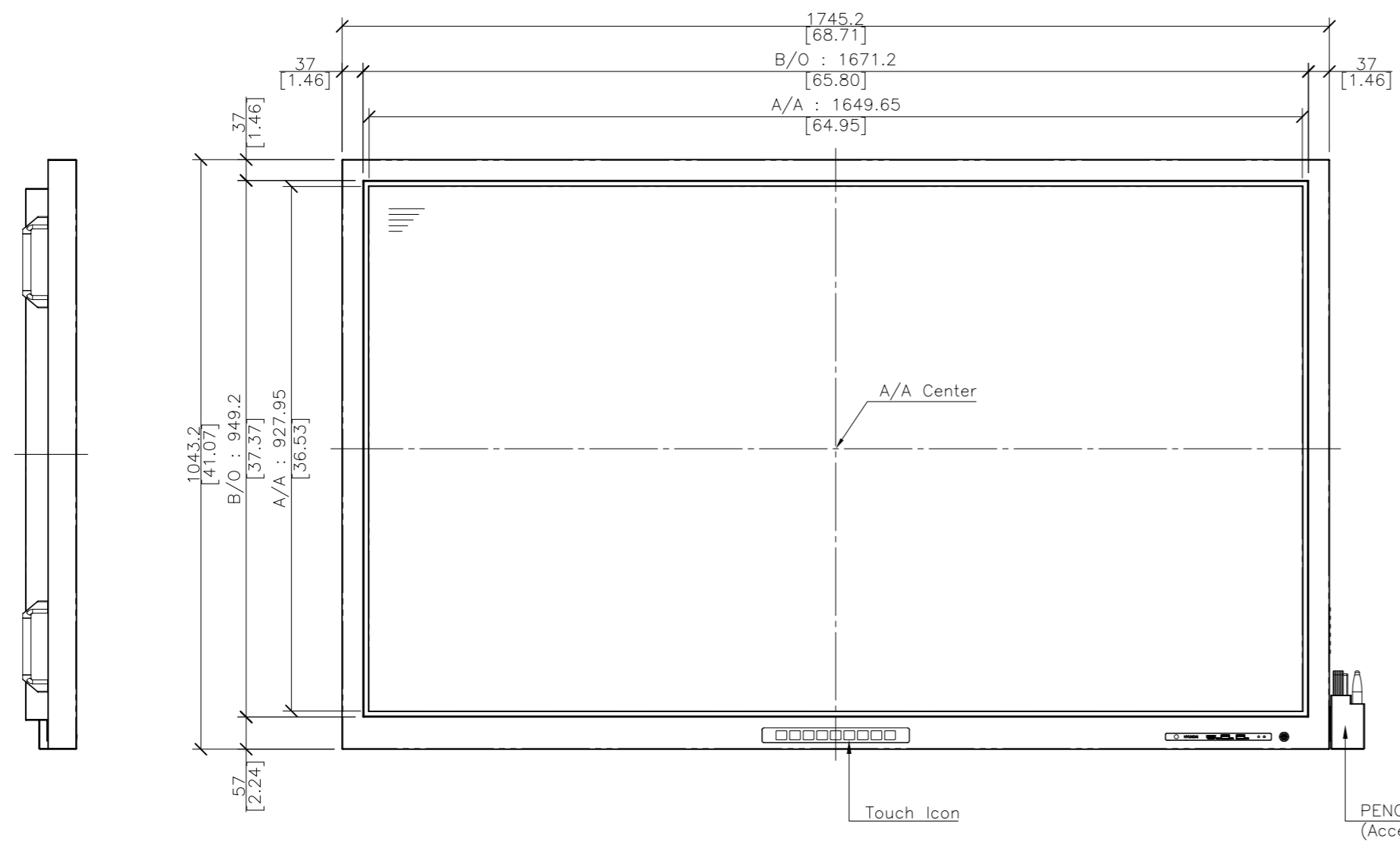
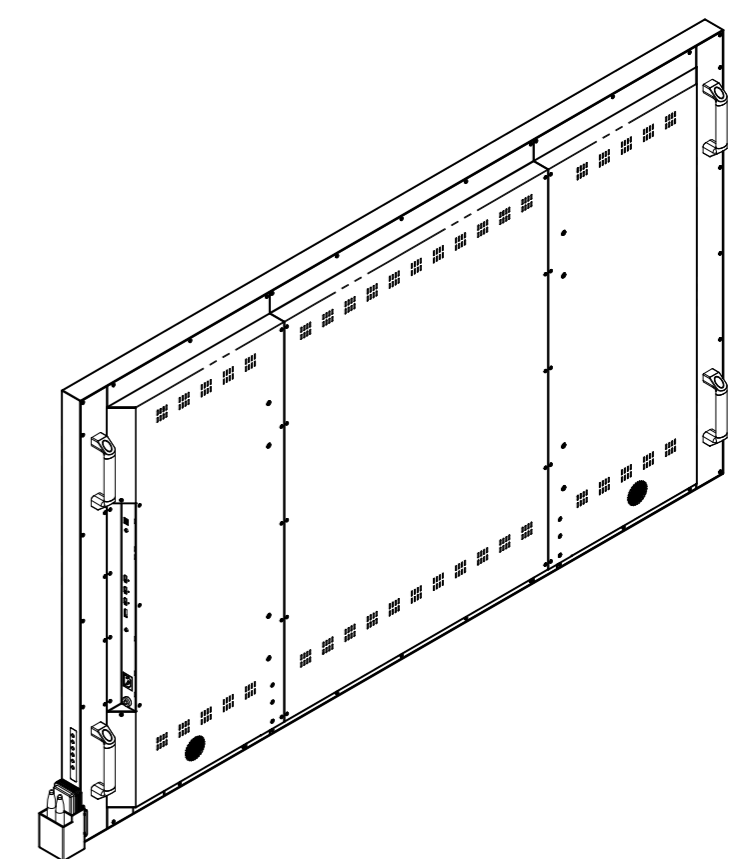
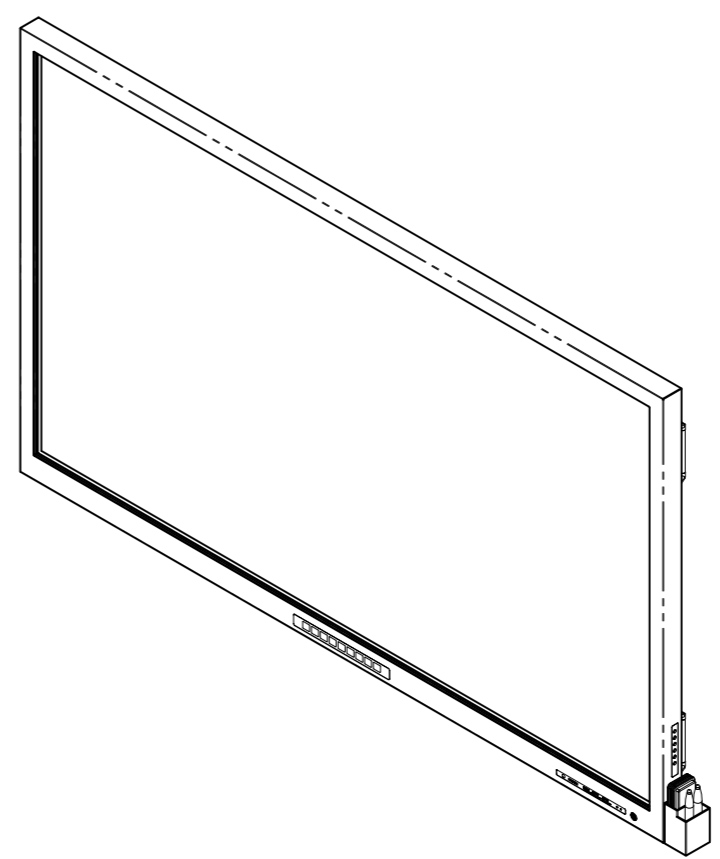
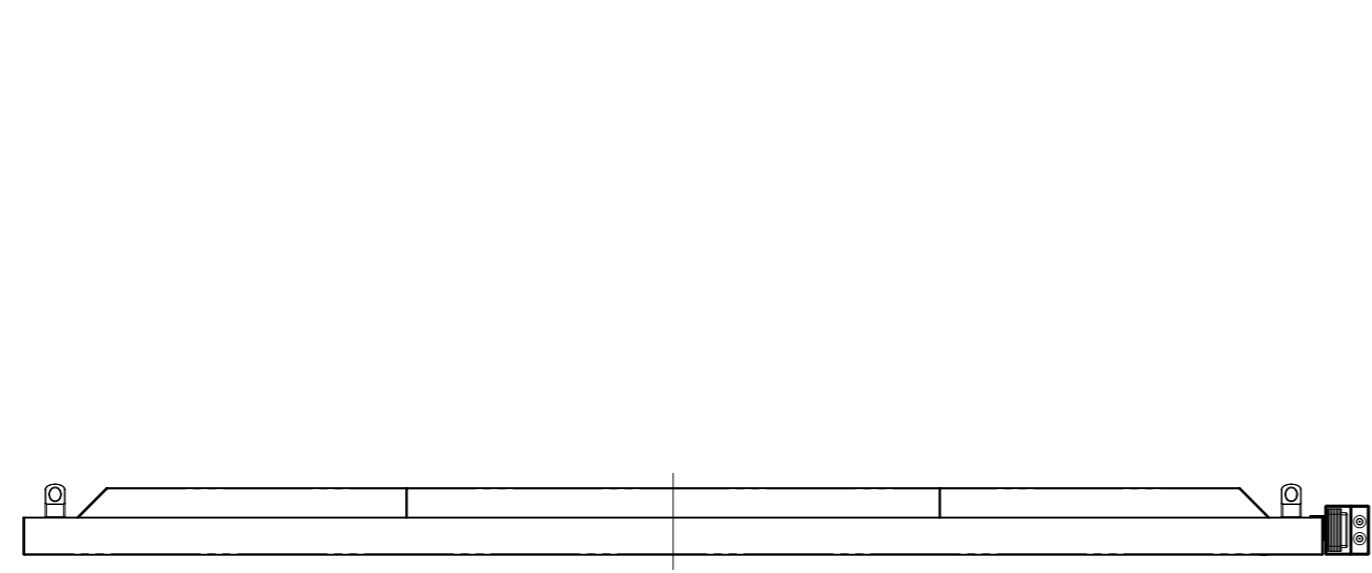


REV. NO		REV. HISTORY	LTR	ECO NO	DATE	APPR'L
DWG	PART					
00	00	INITIAL RELEASE	-	-	-	-

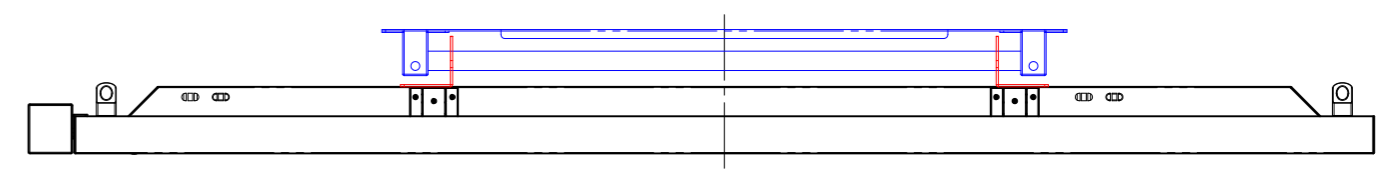
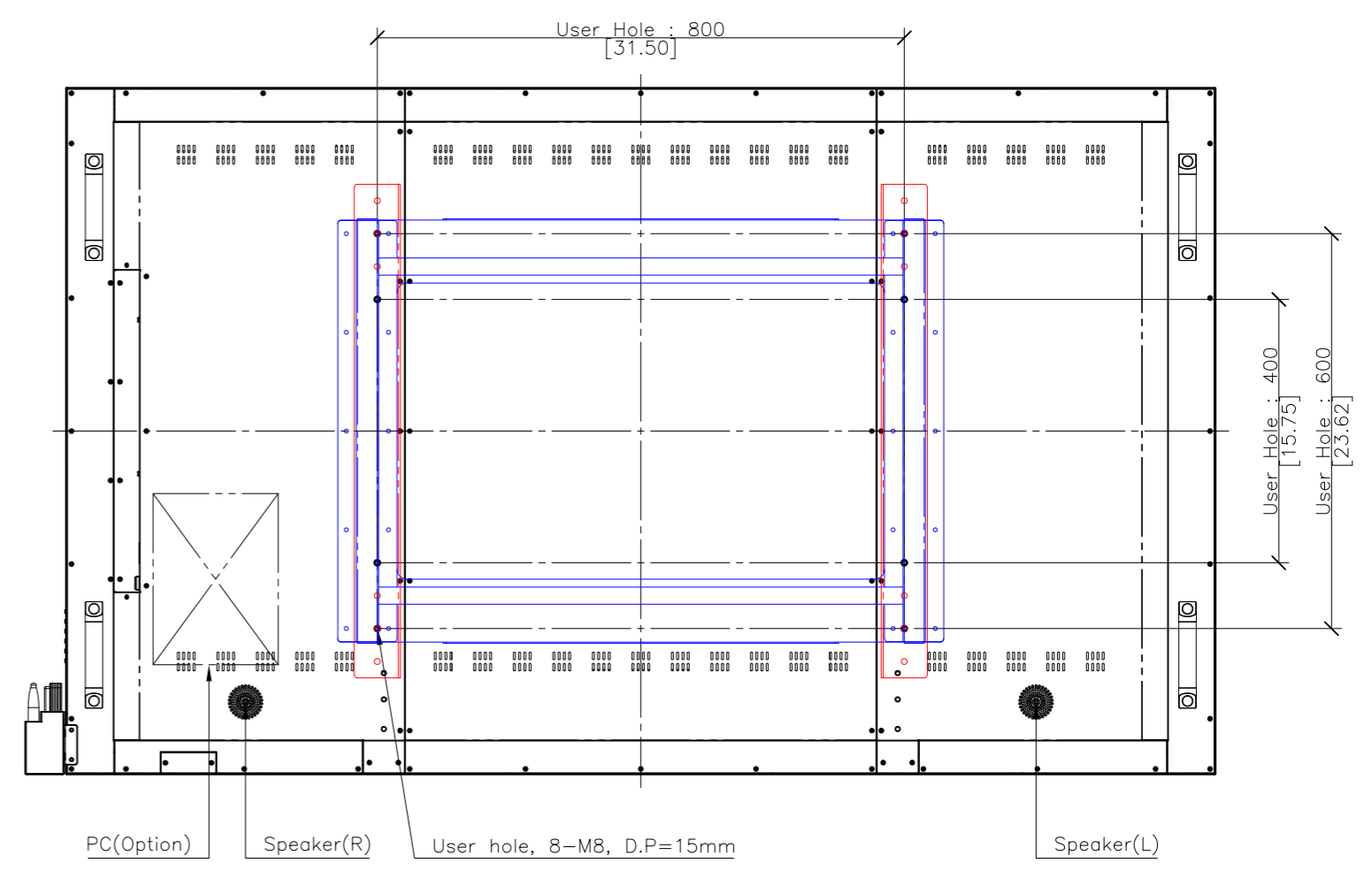
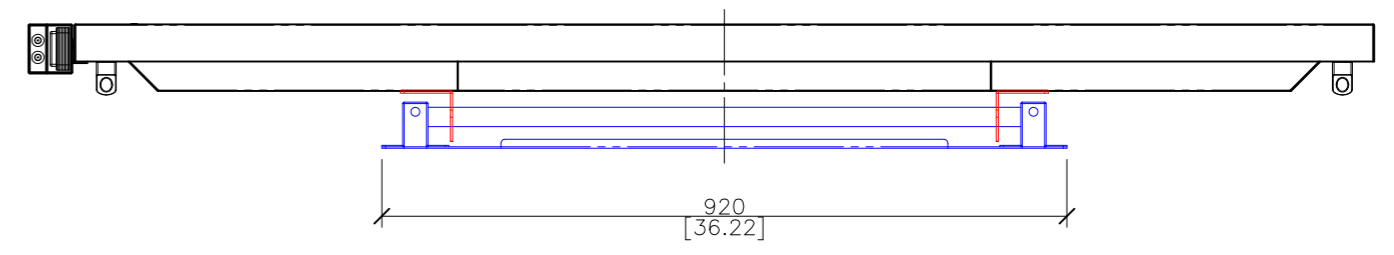
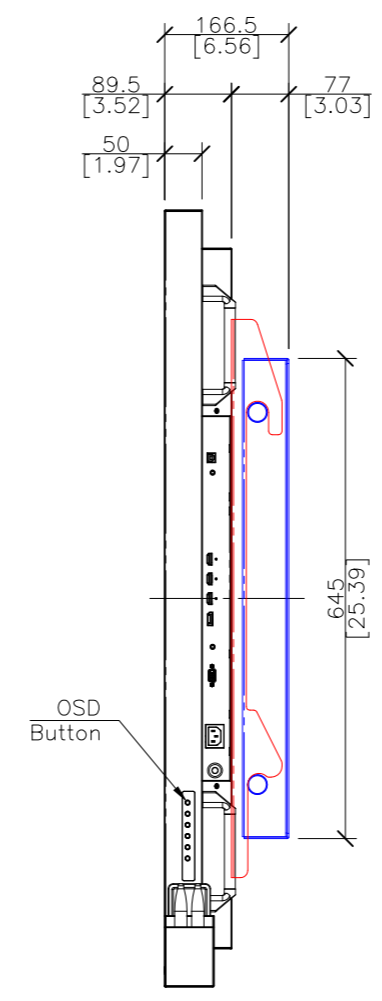
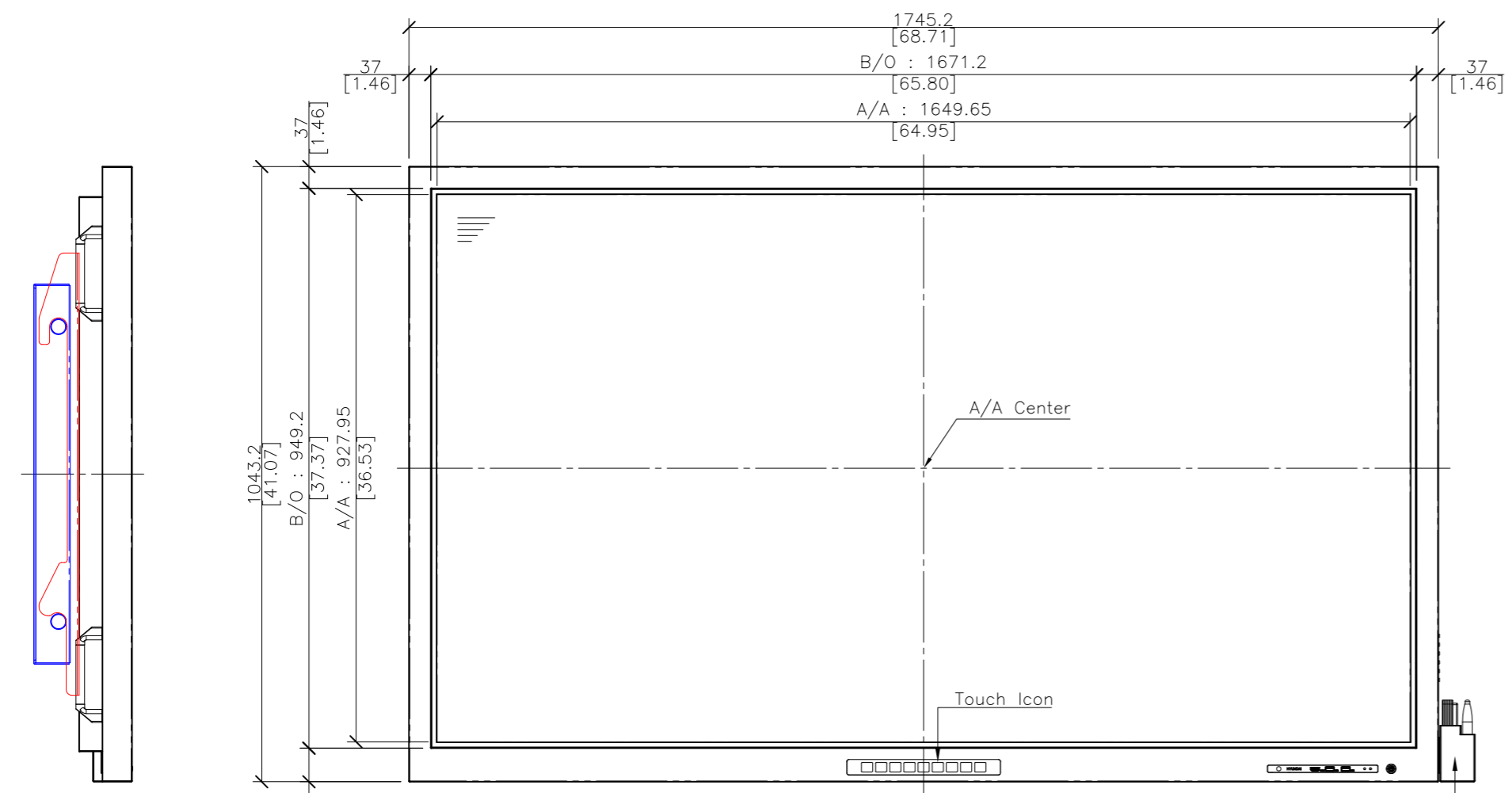


- NOTES**
- LCD Panel : 75"
 - Tempered Glass : 4.0t
 - Color : Black

DRAWN	PLANNED	CHECKED	APPROVED	UNLESS OTHERWISE SPECIFIED ALL DIMENSION ARE IN MILLIMETERS	ANGLE 3rd.	TITLE : E75UAEL EXTERIOR VIEW	UNIT : mm
S.W.SEO	S.H.JANG	S.H.JANG	Y.T.KIM		SCALE : 1/10		TYPE : ASSY
'17.11.10	'17.11.10	'17.11.10	'17.11.10	TOLERANCES ARE: LINEAR : X ± 0.20 X ± 0.1 XX ± 0.01 ANGLES : ± 0.1° RADI UNLESS NOTED : R 0.3	DWG REV : 00	DWG(PART) NO. E75UAEL_001	SIZE : A2
HYUNDAI IT CO.,LTD.				MODEL NAME (CODE): E75UAEL	CUSTOMER: HDT	SHT NO : 1/1	
				FILE NAME : LAYOUT_E75UAEL_LGD_171110.DWG			

This drawing is the property of HYUNDAI IT CO.,LTD. and should not be disclosed to any third party without prior permission of HYUNDAI IT CO.,LTD..

REV. NO		REV. HISTORY	LTR	ECO NO	DATE	APPR'L
DWG	PART					
00	00	INITIAL RELEASE	-	-	-	-

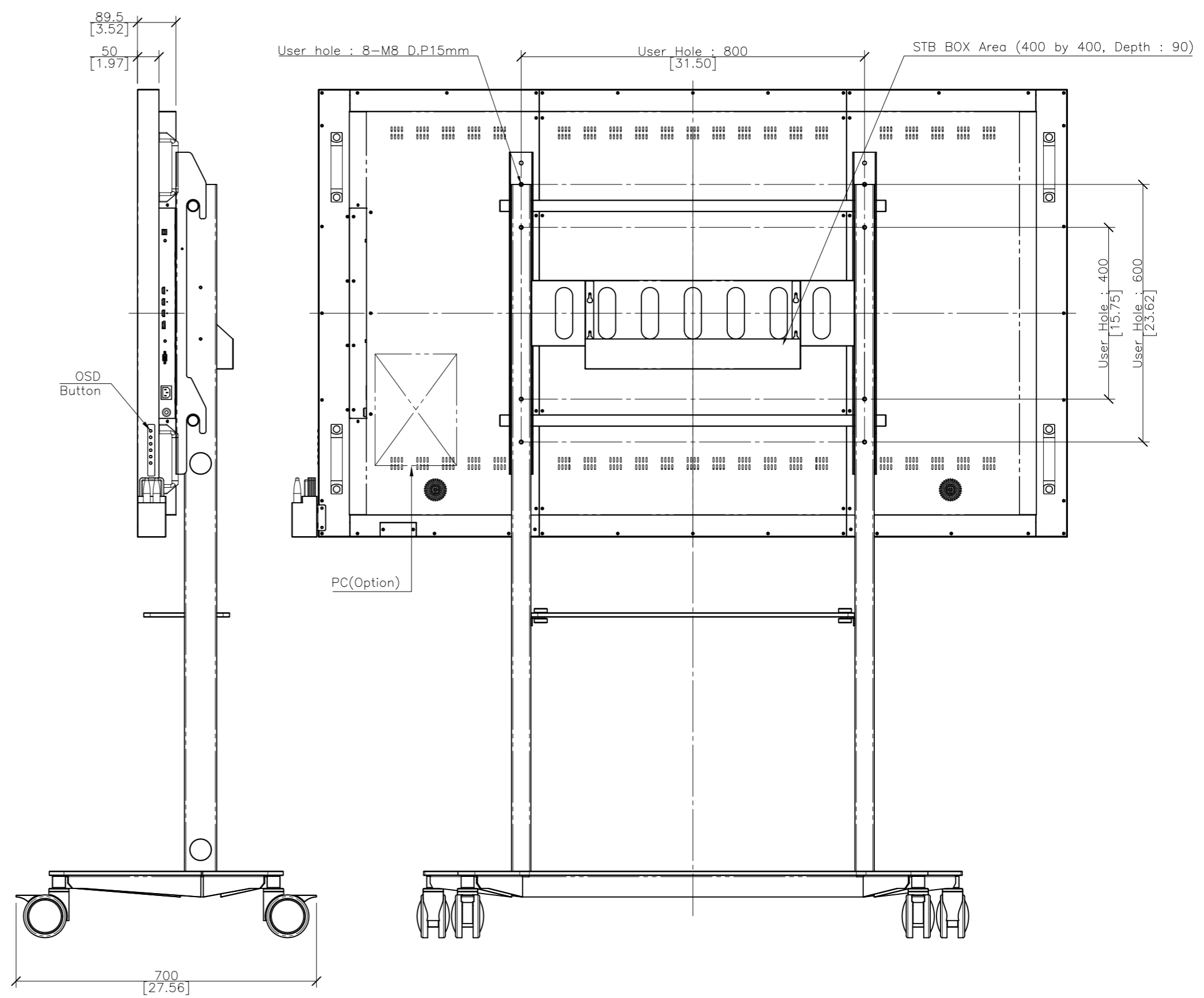
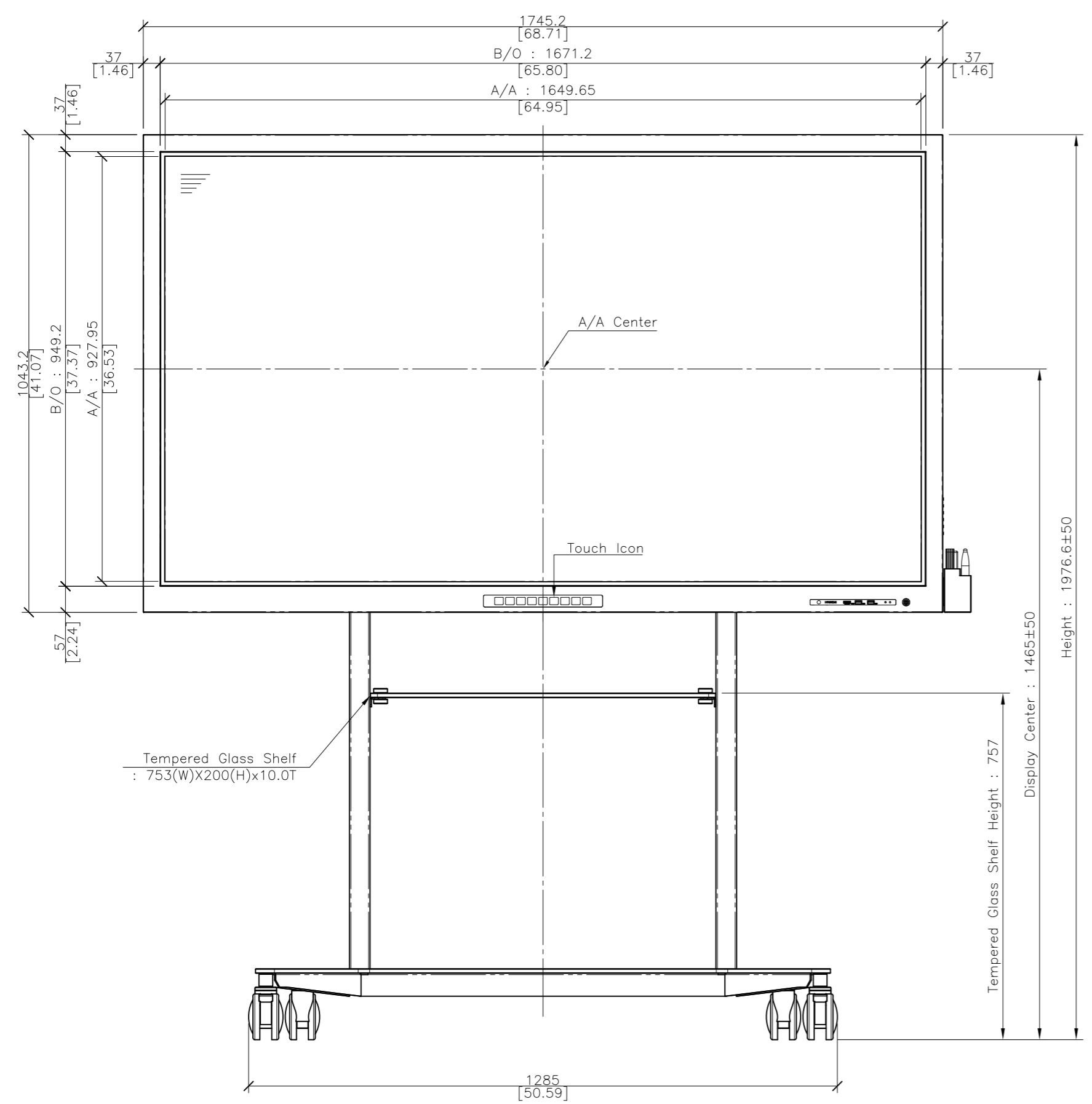


- NOTES.**
1. LCD Panel : 75"
 2. Tempered Glass : 4.0t
 3. Color : Black

DRAWN	PLANNED	CHECKED	APPROVED	UNLESS OTHERWISE SPECIFIED ALL DIMENSION ARE IN MILLIMETERS	ANGLE 3rd.	TITLE :	UNIT : mm
S.W.SEO	S.H.JANG	S.H.JANG	Y.T.KIM	TOLERANCES ARE: LINEAR : X ± 0.20 X ± 0.1 XX ± 0.01 ANGLES : ± 0.1° RADI UNLESS NOTED : R 0.3	SCALE : 1/10	E75UAEI (With Wallmount) EXTERIOR VIEW	TYPE : ASSY
'17.11.10	'17.11.10	'17.11.10	'17.11.10	MODEL NAME (CODE): E75UAEI (With Wallmount)	CUSTOMER: HDT	DWG REV : 00	DWG(PART) NO. E75UAEI_002
HYUNDAI IT CO., LTD.				FILE NAME : LAYOUT_E75UAEI_LGD_171110.DWG	SHT NO : 1/1	SIZE : A2	

This drawing is the property of HYUNDAI IT CO.,LTD. and should not be disclosed to any third party without prior permission of HYUNDAI IT CO.,LTD..

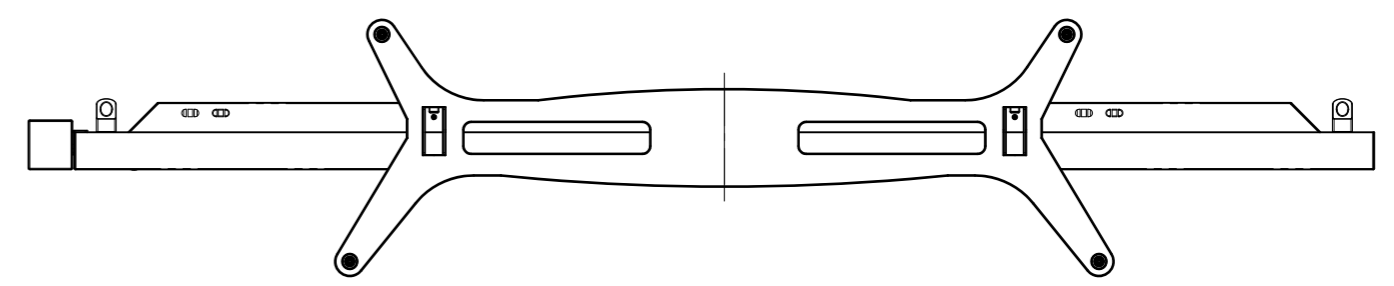
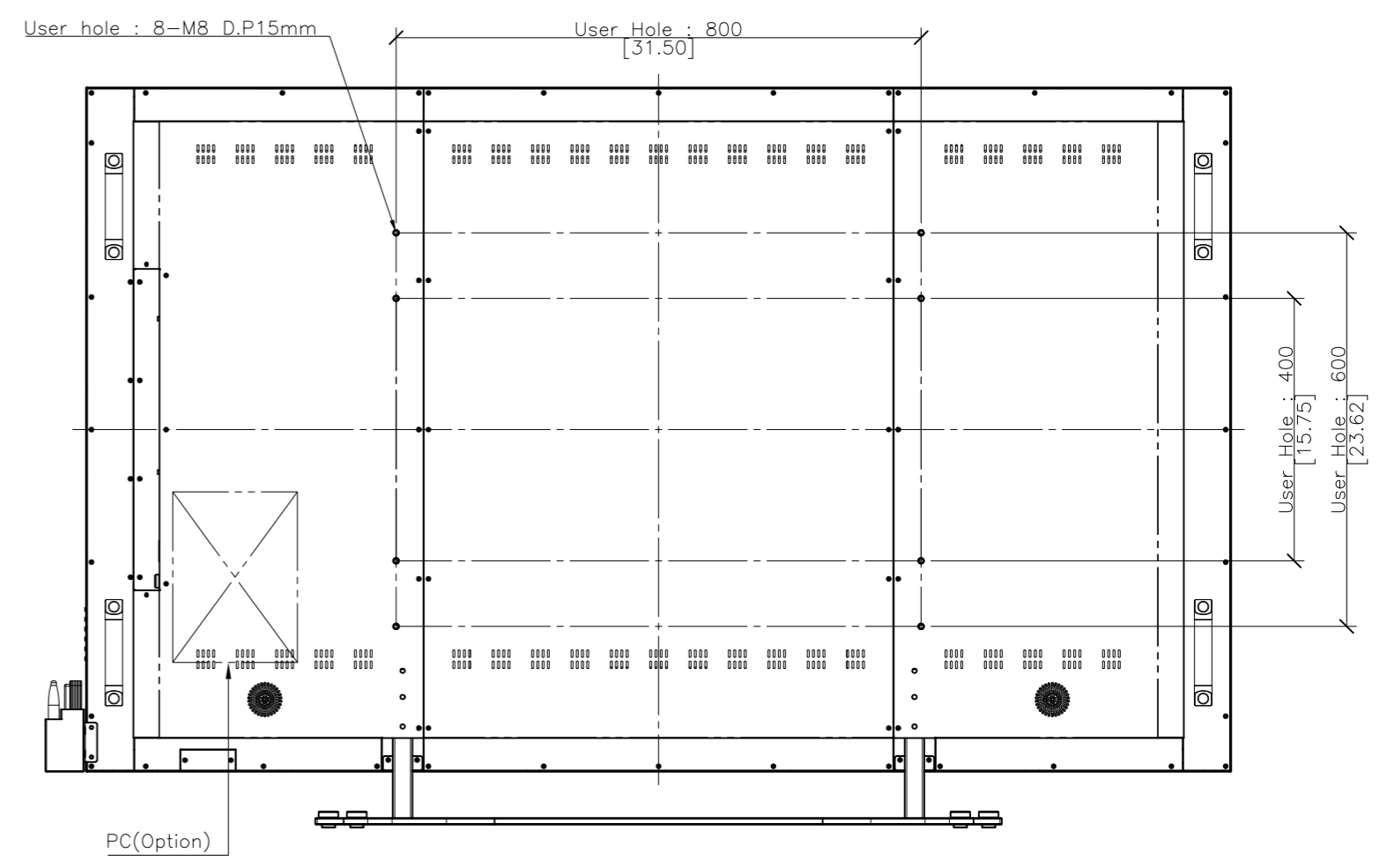
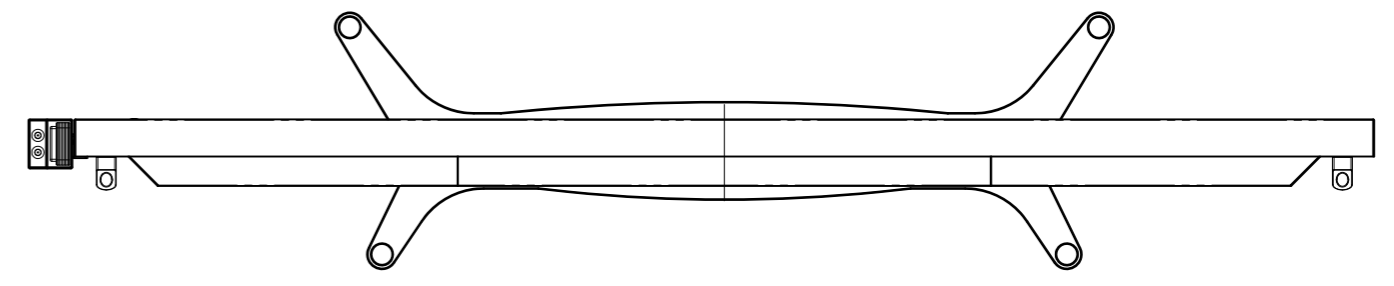
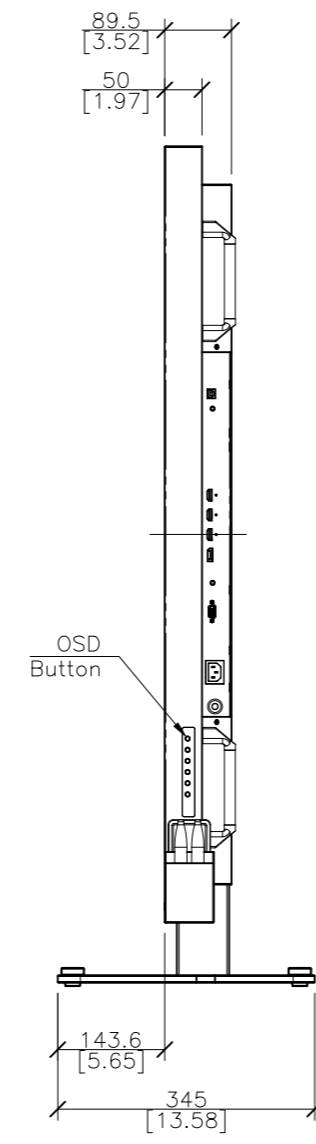
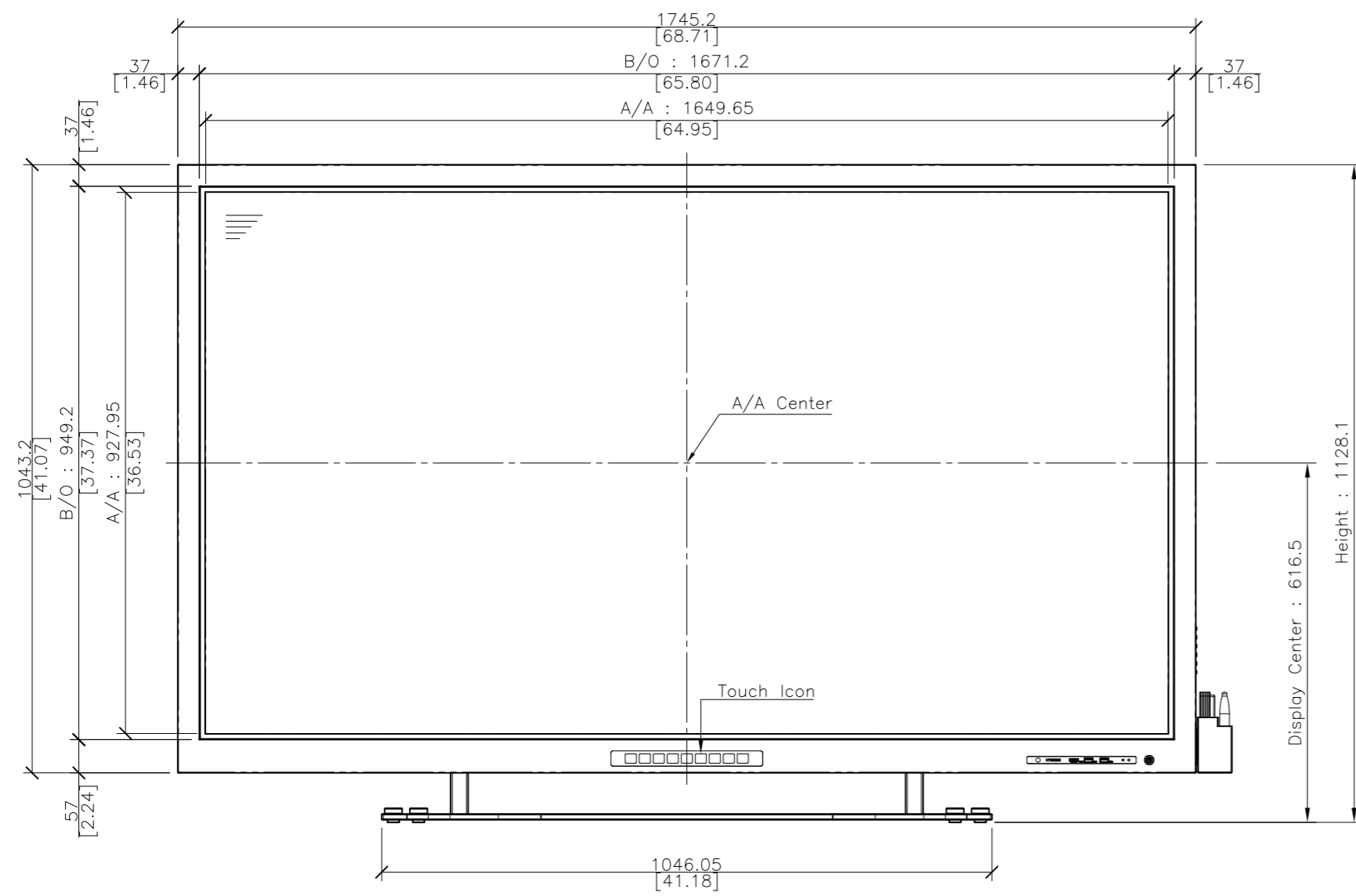
REV. NO		REV. HISTORY	LTR	ECO NO	DATE	APPR'L
DWG	PART					
00	00	INITIAL RELEASE	-	-	-	-



- NOTES**
1. LCD Panel : 75"
 2. Tempered Glass : 4.0t
 3. Color : Black

DRAWN	PLANNED	CHECKED	APPROVED	UNLESS OTHERWISE SPECIFIED ALL DIMENSION ARE IN MILLIMETERS	ANGLE 3rd.	TITLE	UNIT : mm
S.W.SEO	S.H.JANG	S.H.JANG	Y.T.KIM	TOLERANCES ARE: LINEAR : X ± 0.20 X ± 0.1 XX ± 0.01 ANGLES : ± 0.1° RADIUS UNLESS NOTED : R 0.3	SCALE : 1/10	E75UAEI (With Stand) EXTERIOR VIEW	TYPE : ASSY
HYUNDAI IT CO., LTD. MODEL NAME (CODE): E75UAEI (With Stand) FILE NAME : LAYOUT_E75UAEI_LGD_171110.DWG				CUSTOMER: HDT	DWG REV : 00 SHT NO : 1/1	DWG(PART) NO. E75UAEI_003	SIZE : A2

REV. NO		REV. HISTORY	LTR	ECO NO	DATE	APPR'L
DWG	PART					
00	00	INITIAL RELEASE	-	-	-	-



- NOTES**
- LCD Panel : 75"
 - Tempered Glass : 4.0t
 - Color : Black

DRAWN	PLANNED	CHECKED	APPROVED	UNLESS OTHERWISE SPECIFIED ALL DIMENSION ARE IN MILLIMETERS	ANGLE 3rd.	TITLE : E75UAEI (With Table Stand) EXTERIOR VIEW	UNIT : mm
S.W.SEO	S.H.JANG	S.H.JANG	Y.T.KIM		SCALE : 1/10		TYPE : ASSY
'17.11.10	'17.11.10	'17.11.10	'17.11.10	TOLERANCES ARE: LINEAR : X ± 0.20 X ± 0.1 XX ± 0.01 ANGLES : ± 0.1° RADIUS UNLESS NOTED : R 0.3		DWG REV : 00	SIZE : A2
HYUNDAI IT CO., LTD.				MODEL NAME (CODE): E75UAEI (With Table Stand)	CUSTOMER: HDT	SHT NO : 1/1	
				FILE NAME : LAYOUT_E75UAEI_LGD_171110.DWG		DWG(PART) NO. E75UAEI_004	

This drawing is the property of HYUNDAI IT CO.,LTD. and should not be disclosed to any third party without prior permission of HYUNDAI IT CO.,LTD..