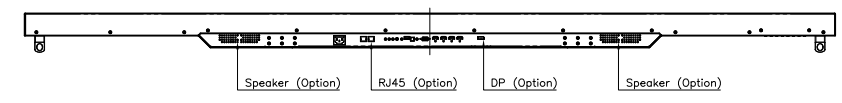
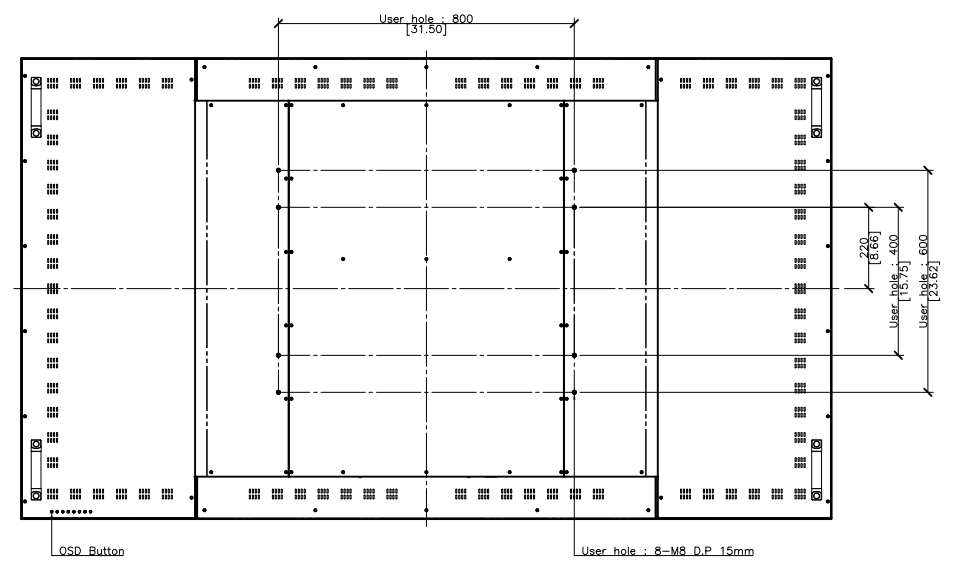
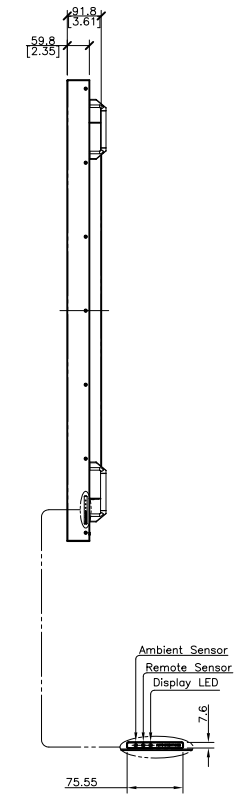
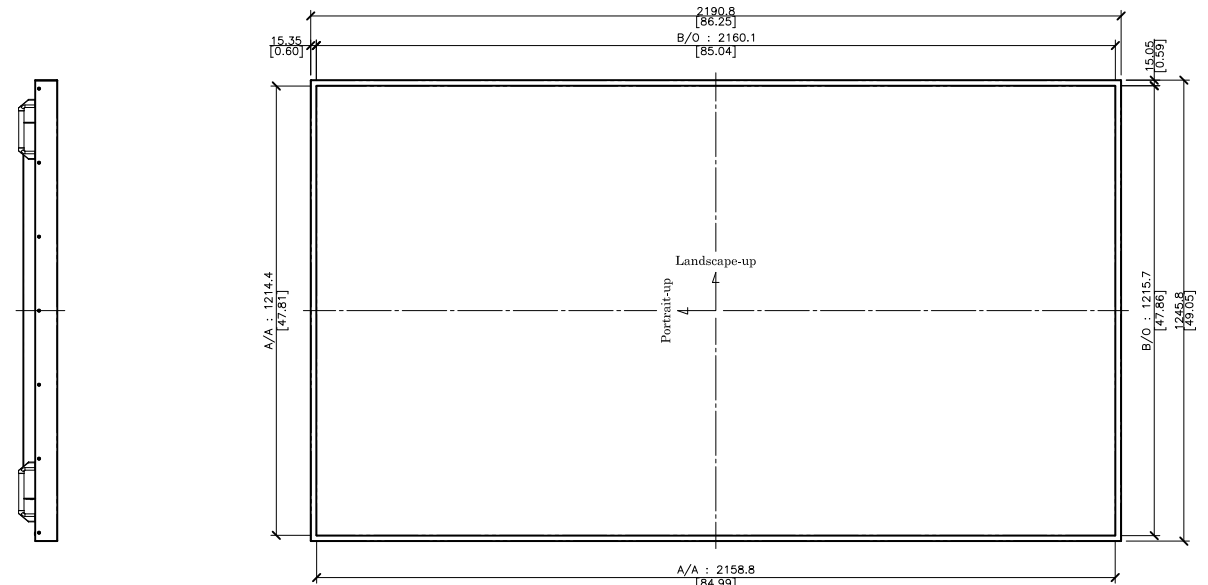
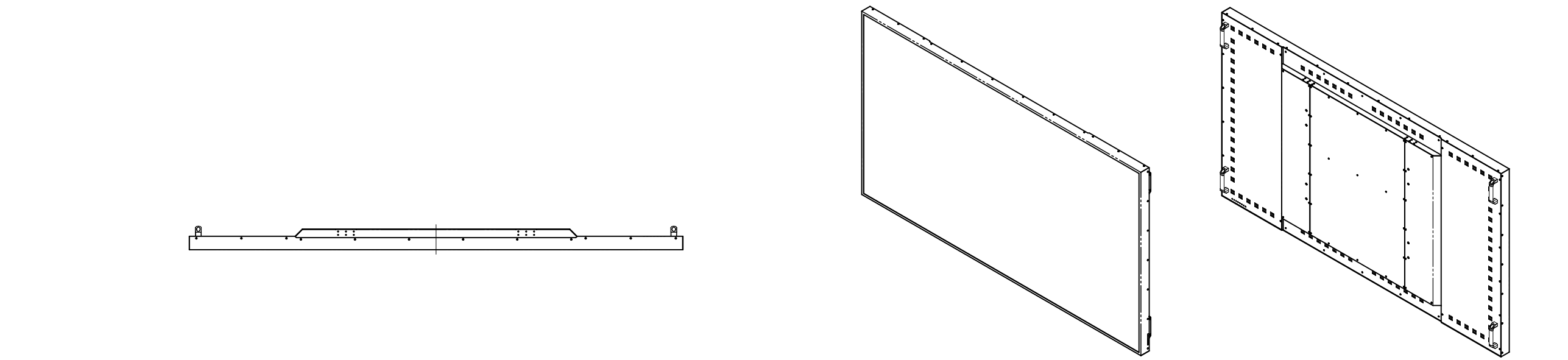


REV. NO	DWG PART	REV. HISTORY	LTR	ECO NO	DATE	APPRL
00	00	INITIAL RELEASE	-	-	-	-



NOTES.
 1. LCD Panel : 98"
 2. Color : Black

DRAWN	PLANNED	CHECKED	APPROVED	UNLESS OTHERWISE SPECIFIED ALL DIMENSIONS ARE IN MILLIMETERS	ANGLE	TITLE	UNIT
S.W.SHO	S.H.AANG	S.H.AANG	Y.T.KIM	TOLERANCES ARE LINEAR X ±0.2 X ±0.1 XX ±0.01	30°	D98XMN EXTERIOR VIEW	mm
75.12.03	18.12.03	75.12.03	18.12.03	ANGLES ±0.1° R40 UNLESS NOTED R.60			PART
MODEL NAME CODE: D98XMN FILE NAME: LANGUET_D98XMN SERIES_210600.DWG				CUSTOMER: HYUNDAI	DWG REV: 00	DWG(PART) NO. D98XMN_001	SIZE: A1