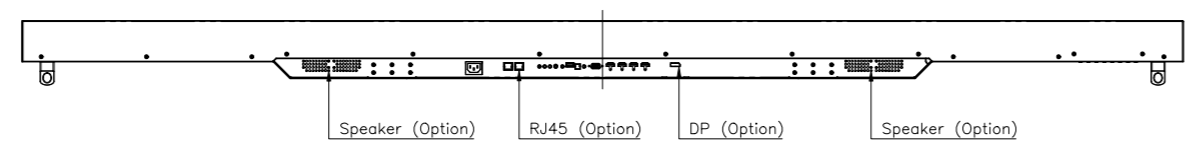
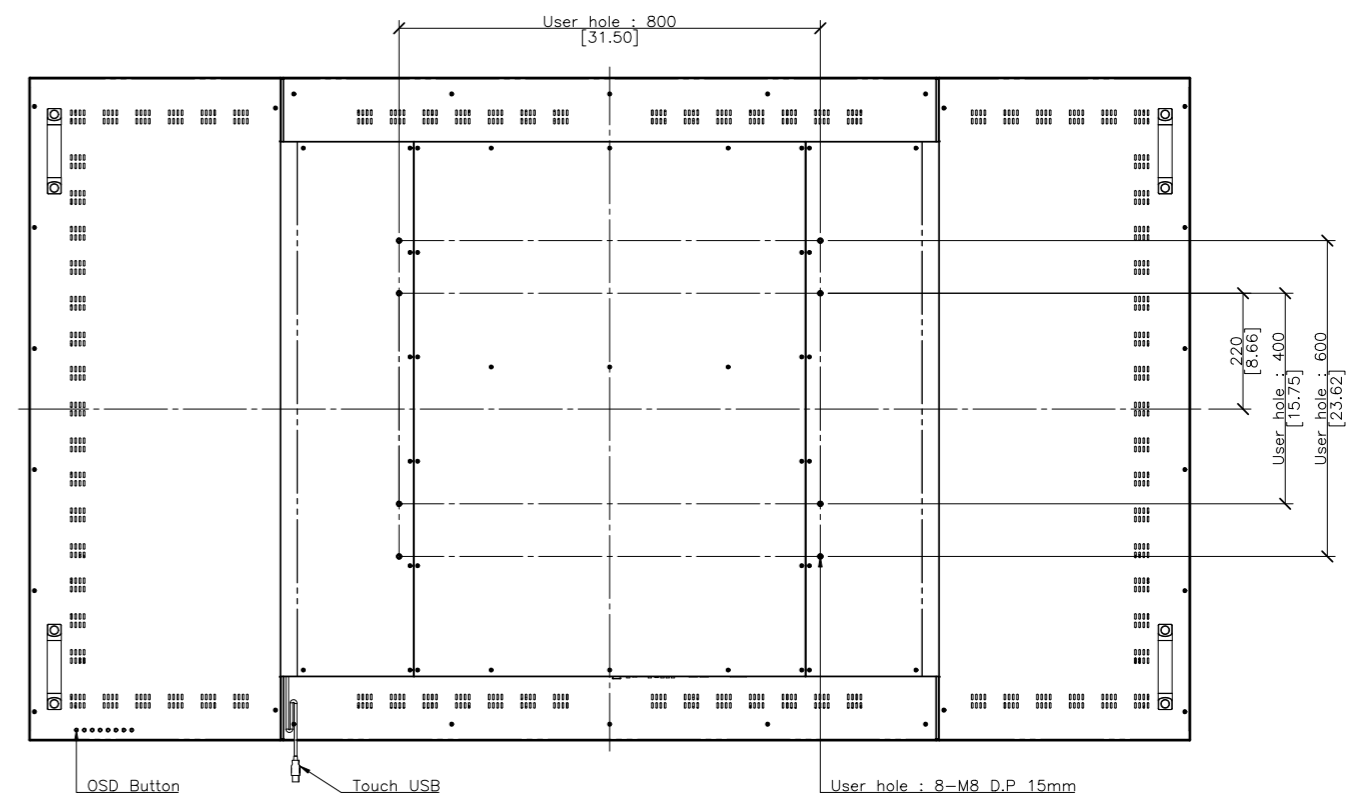
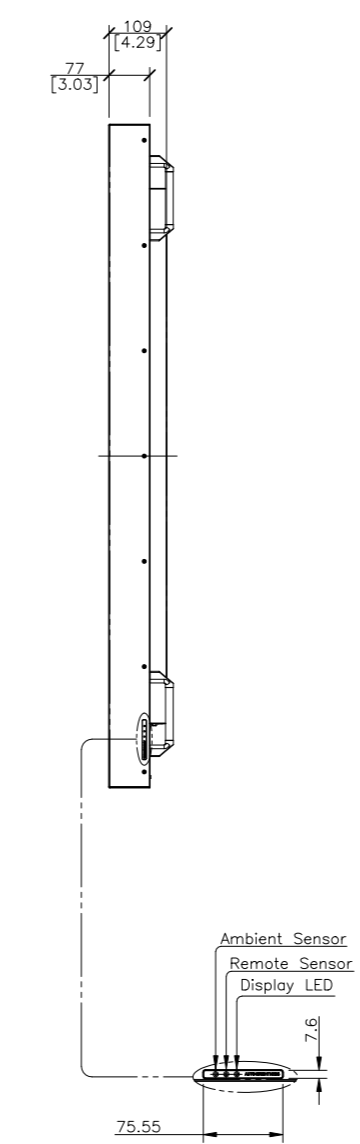
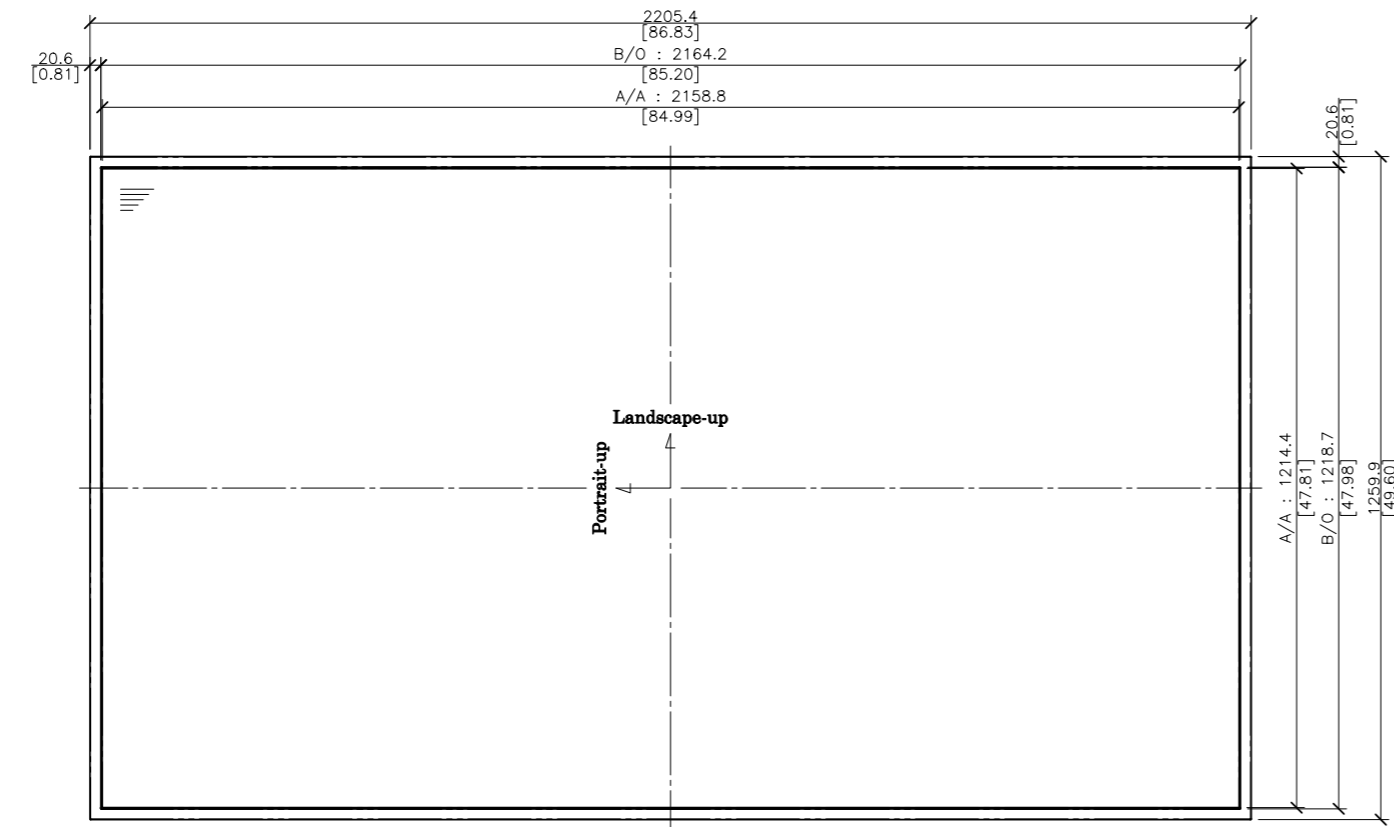
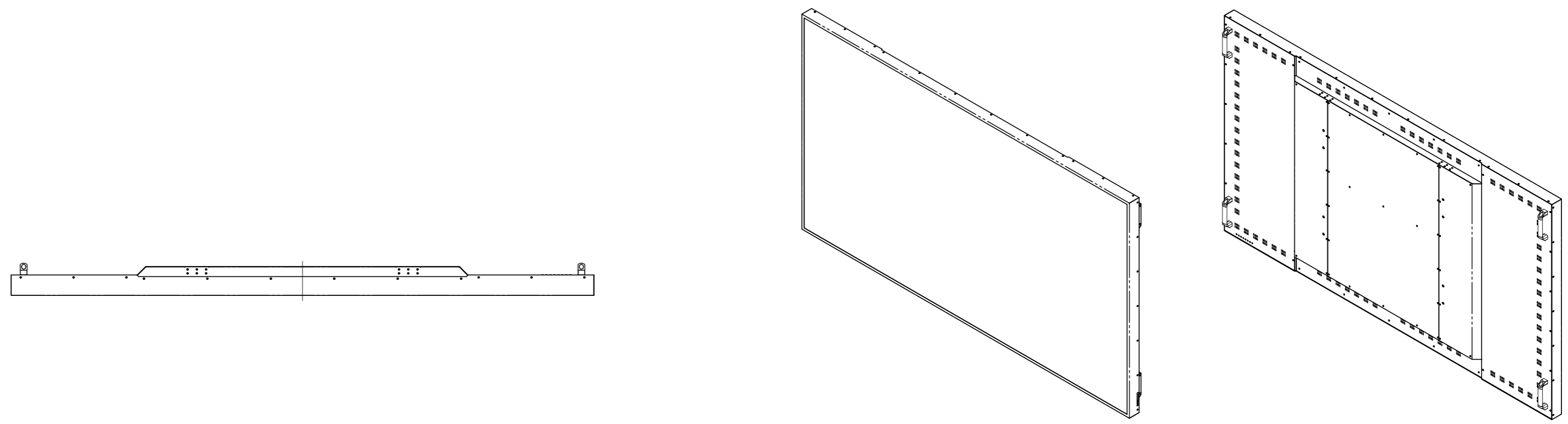


REV. NO	DWG PART	REV. HISTORY	LTR	ECO NO	DATE	APPR'L
00	00	INITIAL RELEASE	-	-	-	-



NOTES
 1. LCD Panel : 98"
 2. Tempered Glass : 5.0t
 3. Color : Black

DRAWN	PLANNED	CHECKED	APPROVED	TOLERANCE UNLESS OTHERWISE SPECIFIED ALL DIMENSION ARE IN MILLIMETERS	ANGLE	TITLE	UNIT
S.W.SHO	S.H.JANG	S.H.JANG	Y.T.KIM	TOLERANCE ARE : FRACTIONAL : ±0.1 XX ±0.01 DECIMAL : ±0.05 ANGLE : ±15" RAUN UNLESS NOTED : R.03	SCALE :	D98XMNI EXTERIOR VIEW	mm
21.06.30	21.06.30	21.06.30	21.06.30		1/10	DWG(PART) NO. D98XMNI_001	PART
HYUNDAI IT CO., LTD.				MODEL NAME (CODE): D98XMNI	CUSTOMER: RENT	DWG REV : 00	SIZE: A1
				FILE NAME: LAYOUT_D98XMNI_SHEET01_210630.DWG		SHT NO : 1/1	

This drawing is the property of HYUNDAI IT CO.,LTD. and should not be disclosed to any third party without prior permission of HYUNDAI IT CO.,LTD.