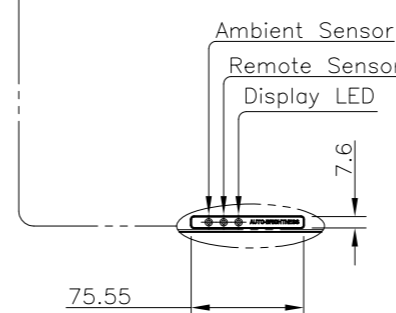
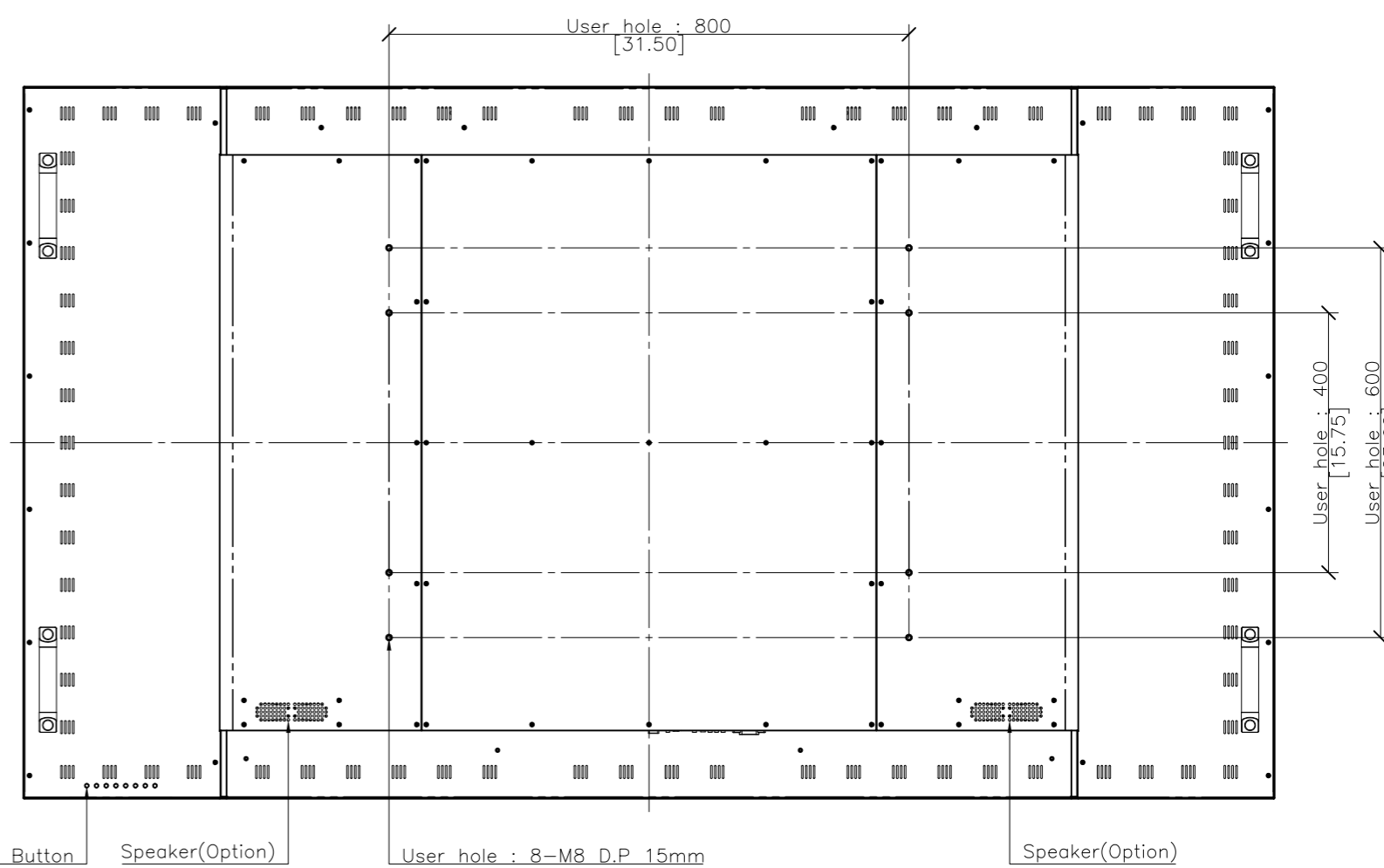
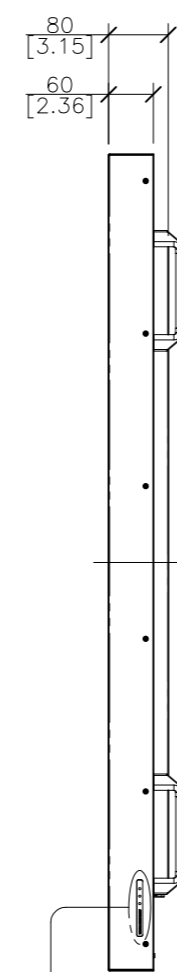
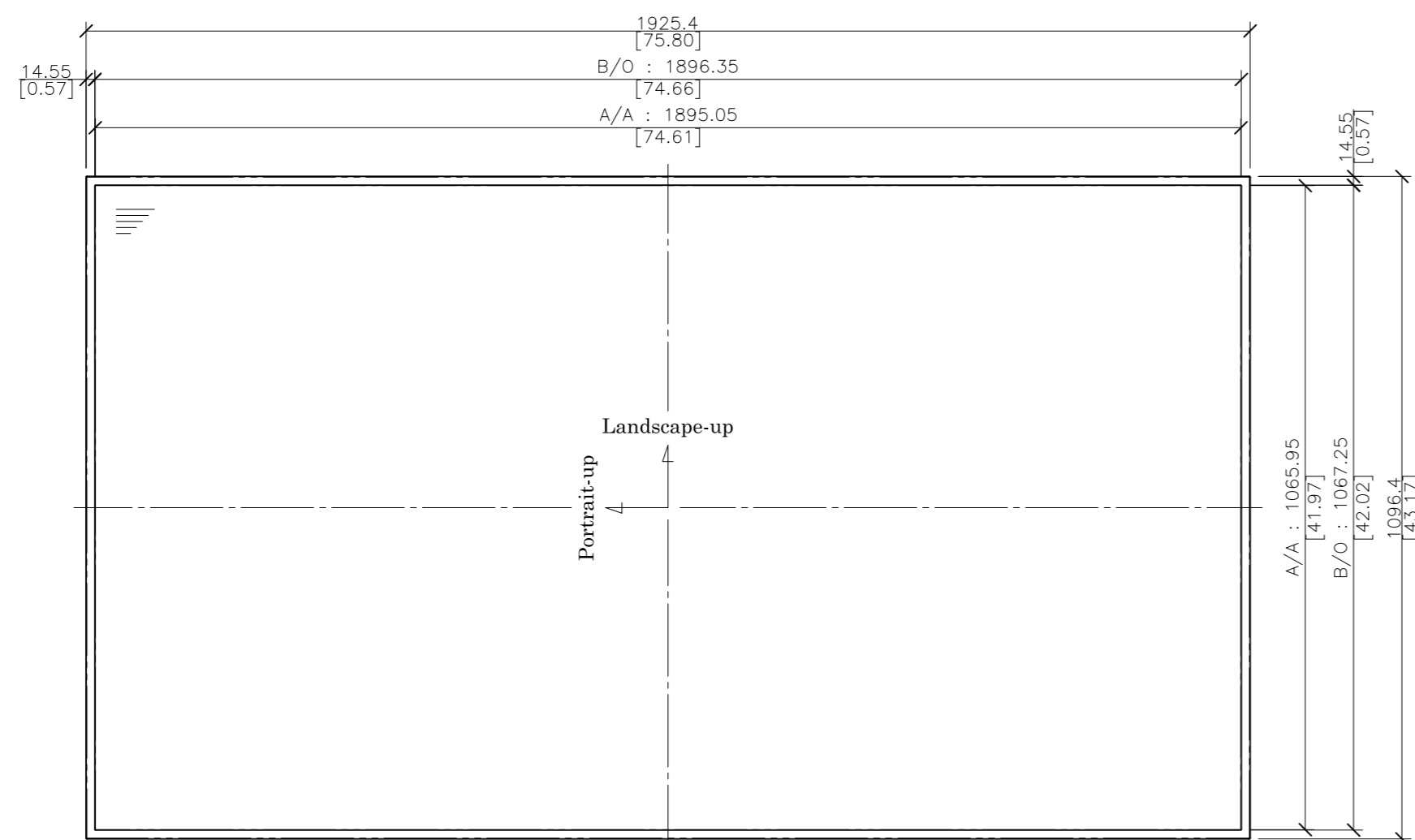
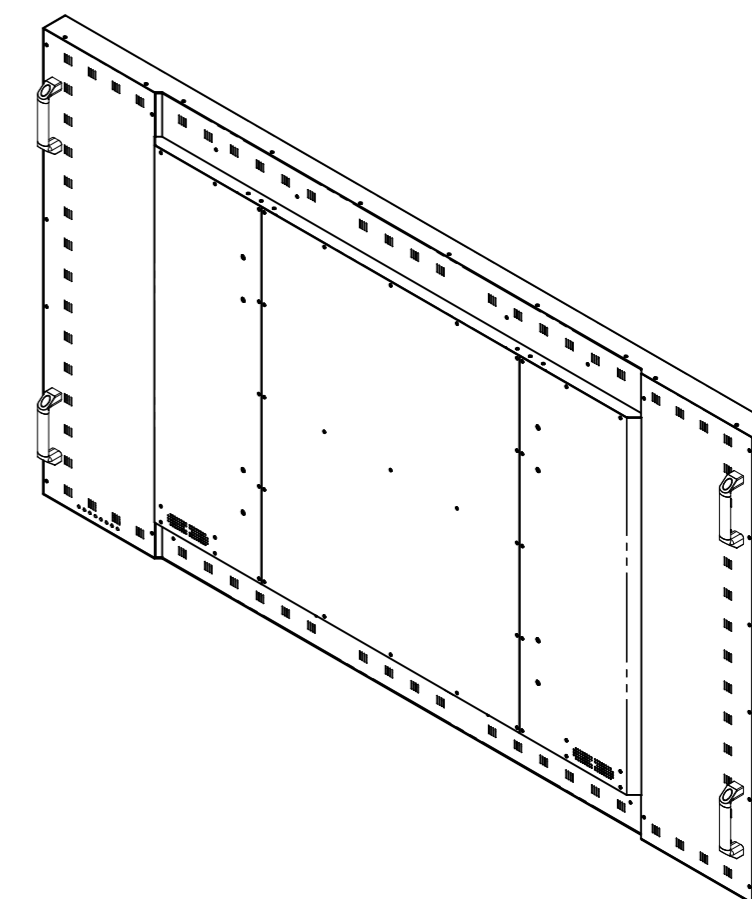
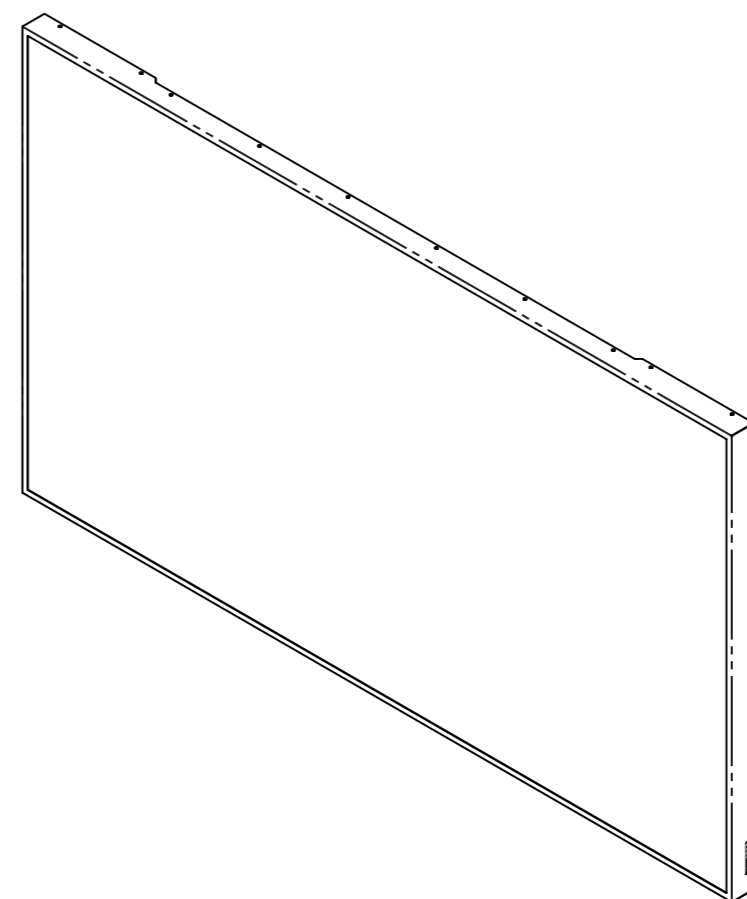
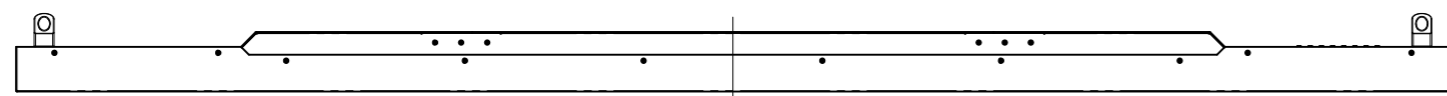


REV. NO		REV. HISTORY	LTR	ECO NO	DATE	APPR'L
DWG	PART					
00	00	INITIAL RELEASE	-	-	-	-



- NOTES**
1. LCD Panel : 86" LED Back Light Panel
  2. Tempered Glass : 5.0t
  3. Material : E.G.I
  4. Color : Black

DRAWN	PLANNED	CHECKED	APPROVED	UNLESS OTHERWISE SPECIFIED ALL DIMENSION ARE IN MILLIMETERS	ANGLE 3rd.	TITLE	UNIT: mm
S.W.SEO	S.H.JANG	S.H.JANG	Y.T.KIM	TOLERANCES ARE: LINEAR : X ± 0.20 X ± 0.1 XX ± 0.01 ANGLES : ± 0.1° RADIH UNLESS NOTED : R 0.3	SCALE : 1/10	D86XMNG EXTERIOR VIEW	TYPE : ASSY
'17.06.14	'17.06.14	'17.06.14	'17.06.14	MODEL NAME (CODE): D86XMNG	CUSTOMER: HDT	DWG REV : 00	DWG(PART) NO. D86XMNG_001
HYUNDAI IT CO., LTD.				FILE NAME : LAYOUT_D86XMNG_170614.DWG	DWG REV : 00	SHT NO : 1/1	SIZE : A2

This drawing is the property of HYUNDAI IT CO.,LTD. and should not be disclosed to any third party without prior permission of HYUNDAI IT CO.,LTD..