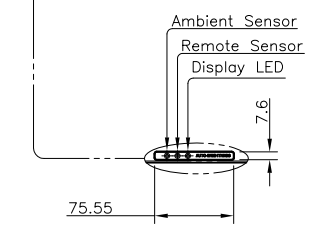
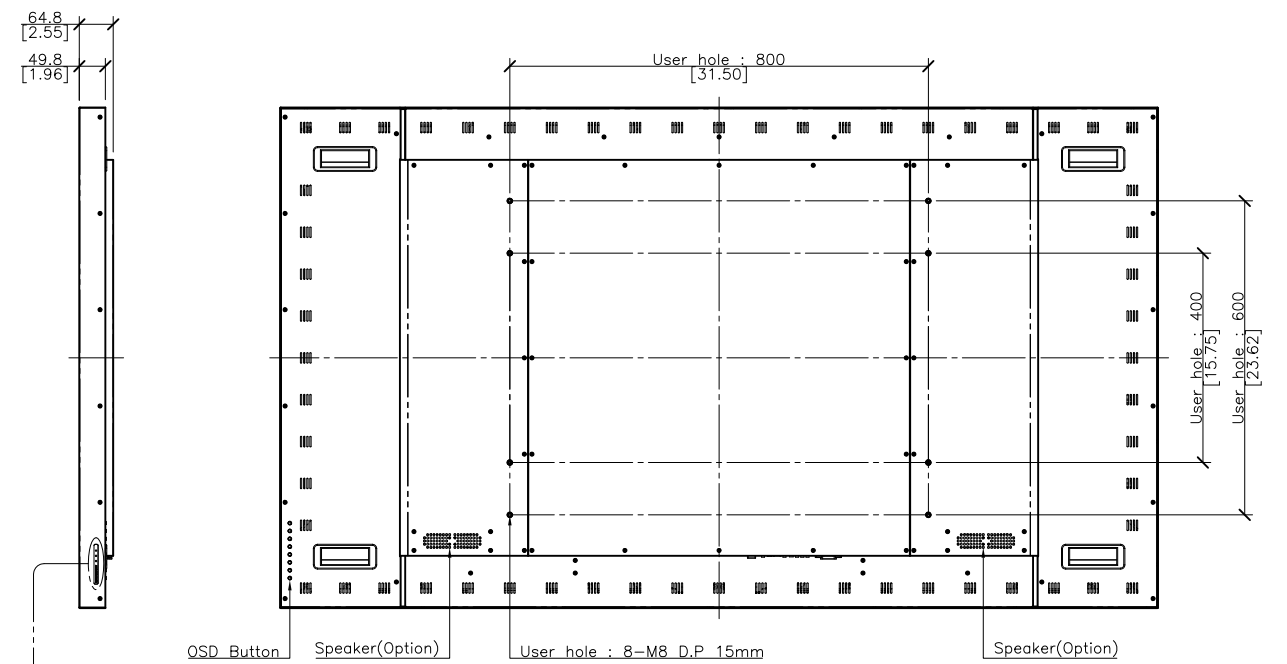
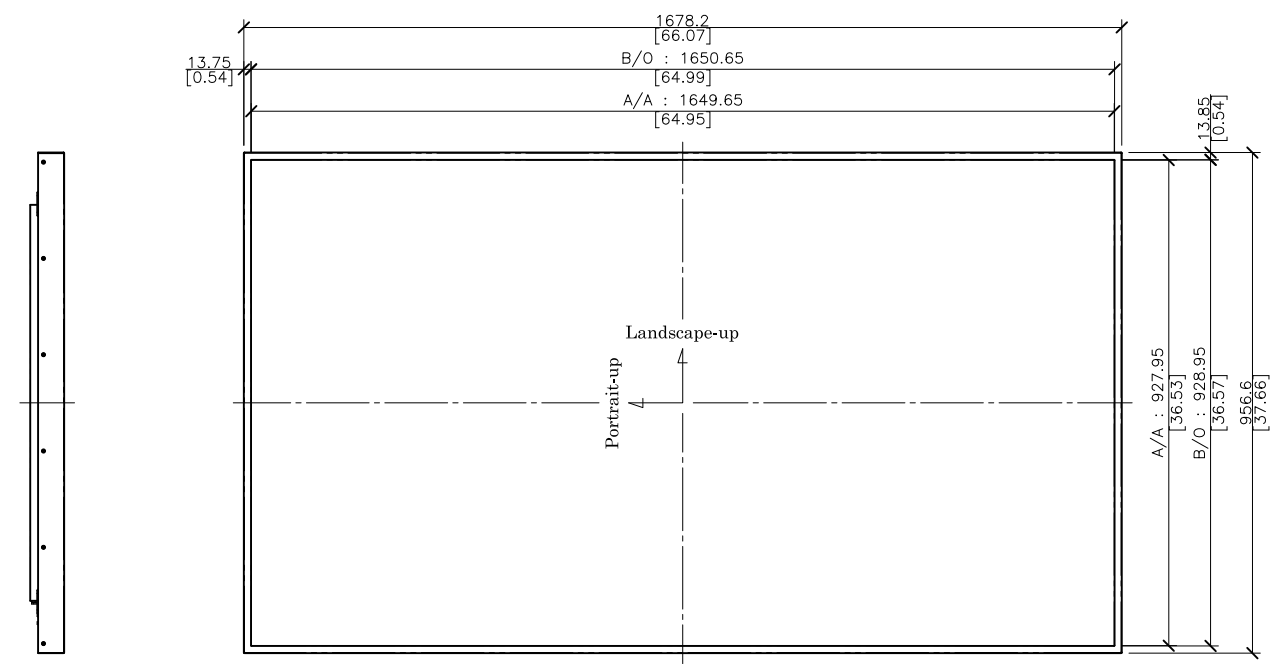
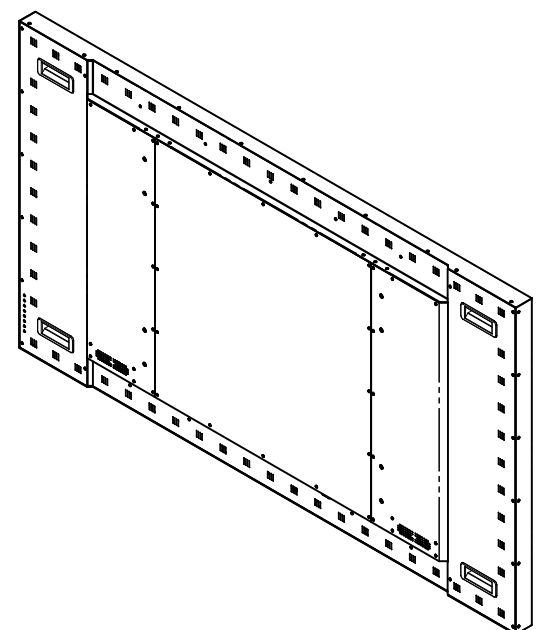
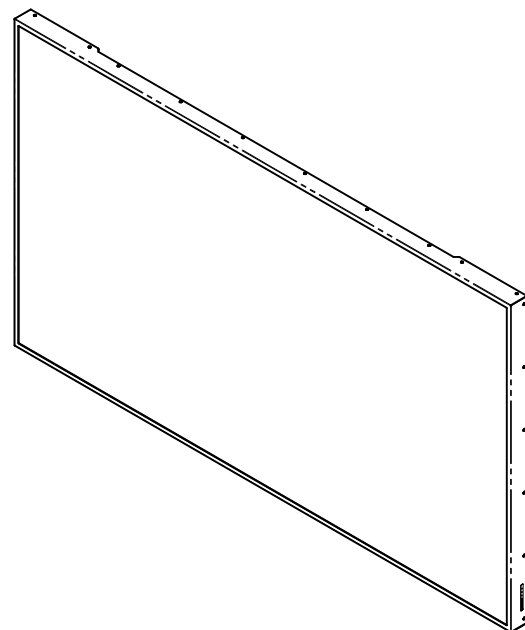
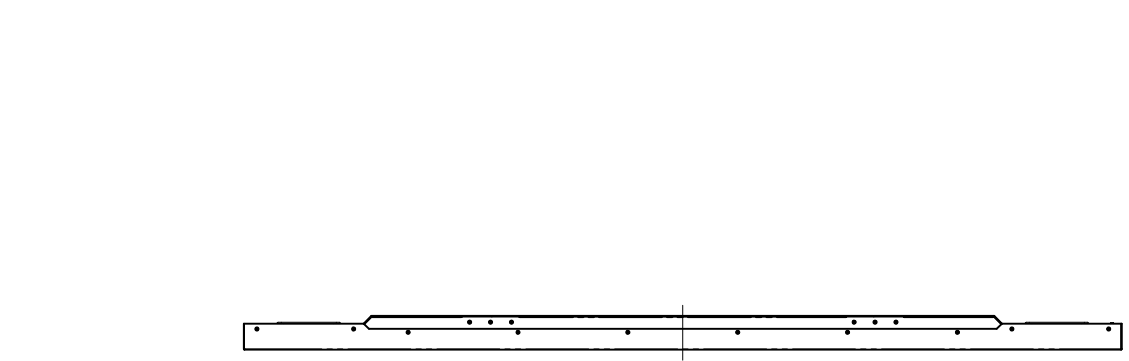


| REV. NO | | REV. HISTORY | LTR | ECO NO | DATE | APPR |
|---------|------|-----------------|-----|--------|------|------|
| DWG | PART | | | | | |
| 00 | 00 | INITIAL RELEASE | - | - | - | - |



- NOTES**
- LCD Panel : 75" LED Back Light Panel
 - Material : E.G.I
 - Color : Black

| | | | | | | | |
|----------------------|-----------|-----------|-----------|---|------------------|------------------------------------|----------------|
| DRAWN | PLANNED | CHECKED | APPROVED | UNLESS OTHERWISE SPECIFIED ALL DIMENSION ARE IN MILLIMETERS TOLERANCES ARE : LINEAR : X ± 0.20 X ± 0.1 XX ± 0.01 ANGLES : ± 0.1° RADI UNLESS NOTED : R 0.3 | ANGLE 3rd. | TITLE : D75XMN EXTERIOR VIEW | UNIT : mm |
| S.W.SEO | S.H.JANG | S.H.JANG | Y.T.KIM | | SCALE : 1/10 | | TYPE : ASSY |
| '17.07.12 | '17.07.12 | '17.07.12 | '17.07.12 | MODEL NAME (CODE): D75XMN | CUSTOMER HDIT | DWG REV : 00 | SIZE : A2 |
| HYUNDAI IT CO., LTD. | | | | FILE NAME : LAYOUT_D75XMN_170712.DWG | SHT NO : 1/1 | DWG(PART) NO. D75XMN_001 | |

This drawing is the property of HYUNDAI IT CO.,LTD. and should not be disclosed to any third party without prior permission of HYUNDAI IT CO.,LTD.