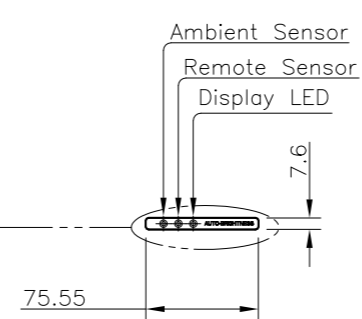
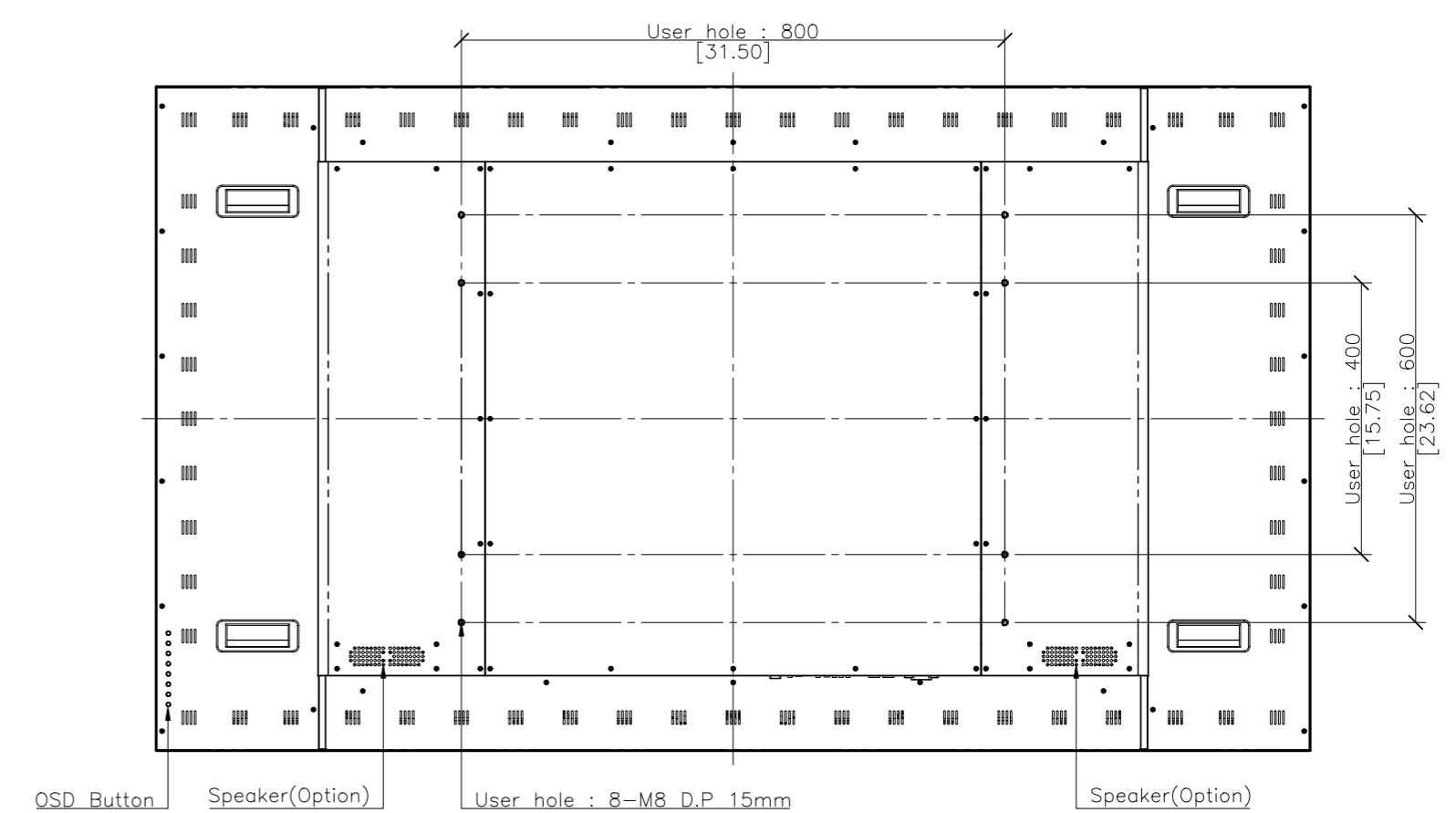
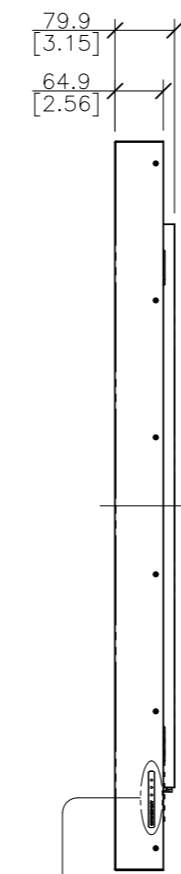
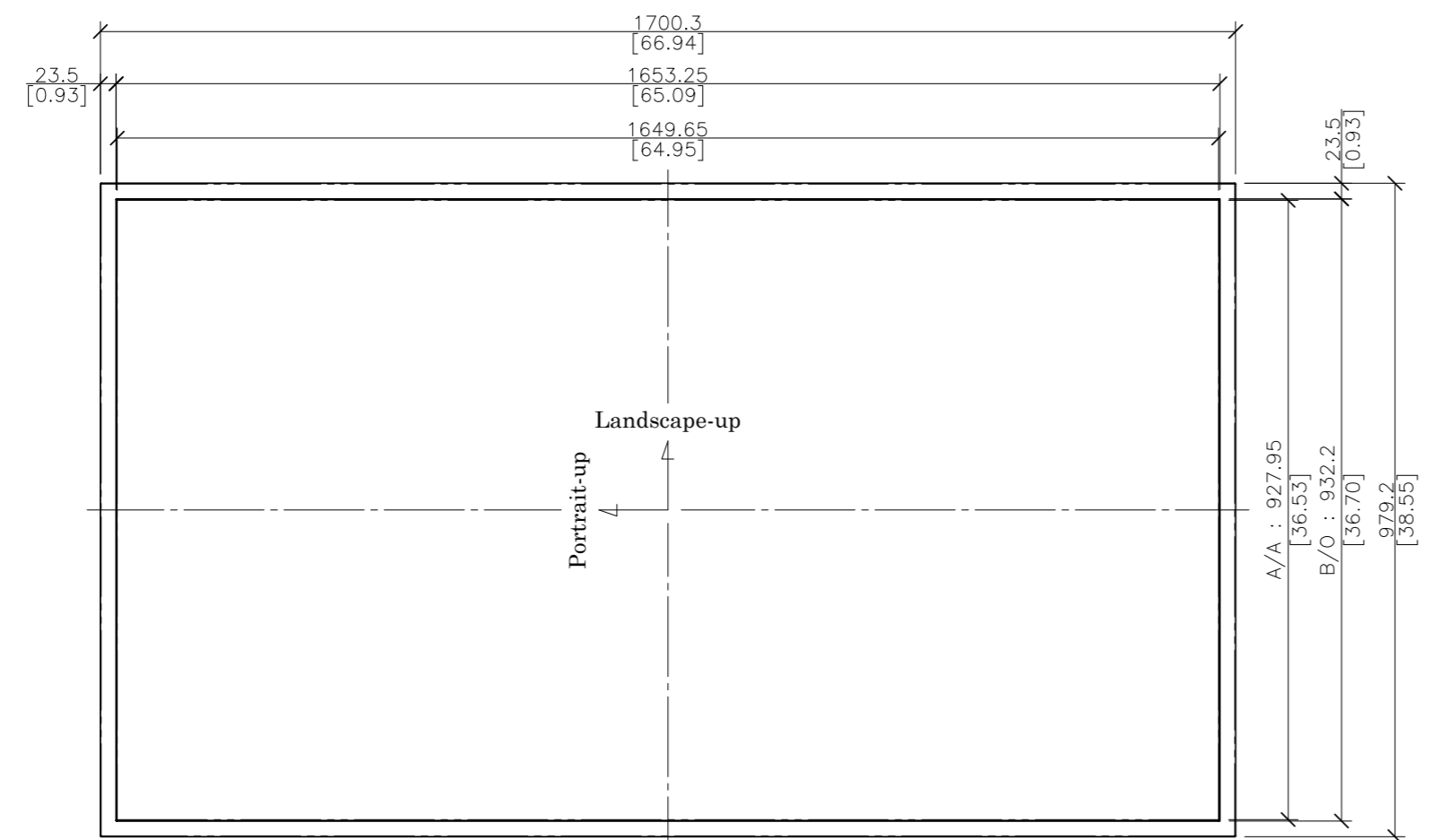
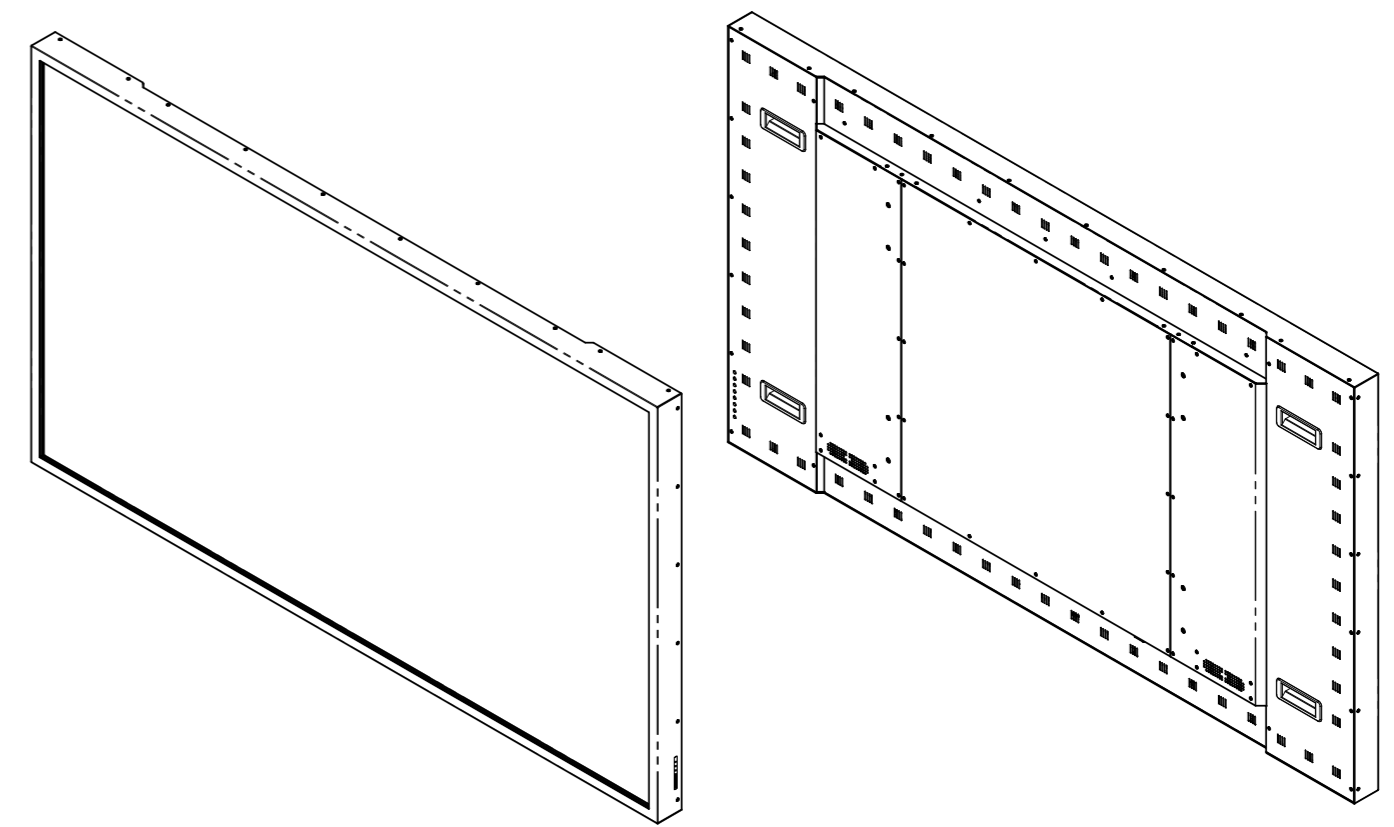
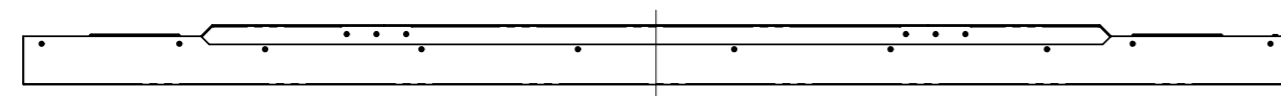


REV. NO		REV. HISTORY	LTR	ECO NO	DATE	APPR'L
DWG	PART					
00	00	INITIAL RELEASE	-	-	-	-



- NOTES**
- LCD Panel : 75" LED Back Light Panel
 - Tempered Glass : 5.0t
 - Material : E.G.I
 - Color : Black

DRAWN	PLANNED	CHECKED	APPROVED	UNLESS OTHERWISE SPECIFIED ALL DIMENSION ARE IN MILLIMETERS	ANGLE 3rd.	TITLE :	UNIT :
Y.C.CHOI	S.W.SEO	S.H.JIANG	Y.T.KIM	TOLERANCES ARE : LINEAR : X ± 0.20 X ± 0.1 XX ± 0.01 ANGLES : ± 0.1° RADI : UNLESS NOTED : R 0.3	SCALE : 1/10	D75XMNI EXTERIOR VIEW	mm
'22.04.26	'22.04.26	'22.04.26	'22.04.26	MODEL NAME (CODE): D75XMNI	CUSTOMER: HDIT	DWG REV : 00	TYPE : ASSY
HYUNDAI IT CO., LTD.				FILE NAME : LAYOUT_D75XM_FLM1_220426.DWG	SHT NO : 1/1	DWG(PART) NO. D75XMNI_001	SIZE : A2