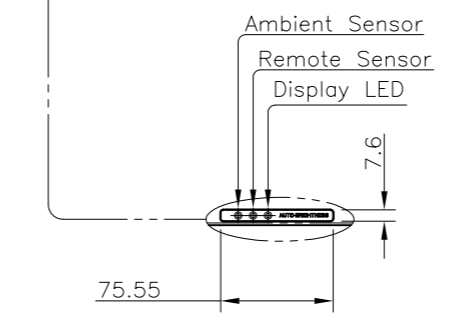
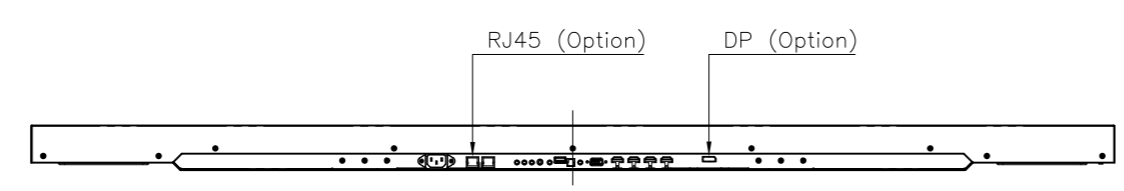
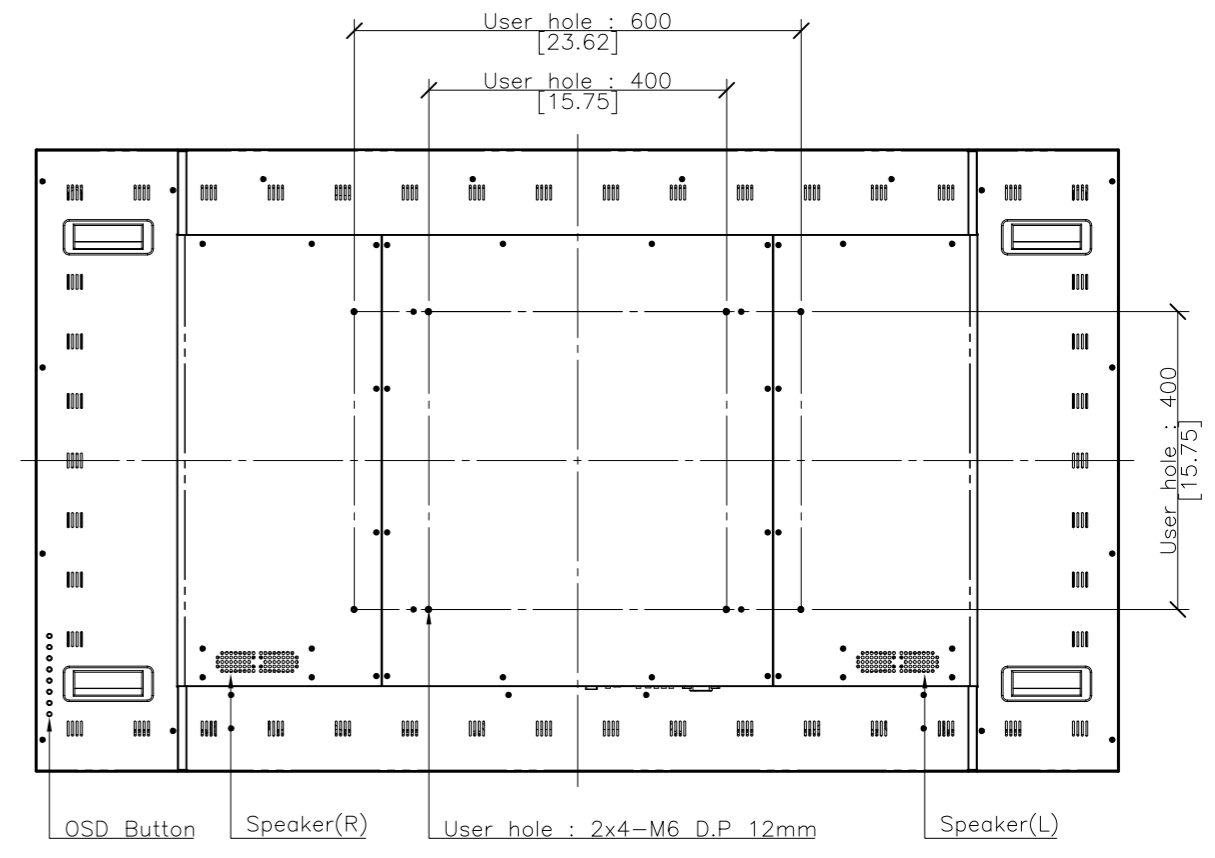
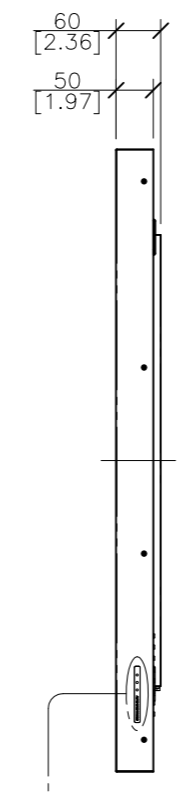
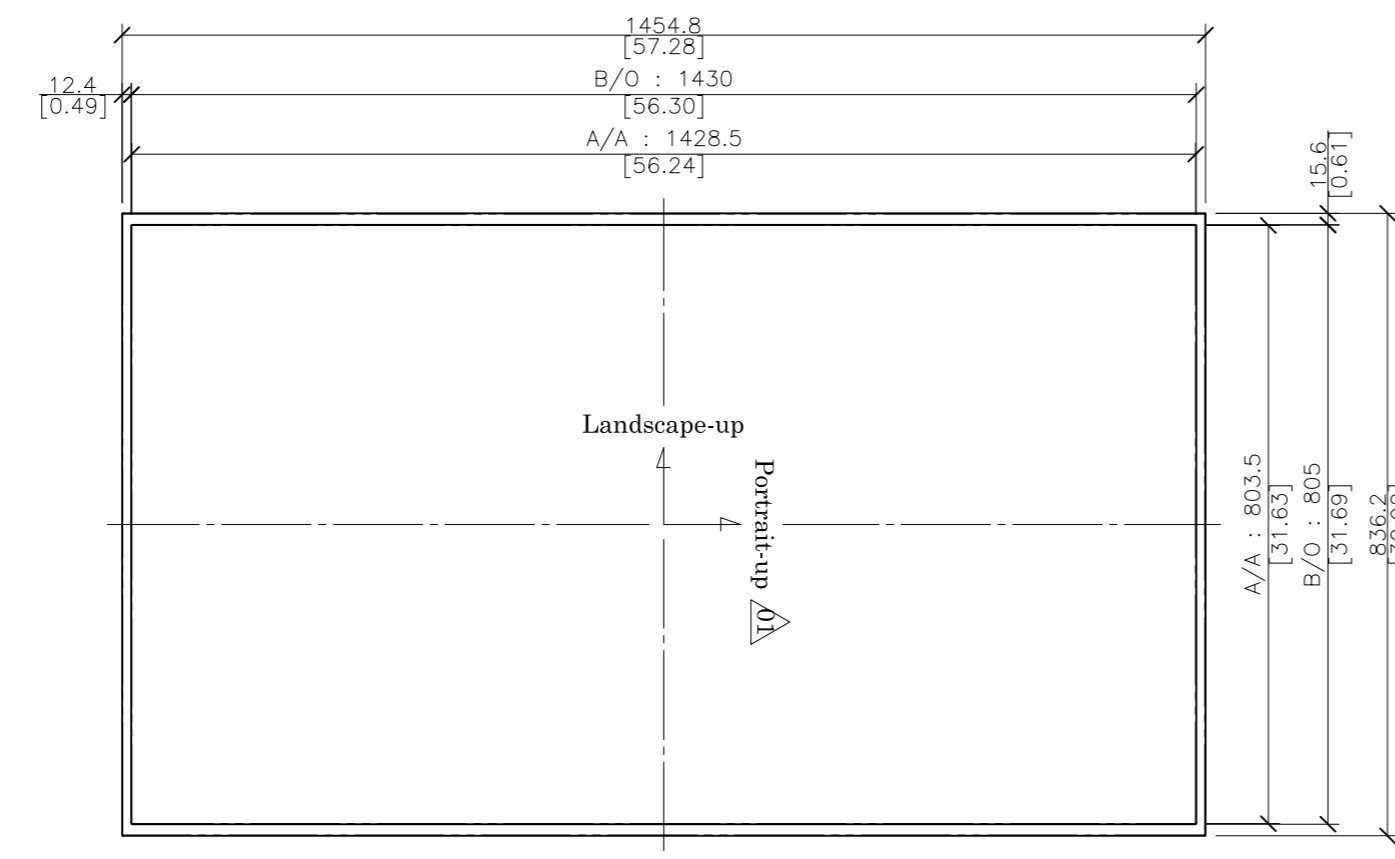
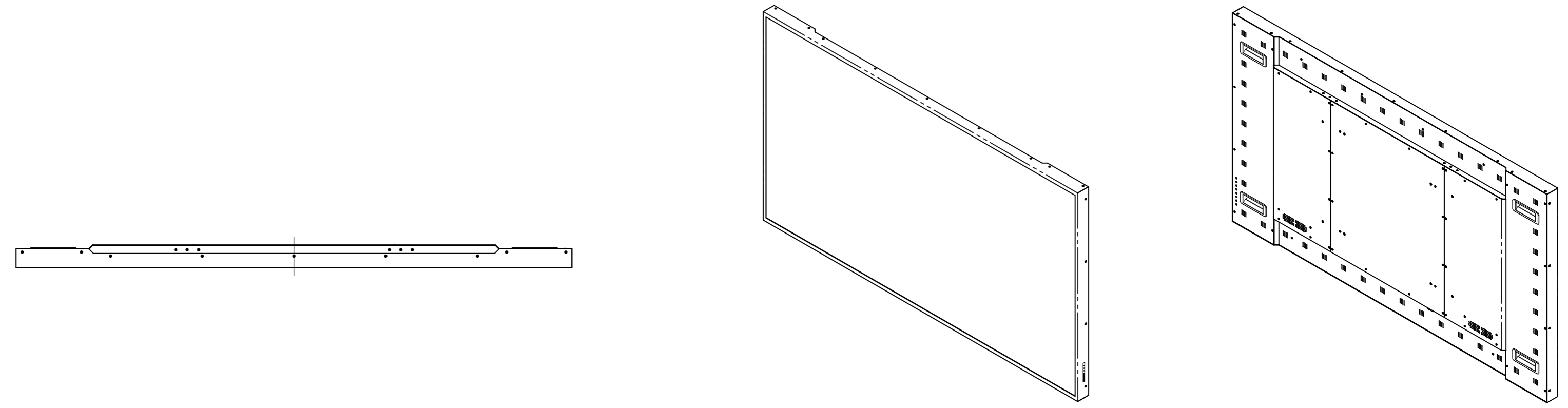


REV. NO		REV. HISTORY	LTR	ECO NO	DATE	APPR'L
DWG	PART					
00	00	INITIAL RELEASE	-	-	-	-
01	01	Portrait mode direction change	△1	01	'20.06.19	'20.06.19



- NOTES**
- LCD Panel : 65"
 - Material : E.G.I
 - Color : Black

DRAWN	PLANNED	CHECKED	APPROVED	UNLESS OTHERWISE SPECIFIED ALL DIMENSION ARE IN MILLIMETERS	ANGLE 3rd.	TITLE	UNIT : mm
S.W.SEO	S.H.JANG	S.H.JANG	Y.T.KIM	TOLERANCES ARE: LINEAR : X ± 0.20 X ± 0.1 XX ± 0.01 ANGLES : ± 0.1° RADII UNLESS NOTED : R 0.3	SCALE : 1/10	D65XMN EXTERIOR VIEW	TYPE : PART
'20.06.23	'20.06.23	'20.06.23	'20.06.23	MODEL NAME (CODE): D65XMN	CUSTOMER: HDT	DWG REV : 00	DWG(PART) NO. D65XMN_001
HYUNDAI IT CO.,LTD.				FILE NAME : LAYOUT_D65XM_SERIES_200623.DWG	SHT NO : 1/1	SIZE : A2	

This drawing is the property of HYUNDAI IT CO.,LTD. and should not be disclosed to any third party without prior permission of HYUNDAI IT CO.,LTD..