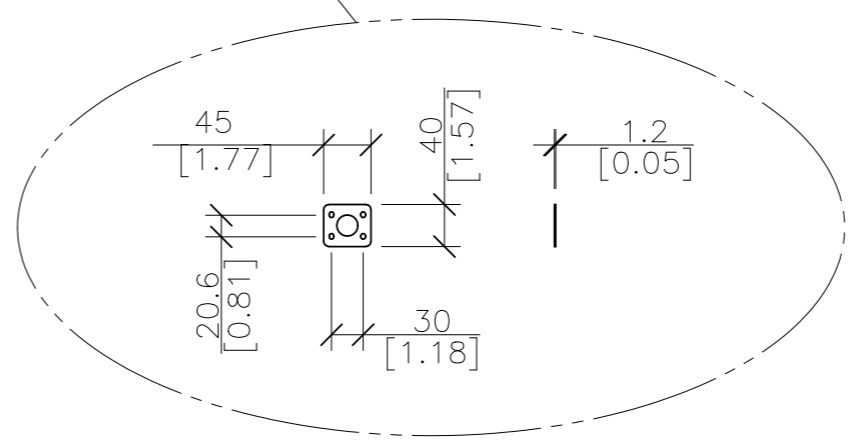
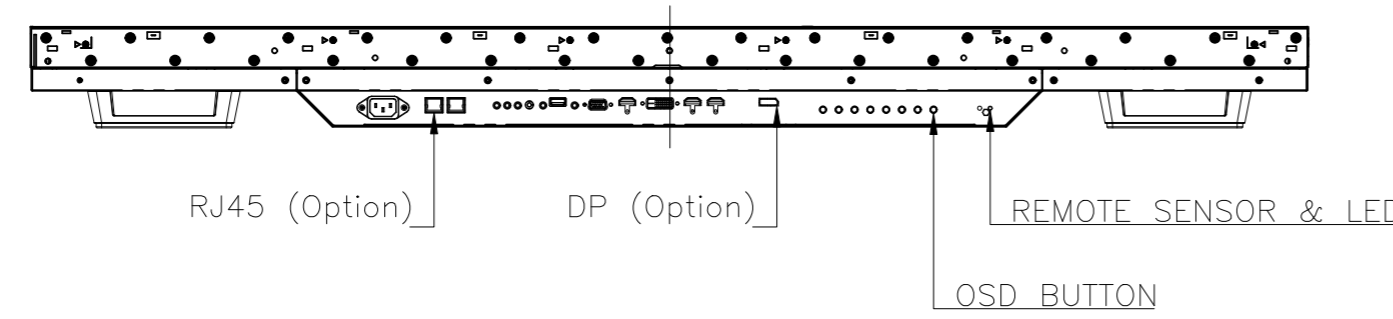
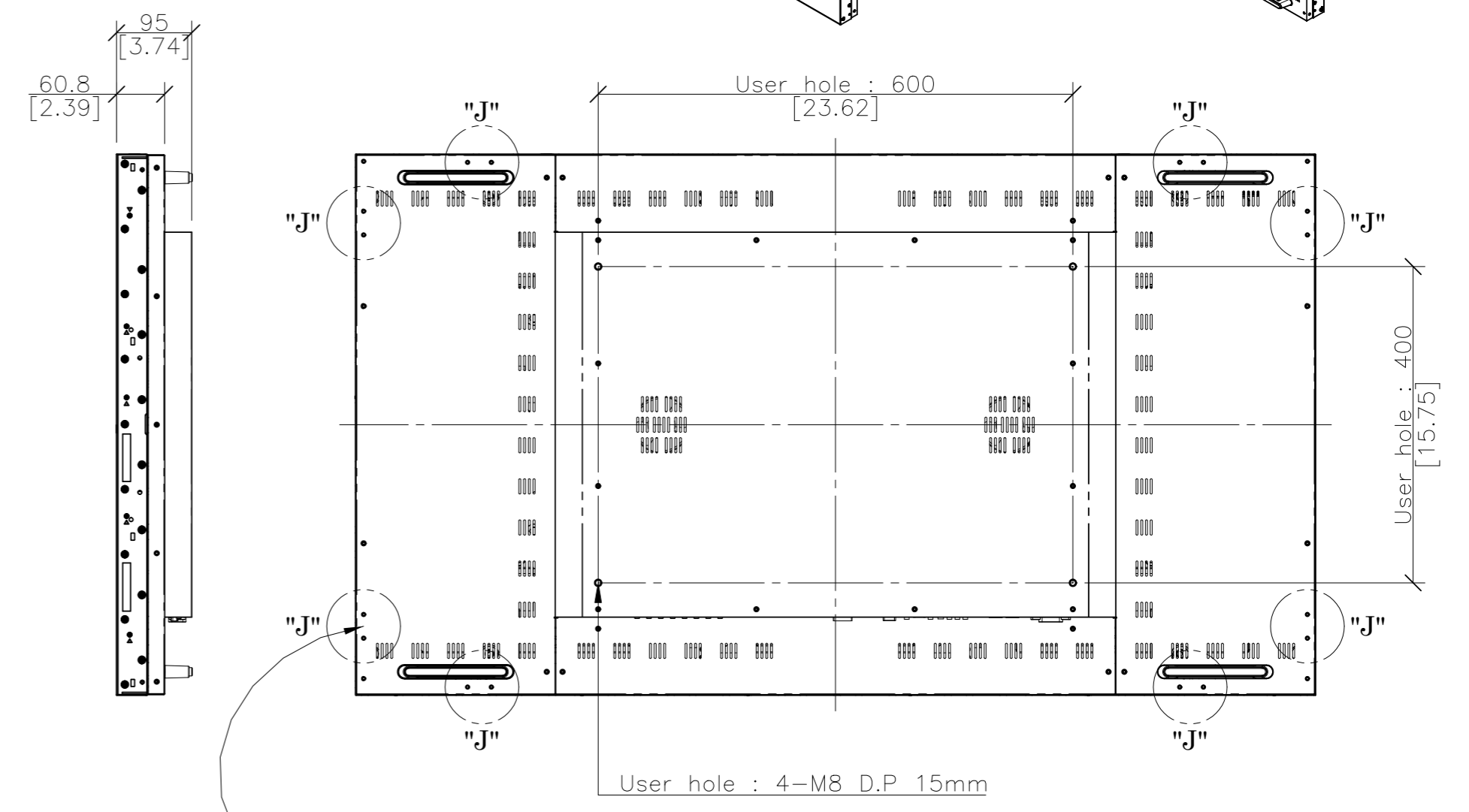
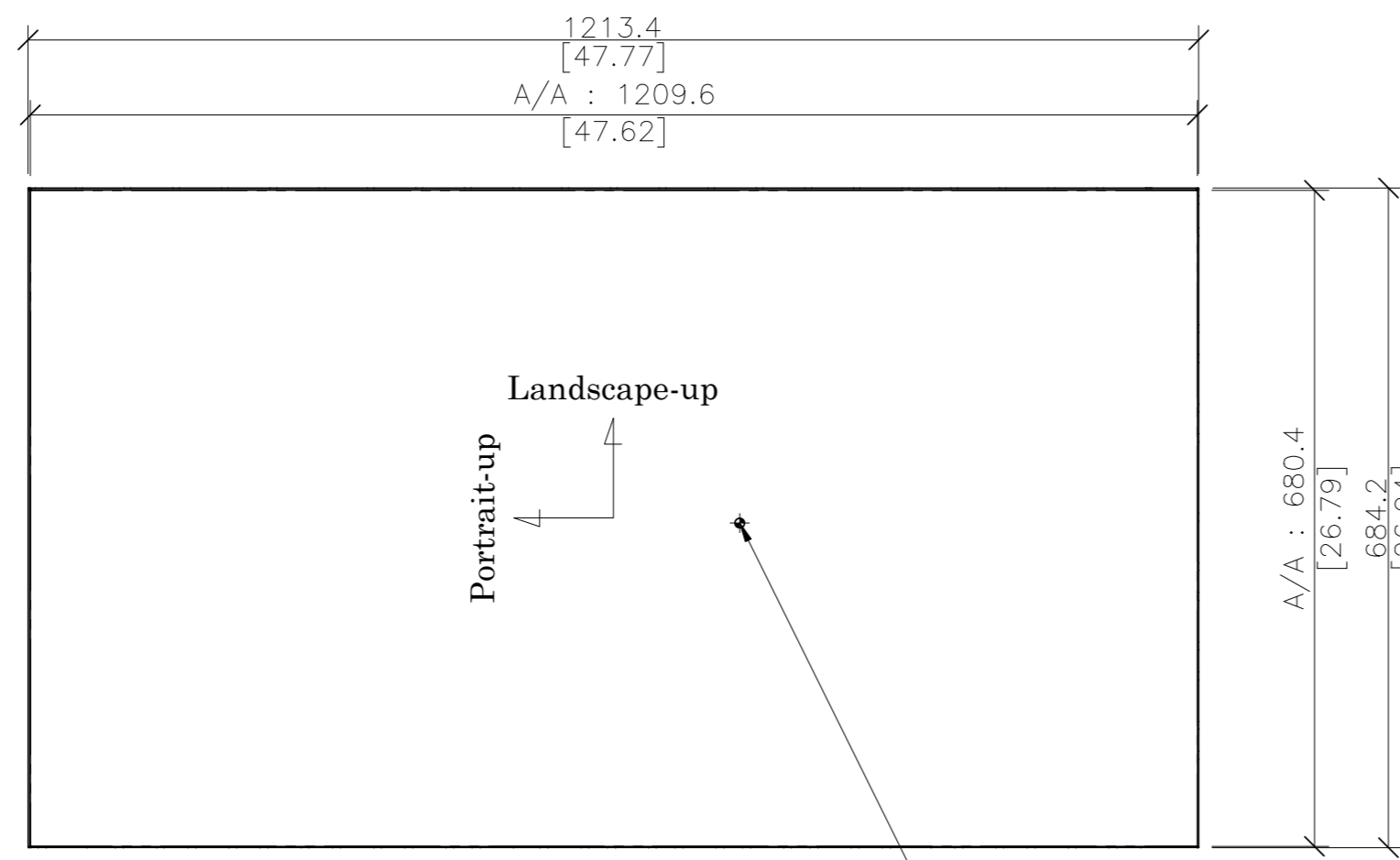
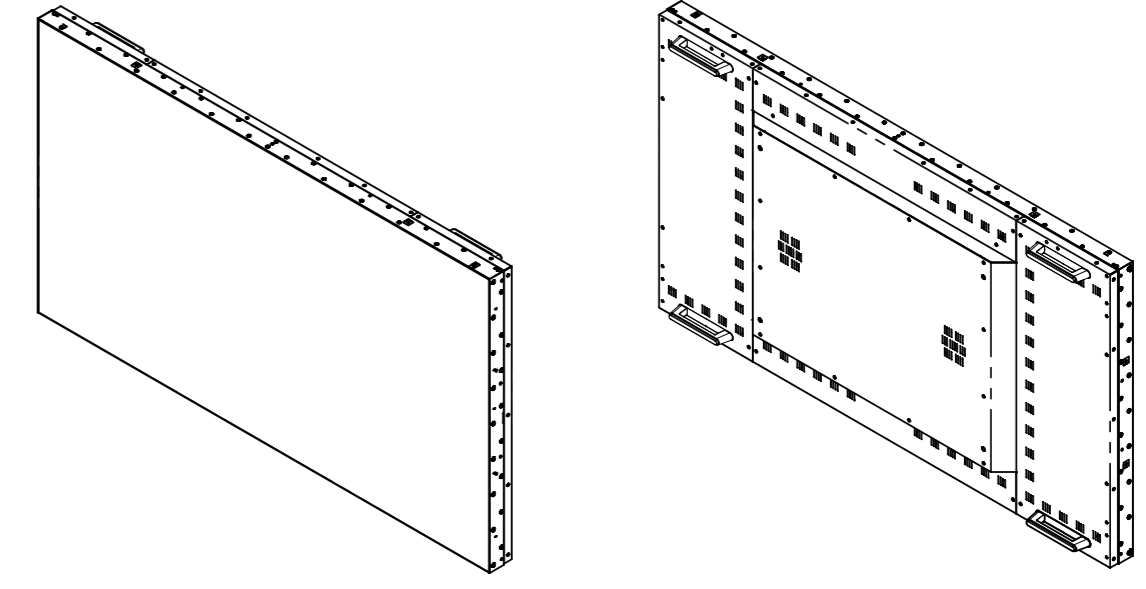
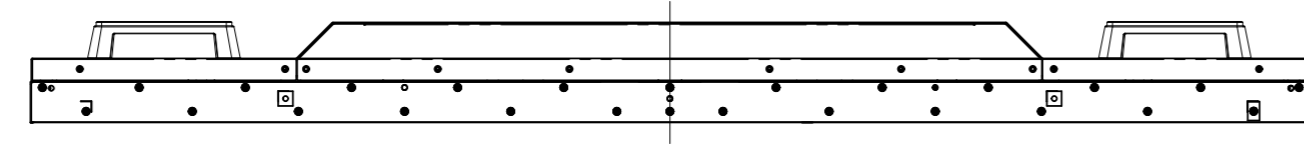


This drawing is the property of HYUNDAI IT CO., LTD. and should not be disclosed to any third party without prior permission of HYUNDAI IT CO., LTD.

A B C D E

REV. NO		REV. HISTORY	LTR	ECO NO	DATE	APPR'L
DWG	PART					
00	00	INITIAL RELEASE	-	-	-	-



- NOTES**
- LCD Panel : 55" UNB
 - Cabinet Material : E.G.I
 - Cabinet Color : Black
 - "J" Location : M4 Tap (2*8 Ea)

DRAWN	PLANNED	CHECKED	APPROVED	UNLESS OTHERWISE SPECIFIED ALL DIMENSION ARE IN MILLIMETERS	ANGLE 3rd.	TITLE : D55LFN(UFN) EXTERIOR VIEW	UNIT : mm
S.H.JANG	S.H.JANG	S.H.JANG	Y.T.KIM		SCALE : 1/10		TYPE : ASSY
"20.12.10	"20.12.10	"20.12.10	"20.12.10	TOLERANCES ARE : LINEAR : X ± 0.2 .X ± 0.1 .XX ± 0.01 ANGLES : ± 0.1° RADII UNLESS NOTED : R 0.3	DWG REV : 00	DWG(PART) NO. D55LFN(UFN)_001	SIZE : A3
HYUNDAI IT CO., LTD.					MODEL NAME (CODE): D55LFN(UFN)		CUSTOMER. HDIT
				FILE NAME : LAYOUT_D55LFN_ZMA4_201210.DWG			