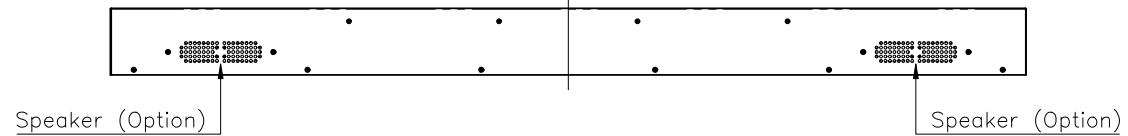
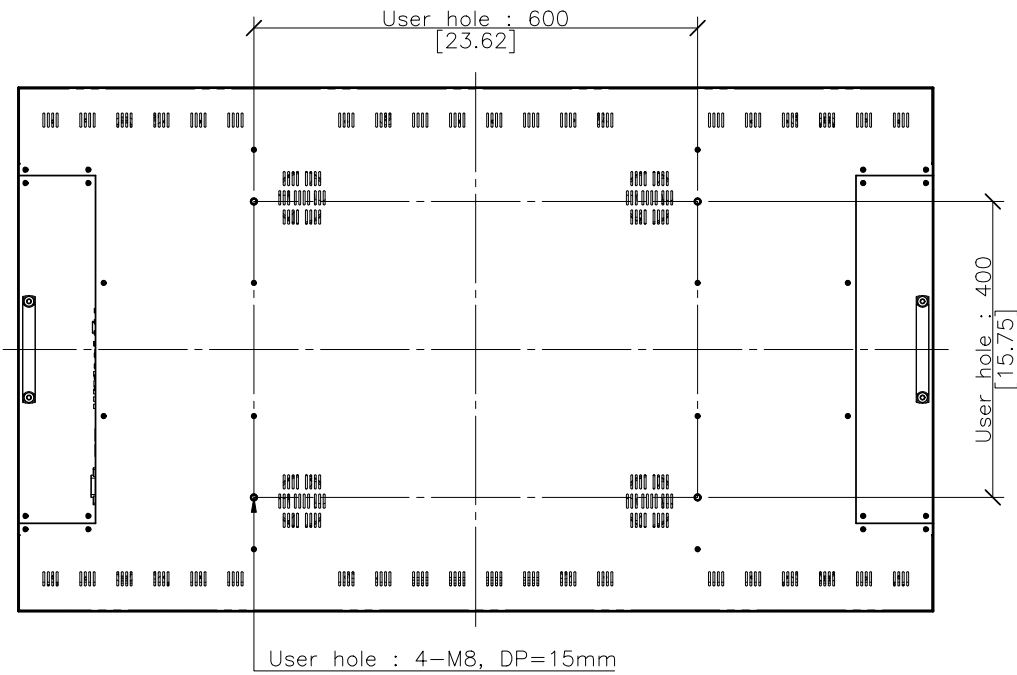
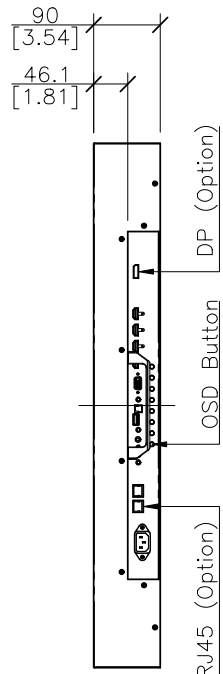
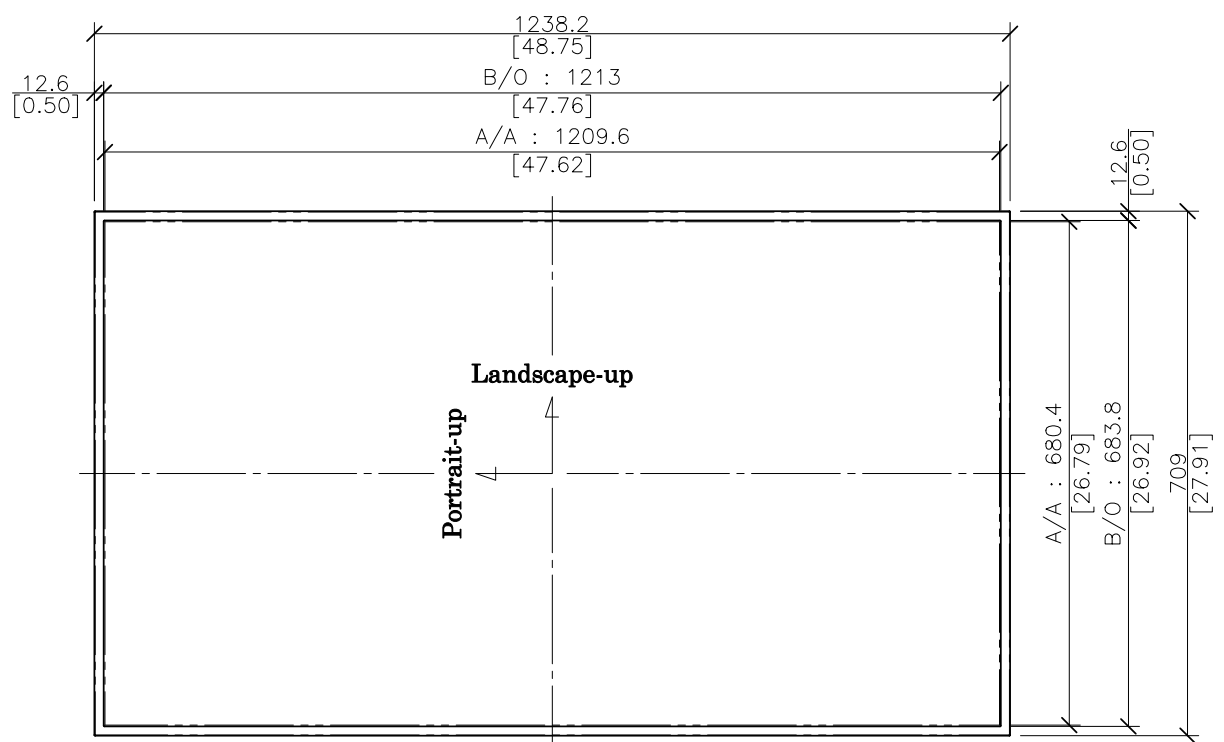
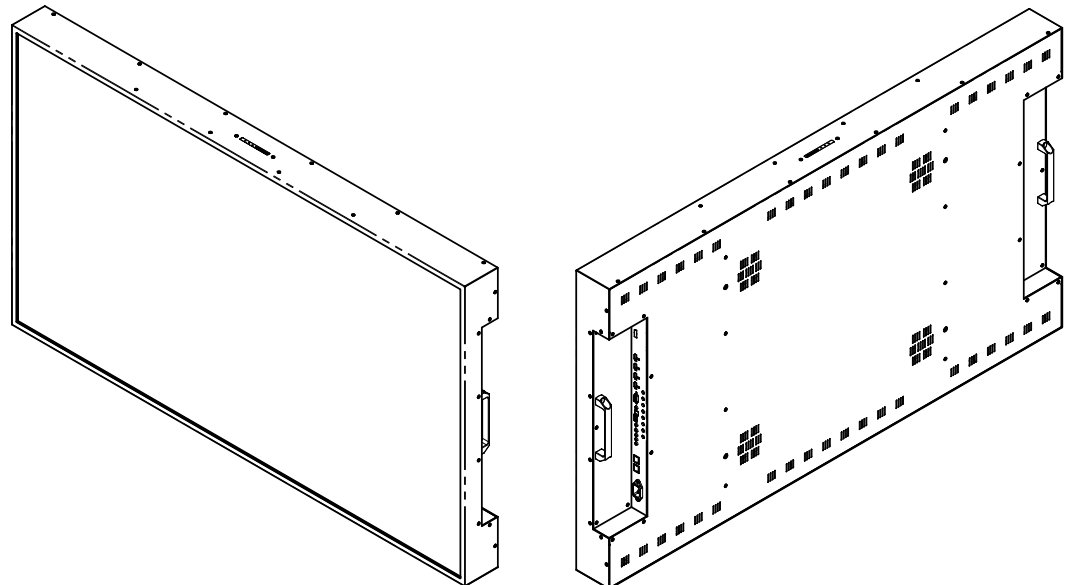
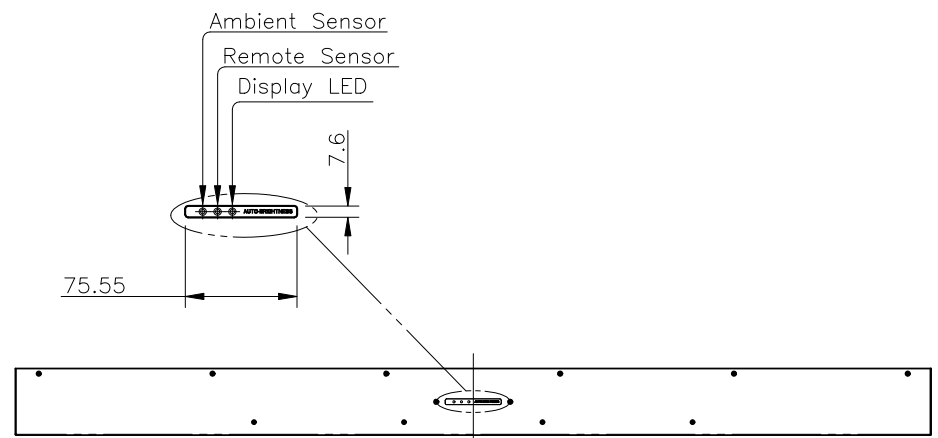


This drawing is the property of HYUNDAI IT CO.,LTD. and should not be disclosed to any third party without prior permission of HYUNDAI IT CO.,LTD..

REV. NO		REV. HISTORY	LTR	ECO NO	DATE	APPR'L
DWG	PART					
00	00	INITIAL RELEASE	-	-	-	-



- NOTES,**
- LCD Panel : 55" (2500nits)
  - Cabinet Color : Black

DRAWN	PLANNED	CHECKED	APPROVED	UNLESS OTHERWISE SPECIFIED ALL DIMENSION ARE IN MILLIMETERS	ANGLE 3rd.	TITLE :	UNIT :
S.W.SEO	S.H.JANG	S.H.JANG	Y.T.KIM	TOLERANCES ARE : LINEAR : X ± 0.2 X ± 0.1 XX ± 0.01 ANGLES : ± 0.1° RADI UNLESS NOTED : R 0.3	SCALE : 1/10		D557MN EXTERIOR VIEW
'23.02.14	'23.02.14	'23.02.14	'23.02.14				
<b>HYUNDAI IT CO., LTD.</b>				MODEL NAME (CODE): D557MN	CUSTOMER: HDIT	DWG REV : 00	SIZE : A3
				FILE NAME : LAYOUT_D557MN_A_230214.DWG		SHT NO : 1/1	
						DWG(PART) NO. D557MN_A01	