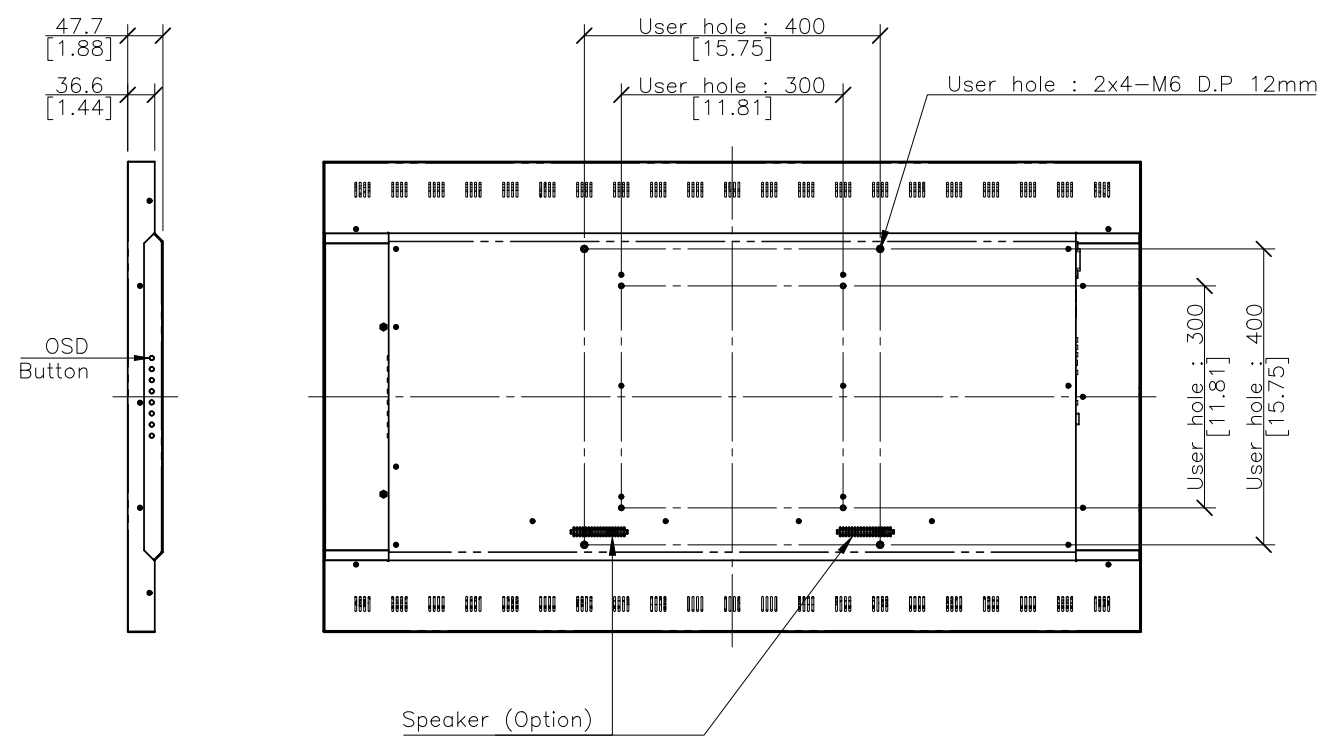
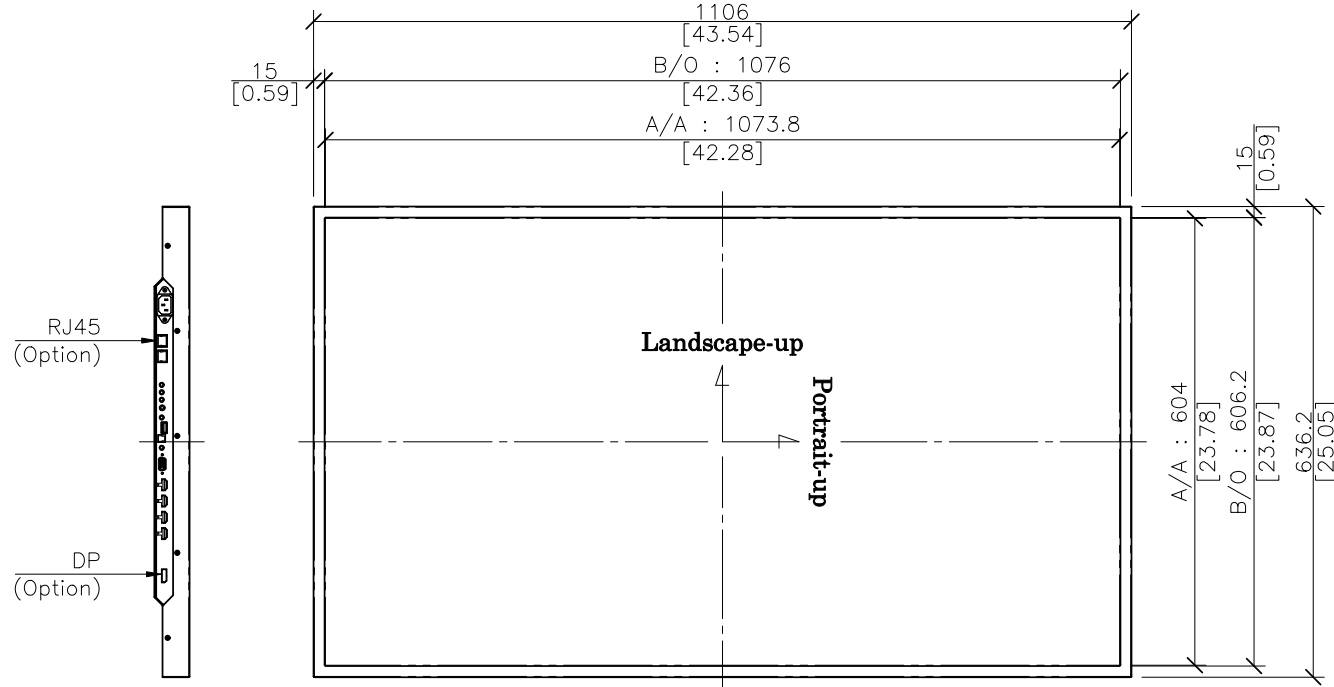
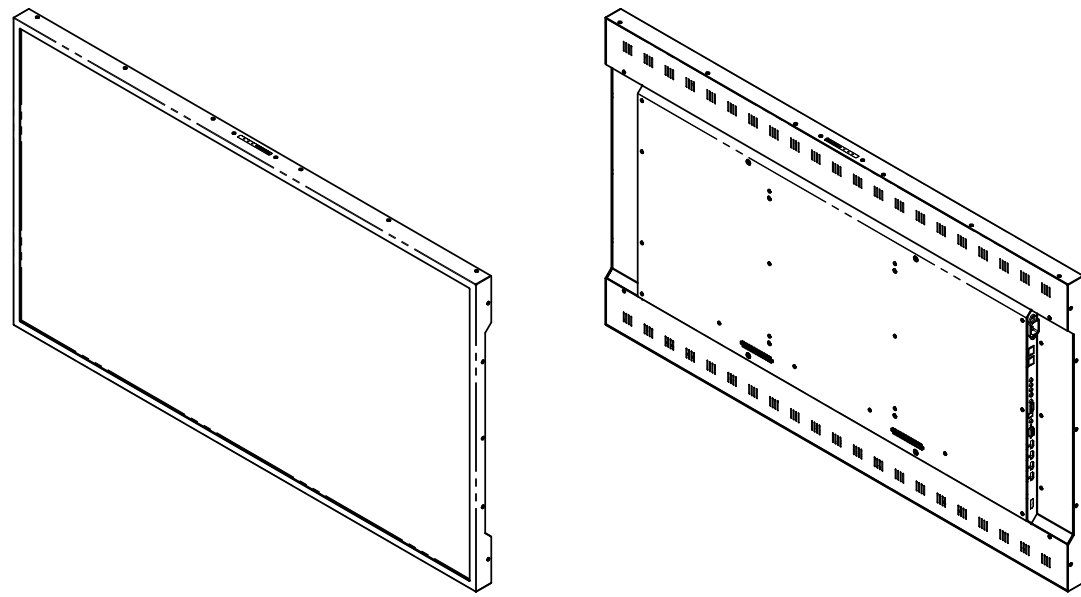
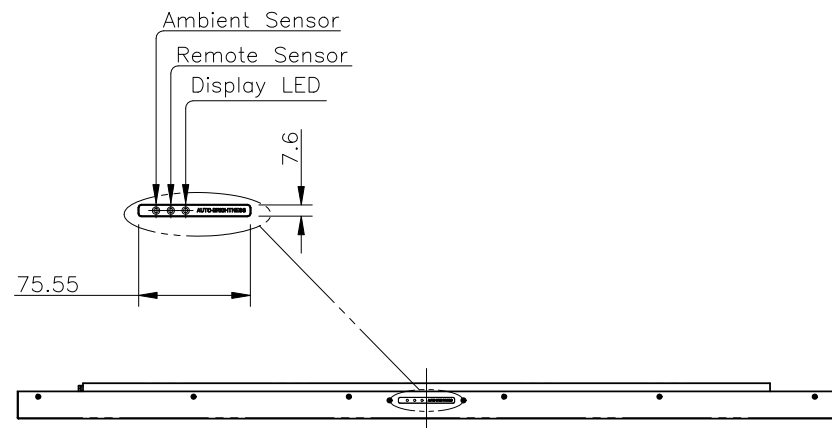


This drawing is the property of HYUNDAI IT CO.,LTD. and should not be disclosed to any third party without prior permission of HYUNDAI IT CO.,LTD..

REV. NO		REV. HISTORY	LTR	ECO NO	DATE	APPR'L
DWG	PART					
00	00	INITIAL RELEASE	-	-	-	-



- NOTES,**
- LCD Panel : 49" LED PANEL
  - Material : E.G.I
  - Color : Black

DRAWN	PLANNED	CHECKED	APPROVED	UNLESS OTHERWISE SPECIFIED ALL DIMENSION ARE IN MILLIMETERS	ANGLE. 3rd.	TITLE : D49XMN EXTERIOR VIEW	UNIT : mm
S.W.SEO	S.H.JANG	S.H.JANG	Y.T.KIM	TOLERANCES ARE : LINEAR : X ± 0.2 X ± 0.1 XX ± 0.01 ANGLES : ± 0.1° RADI UNLESS NOTED : R 0.3	SCALE : 1/10		TYPE : ASSY
'21.08.23	'21.08.23	'21.08.23	'21.08.23	MODEL NAME (CODE): D49XMN	CUSTOMER. HDIT	DWG REV : 00	SIZE : A3
HYUNDAI IT CO., LTD.				FILE NAME : LAYOUT_D49XMN SERIES_210823.DWG	DWG REV : 00	SHT NO : 1/1	DWG(PART) NO. D49XMN_001