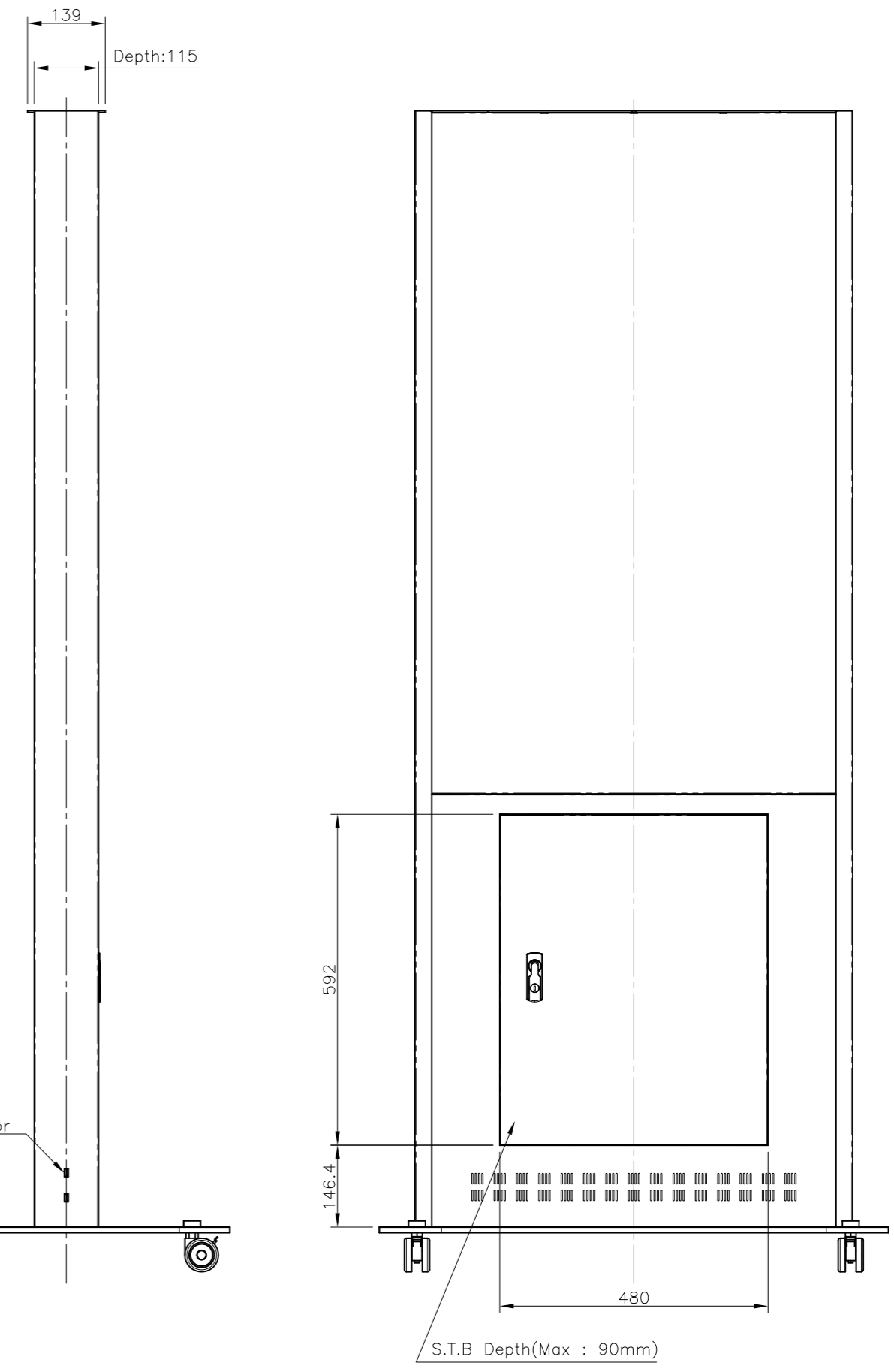
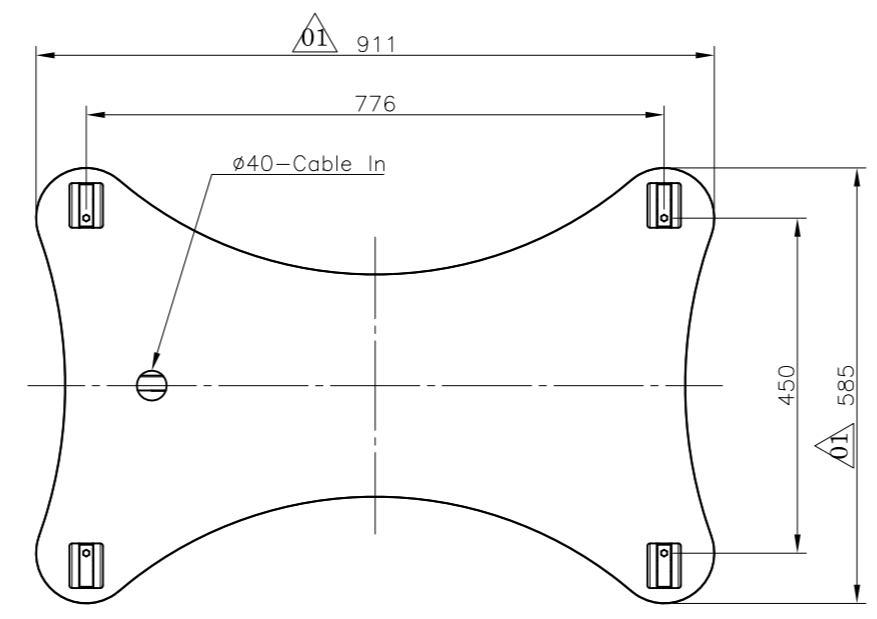
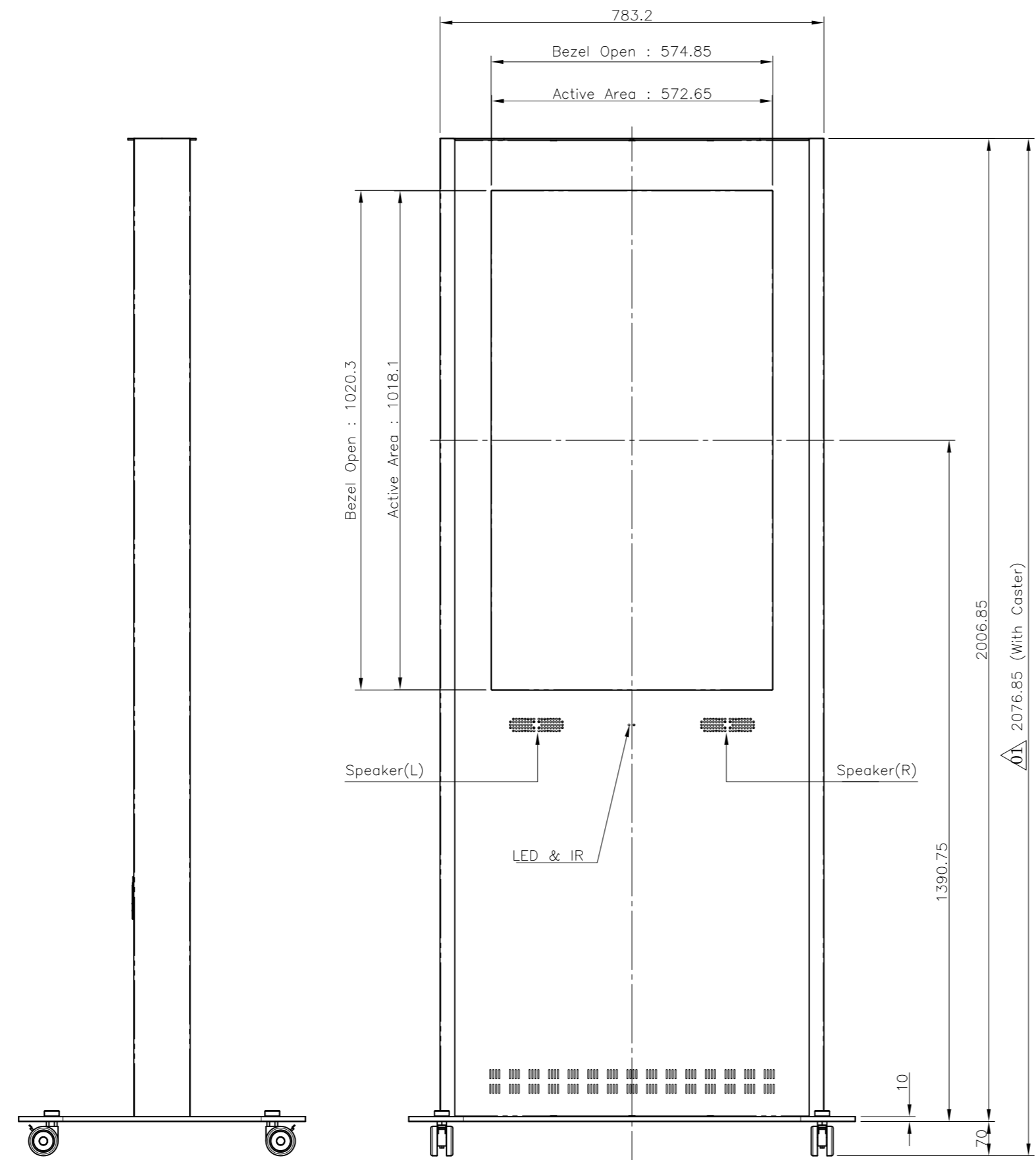
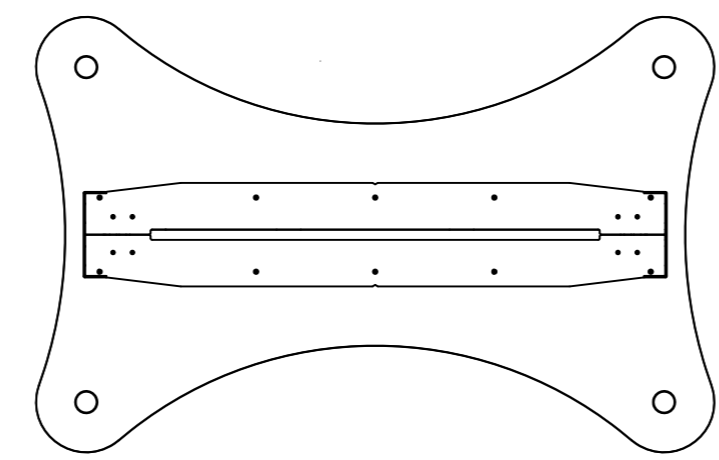
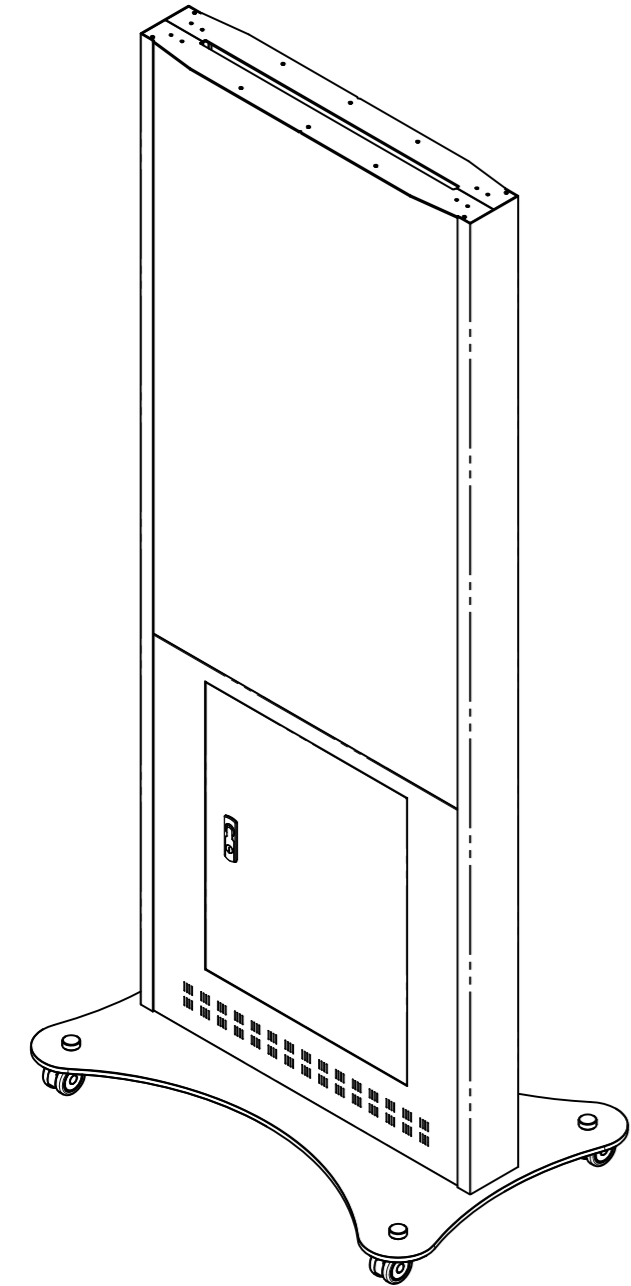
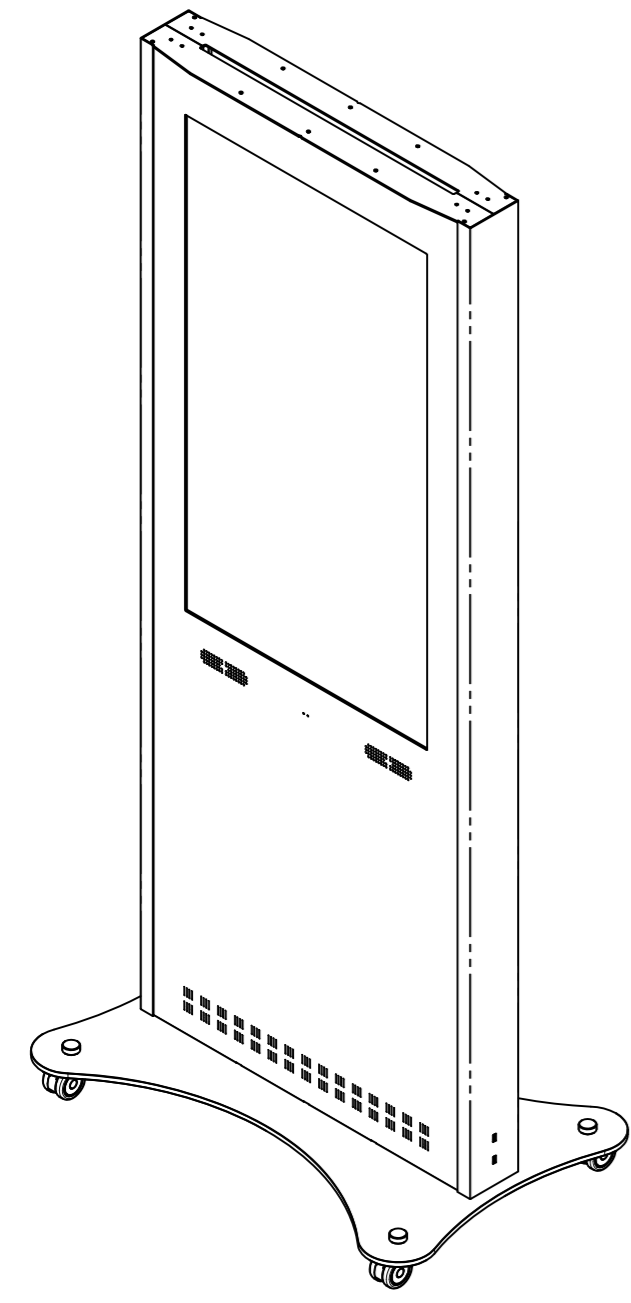


REV. NO		REV. HISTORY	LTR	ECO NO	DATE	APPR'L
DWG	PART					
00	00	INITIAL RELEASE	-	-	-	-
01	01	DIMENSION (D) 630 > 585	$\Delta 1$	01	'20.06.19	'20.06.19
01	01	DIMENSION (W) 956 > 911	$\Delta 1$	01	'20.06.19	'20.06.19
01	01	DIMENSION (H) 2105.8 > 2076.85	$\Delta 1$	01	'20.06.19	'20.06.19



- NOTES,**
- Panel : 46" (Portrait)
 - Cabinet Color : Black & White

DRAWN S.W.SEO 20.06.19	PLANNED S.H.JIANG 20.06.19	CHECKED S.H.JIANG 20.06.19	APPROVED Y.T.KIM 20.06.19	UNLESS OTHERWISE SPECIFIED ALL DIMENSION ARE IN MILLIMETERS TOLERANCES ARE: LINEAR : X ± 0.20 X ± 0.1 XX ± 0.01 ANGLES : $\pm 0.1^\circ$ RADIUS UNLESS NOTED : R 0.3	ANGLE 3rd. SCALE : 1/10	TITLE : D46ESN EXTERIOR VIEW	UNIT : mm TYPE : ASSY
HYUNDAI IT CO., LTD.			MODEL NAME (CODE): D46ESN	CUSTOMER: HDT	DWG REV : 01	DWG(PART) NO. D46ESN_001	SIZE : A2
FILE NAME : LAYOUT_D46ES_SERIES_200521.DWG				SHT NO : 1/1			

This drawing is the property of HDIBT Corp. and should not be disclosed to any third party without prior permission of HDIBT Corp.