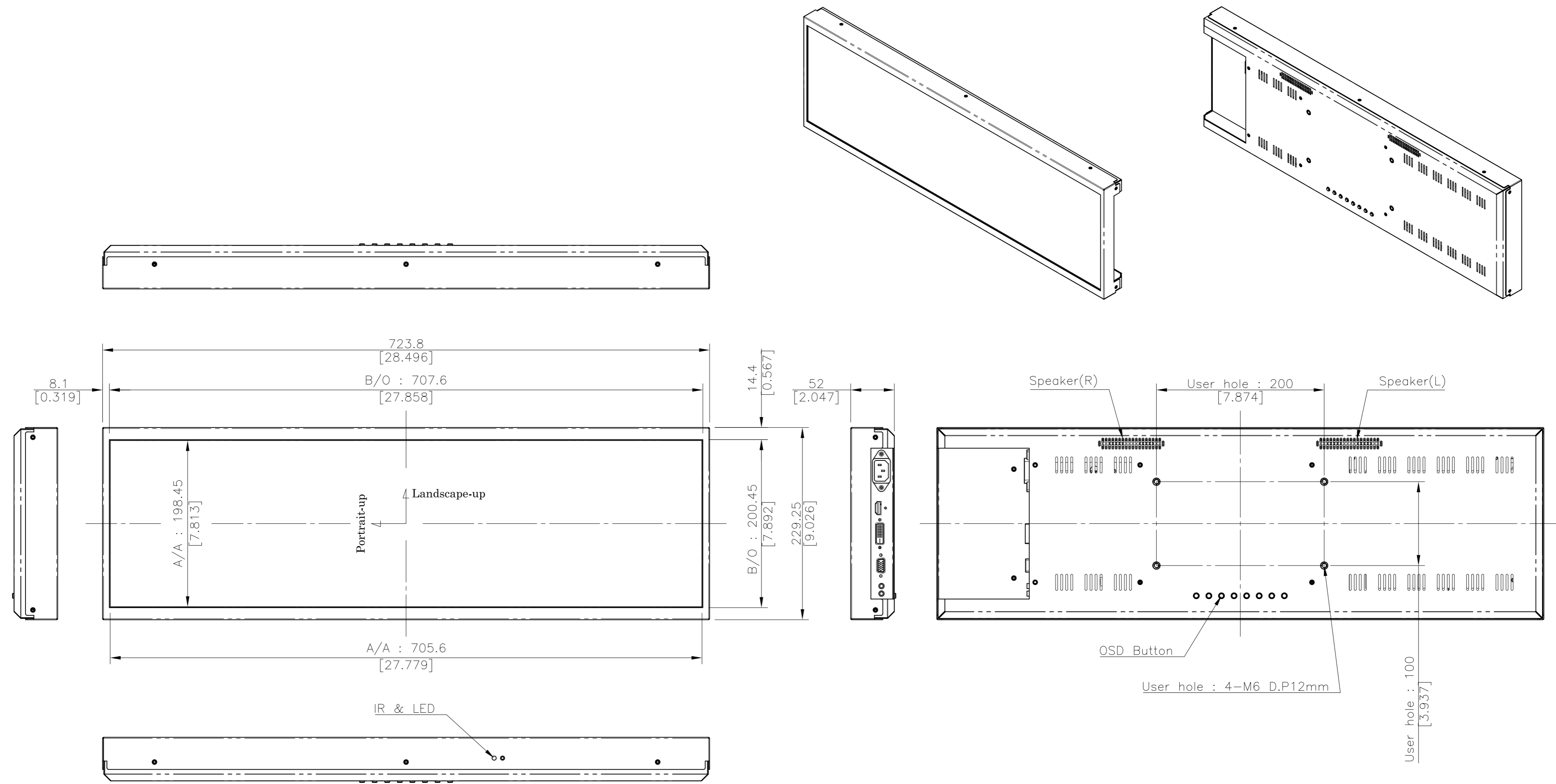


This drawing is the property of HYUNDAI IT Corp. and should not be disclosed to any third party without prior permission of HYUNDAI IT Corp.

REV. NO		REV. HISTORY	LTR	ECO NO	DATE	APPR'L
DWG	PART					
00	00	INITIAL RELEASE	-	-	-	-



- NOTES,**
- LCD Panel : 29" Stretched.
 - Weight : T.B.D Kg
 - Material : E.G.I
 - Cabinet Color : Black

DRAWN	PLANNED	CHECKED	APPROVED	UNLESS OTHERWISE SPECIFIED ALL DIMENSION ARE IN MILLIMETERS	ANGLE 3rd.	TITLE : C29EMC EXTERIOR VIEW	UNIT : mm
S.H.JANG	S.H.JANG	S.H.JANG	Y.T.KIM		SCALE : 1/5		TYPE : ASSY
'17.04.25	'17.04.25	'17.04.25	'17.04.25	TOLERANCES ARE : LINEAR : X ± 0.2 .X ± 0.1 .XX ± 0.01 ANGLES : ± 0.1° RADI UNLESS NOTED : R 0.3	CUSTOMER. HDIT	DWG REV : 00	SIZE : A3
HYUNDAI IT CO., LTD.							
				FILE NAME : LAYOUT_C29EM_170425.DWG		SHT NO : 1/1	