

OUTDOOR DIGITAL SIGNAGE

LARGE SIZE FORMAT APPLIED SCREEN

CLASS	MODEL
-------	-------

55" Q557MSI

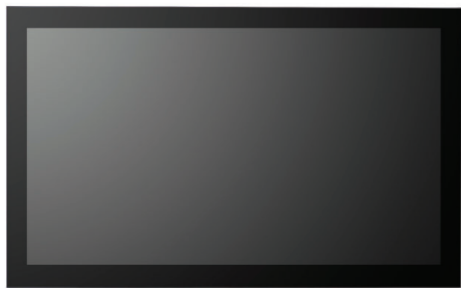
KEY FEATURES

- Special DOOH LCD Panel
- USB Plug & Play (JPG & MP4)
- All Weather Capable
- Sunlight Readable
- Air-Looping System
- Auto Brightness Control
- Easy to Service with Front Door Open
- Cabinet Housing Color : Black (RAL9005)
- Capacitive Touch applied
- Slim & Light.

HYUNDAI IT CO., LTD.

Broadcast your branding with HYUNDAI IT Digital Signage!

HYUNDAI IT's outdoor displays represent state-of-the-art display technology for any outdoor environment. Meeting the highest industrial standards they are provide a high degree of operational reliability and superior quality image, which are essential preconditions for attracting the attention of your target audience.



HYUNDAI IT CO., LTD.

SPECIFICATIONS

Model	Q557MSI	
Screen Size (diagonal)	55"	
Active Display Area (inch mm)	47.62 x 26.787 1209.6 x 680.4	
Resolution	1920 x 1080	
Aspect Ratio	16 : 9	
Display Colors	1.07B	
Brightness (cd/m²; typ.)	2,500	
Contrast Ratio	4,000:1	
Response Time (ms; GTG)	8	
Viewing Angle	178°/178°	
Lifetime (hours)	60,000	
Backlight type	LED	
Response Time (ms)	50 - 100	
Interface	USB 2.0	
Available Touch Point	1 - 10	
Touch Intensity	Permanent (protected by glass)	
Detection Method	PCT	
Input	1xVGA 3xHDMI 1xPC audio 1xRS232C 1x IR 1xUSB(Media Player)	
Media Player (USB)	Movie	MPEG-2 MPEG-4
	Photo	JPEG PNG BMP
	Music	MP3
Operating Voltage	100 - 240VAC	
Consumption (typ.)	500W (Without PC)	
Consumption per nits (max.)	0.2W	
Heating Unit	Typ: 600W (Max: 850W)	
Speaker	10W x 2	
Auto Cooling System	Yes	
Auto Heating System	Yes	
Tempered Glass	8mm	
Anti Reflection Coating	Yes	
Auto Brightness Sensor	Yes	
Temperature (°C)	-30 ~ 50	
Humidity (%)	20 - 90	
Storage (°C)	-40 ~ 60	
OSD Language	12 Lang	
Ingress Protection	IP65	
Dimension Set (W x H x D), inch mm	52.52 x 32.28 x 7.20 1334 x 820 x 183 (with Wall Frame)	
Weight Set (lb kg)	242.51 110 (TBD)	
Mounting	Wall mounting (Built-in)	
Computer	Option	

OUTDOOR DIGITAL SIGNAGE

MODEL	CLASS
Q557MSI	55"

FEATURES

All Weather Capable

Equipped with an intelligent cooling and heating system, HYUNDAI IT's Outdoor Displays are well suited for withstanding any weather conditions from -30°C to +50°C.

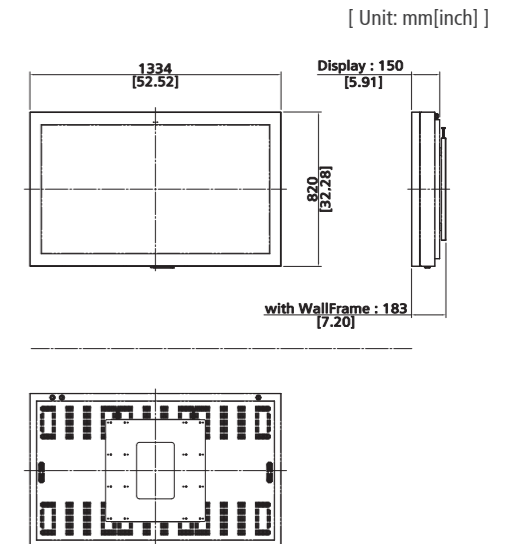
Sunlight Readable

HYUNDAI IT provides special displays which are based on the Optical Bonding for installatons in environment with the birghtest lightning conditions. Make your messages and images clear and readable under even bright sunlight.

Cost Effective Media Player

HYUNDAI IT's display serves in-built media player enables to play various range of content including video, images and photos. Thanks to this solution, no need for an additional media player for cost and space efficiency.

DIMENSIONS



Specifications and design are subject to change without notice. See our website for detailed information.

UPDATE: FEB. 2023

HEAD OFFICE - HYUNDAI IT CO., LTD.
5F, 36, Sangil-ro 10-gil, Gangdong-gu, Seoul, 05288 Korea
Tel. +82 70 7008 0151 E-mail: ssoh@hyundaiit.com
www.hyundaiit.com

HYUNDAI IT AMERICA TECH CORP
2033 Gateway Place 5th Floor San Jose, CA 95110, USA
Tel. +1 408 627 4729 email : sales@hyundaita.com
www.hyundaiit.com

HYUNDAI IBT GMBH
Carl-Zeiss-Str. 9 / 55129 Mainz, Germany
Tel. +49(0) 6131 275 5350 email : info@hyundaiit.eu
www.hyundaiit.eu