

INDOOR DIGITAL SIGNAGE

VIDEO WALL TYPE SCREEN

CLASS

MODEL

55" M55RFD

KEY FEATURES

- Razor Narrow Bezel, 0.88mm B to B
- Power Consumption Reduced at 40% Compared to Normal Display
- Built in Video Wall Function
- Portrait / Landscape Orientation
- High Connectivity
- UHD Resolution Daisy Chain

HYUNDAI IT CO., LTD.

Broadcast your branding with HYUNDAI IT Digital Signage!

According to the advanced product design, HYUNDAI IT Digital Signage Display meets necessary requirements for various digital signage solutions. LED BLU products of HYUNDAI IT can be up to 40 percent more energy saving compare to normal display, and environmentally friendly for the Eco-display.



HYUNDAI IT CO., LTD.

SPECIFICATIONS

Model		M55RFD
Panel	Screen Size (diagonal)	55"
	Active Display Area (in/mm)	47.6220 x 26.785 1209.6 x 680.34
	Resolution	1920 x 1080
	Aspect Ratio	16 : 9
	Display Colors	1.06B
	Brightness (cd/m²; typ.)	700
	Contrast Ratio	1100 : 1
	Response Time (ms; GTG)	8
	Viewing Angle	178° / 178°
	Lifetime (hours)	60,000
Backlight type	LED	
Resolution	Monitor	1920x1080 (max UHD)
Input		1xDP 1xRJ45 1xVGA 1xHDMI 1xDVI 1xUSB(F/W Update) 1xRS232C 1xIR
Output		1xDP (1xIR / 1xRS232 (Via DP Cable)), 1xRS232
Power	Input Voltage	100 – 240V AC
	Power consumption	210W
Features	Multi-screen function (Loop)	DP(HDMI) RS232 IR DVI
	Cooling System	Yes
	Auto Power Control	Yes
Operation	Temperature (°C)	0 - 40
	Humidity (%)	20 - 80
Dimension	Set Size : W x H x D (inch mm)	47.652 x 26.816 x 3.346 1210.5 x 681.2 x 85
	Bezel to Bezel Size (in mm)	0.034645669 0.88
	Wall Mounting hole : WxH (mm)	600 x 400 (M8)
Weight	Set (lb kg)	42.99 19.5

VIDEO WALL TYPE SCREEN

MODEL

CLASS

M55RFD 55"

FEATURES

Auto color calibration

In order to save time of installation and maintenance experienced by previous extra camera solution, HYUNDAI IT's auto color calibration makes adjustments to automatically ensure uniformity across all video wall displays embedded with calibration chipset. This new color calibration procedure enables to keep consistency of video wall display's operational lifespan.

Razor Narrow Bezel

Combined with the cutting edge function, razor narrow bezel design ensures a maximum screen area with unified images and a minimum of viewable interruptions.

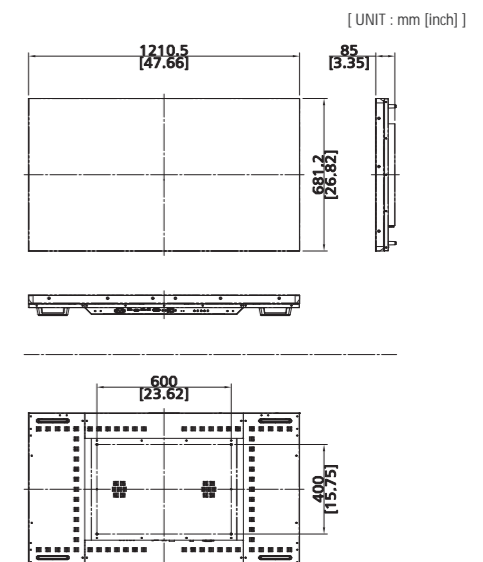
Easy operating OSD menu, Remote control

In order to setup a multi display wall, the single units are linked by a daisy chain connection over DP. The configuration of each display can be easily set-up over the on-screen menu or the RS232C interface.

4K Daisy Chain

No more peripheral devices needed to configure 4K native video contents, HYUNDAI IT's display enables high-end 4K @60Hz video contents simply loop through the daisy chain without image distortion.

DIMENSIONS



Specifications and design are subject to change without notice. See our website for detailed information.

UPDATE: FEB. 2023

HEAD OFFICE - HYUNDAI IT CO., LTD.
5F, 36, Sangil-ro 10-gil, Gangdong-gu, Seoul, 05288 Korea
Tel. +82 70 7008 0151 E-mail: ssoh@hyundaiit.com
www.hyundaiit.com

HYUNDAI IT AMERICA TECH CORP
2033 Gateway Place 5th Floor San Jose, CA 95110, USA
Tel. +1 408 627 4729 email : sales@hyundaita.com
www.hyundaiit.com

HYUNDAI IBT GMBH
Carl-Zeiss-Str. 9 / 55129 Mainz, Germany
Tel. +49(0) 6131 275 5350 email : info@hyundaiit.eu
www.hyundaiit.eu