

# INDOOR DIGITAL SIGNAGE

## VIDEO WALL TYPE SCREEN

CLASS

MODEL

55"

M55QFD

### KEY FEATURES

- Razor Narrow Bezel, 0.88mm B to B
- Power Consumption Reduced at 40% Compared to Normal Display
- Built in Video Wall Function
- Portrait / Landscape Orientation
- High Connectivity
- UHD Resolution Daisy Chain

# HYUNDAI IT CO., LTD.

## Broadcast your branding with HYUNDAI IT Digital Signage!

According to the advanced product design, HYUNDAI IT Digital Signage Display meets necessary requirements for various digital signage solutions. LED BLU products of HYUNDAI IT can be up to 40 percent more energy saving compare to normal display, and environmentally friendly for the Eco-display.



# HYUNDAI IT CO., LTD.

### SPECIFICATIONS

| Model          |                                  | M55QFD  |
|----------------|----------------------------------|---|
| Panel          | Screen Size (diagonal)           | 55"   |
|                | Active Display Area (in/mm)      | 47.6220 x 26.785   1209.6 x 680.34  |
|                | Resolution                       | 1920 x 1080   |
|                | Aspect Ratio                     | 16 : 9  |
|                | Display Colors                   | 1.06B   |
|                | Brightness (cd/m²; typ.)         | 500   |
|                | Contrast Ratio                   | 1100 : 1  |
|                | Response Time (ms; GTG)          | 8   |
|                | Viewing Angle                    | 178° / 178°   |
|                | Lifetime (hours)                 | 60,000  |
| Backlight type | LED                              |   |
| Resolution     | Monitor                          | 1920x1080 (max UHD)   |
| Input          |                                  | 1xDP   1xRJ45   1xVGA   1xHDMI   1xDVI<br>1xUSB(F/W Update)   1xRS232C   1xIR |
| Output         |                                  | 1xDP ( 1xIR / 1xRS232 (Via DP Cable)), 1xRS232                                |
| Power          | Input Voltage                    | 100 – 240V AC   |
|                | Power consumption                | 210W  |
| Features       | Multi-screen function (Loop)     | DP(HDMI)   RS232   IR   DVI   |
|                | Cooling System                   | Yes   |
|                | Auto Power Control               | Yes   |
| Operation      | Temperature (°C)                 | 0 - 40  |
|                | Humidity (%)                     | 20 - 80   |
| Dimension      | Set Size : W x H x D (inch   mm) | 47.652 x 26.816 x 3.346   1210.5 x 681.2 x 85                                 |
|                | Bezel to Bezel Size (in   mm)    | 0.034645669   0.88  |
|                | Wall Mounting hole : WxH (mm)    | 600 x 400 (M8)  |
| Weight         | Set (lb   kg)                    | 42.99   19.5  |

# VIDEO WALL TYPE SCREEN

MODEL

CLASS

M55QFD

55"

### FEATURES

#### Auto color calibration

In order to save time of installation and maintenance experienced by previous extra camera solution, HYUNDAI IT's auto color calibration makes adjustments to automatically ensure uniformity across all video wall displays embedded with calibration chipset. This new color calibration procedure enables to keep consistency of video wall display's operational lifespan.

#### Razor Narrow Bezel

Combined with the cutting edge function, razor narrow bezel design ensures a maximum screen area with unified images and a minimum of viewable interruptions.

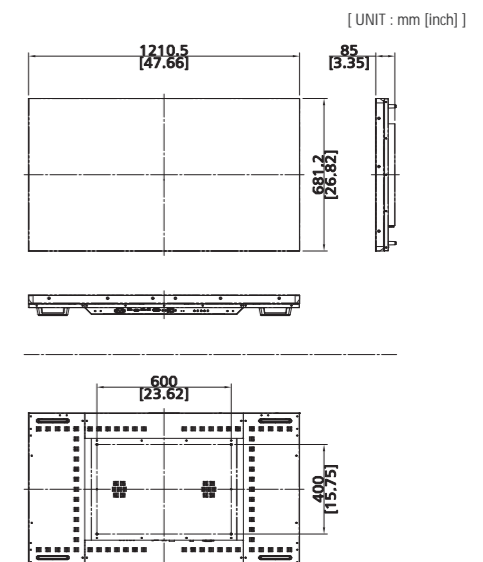
#### Easy operating OSD menu, Remote control

In order to setup a multi display wall, the single units are linked by a daisy chain connection over DP. The configuration of each display can be easily set-up over the on-screen menu or the RS232C interface.

#### 4K Daisy Chain

No more peripheral devices needed to configure 4K native video contents, HYUNDAI IT's display enables high-end 4K @60Hz video contents simply loop through the daisy chain without image distortion.

### DIMENSIONS



Specifications and design are subject to change without notice. See our website for detailed information.

UPDATE: FEB. 2023

**HEAD OFFICE - HYUNDAI IT CO., LTD.**  
5F, 36, Sangil-ro 10-gil, Gangdong-gu, Seoul, 05288 Korea  
Tel. +82 70 7008 0151 E-mail: ssoh@hyundaiit.com  
www.hyundaiit.com

**HYUNDAI IT AMERICA TECH CORP**  
2033 Gateway Place 5th Floor San Jose, CA 95110, USA  
Tel. +1 408 627 4729 email : sales@hyundaita.com  
www.hyundaiit.com

**HYUNDAI IBT GMBH**  
Carl-Zeiss-Str. 9 / 55129 Mainz, Germany  
Tel. +49(0) 6131 275 5350 email : info@hyundaiit.eu  
www.hyundaiit.eu