

OUTDOOR DIGITAL SIGNAGE

LARGE SIZE FORMAT APPLIED SCREEN

CLASS	MODEL
-------	-------

55" H557MSV

KEY FEATURES

- Special DOOH LCD Panel
- USB Plug & Play (JPG & MP4)
- All Weather Capable
- Sunlight Readable
- Anti-Vandal Protection
- Air-Looping System
- Auto Brightness Control
- Easy to Service with Front Door Open
- Cabinet Housing Color : RAL7040

HYUNDAI IT CO., LTD.

Broadcast your branding with Hyundai Digital Signage!

HYUNDAI IT's outdoor displays represent state-of-the-art display technology for any outdoor environment. Meeting the highest industrial standards they are provide a high degree of operational reliability and superior quality image, which are essential preconditions for attracting the attention of your target audience.



HYUNDAI IT CO., LTD.

SPECIFICATIONS

Model		H557MSV	
Panel	Screen Size (diagonal)	55"	
	Active Display Area (inch mm)	47.62 x 26.787 1209.6 x 680.4	
	Resolution	1920 x 1080	
	Aspect Ratio	16 : 9	
	Display Colors	1.07B	
	Brightness (cd/m ² ; typ.)	2,500	
	Contrast Ratio	4,000:1	
	Response Time (ms; GTG)	8	
	Viewing Angle	178°/178°	
	Lifetime (hours)	60,000	
Backlight type		LED	
Input		1xVGA 3xHDMI 1xPC audio 1xRS232C 1x IR 1xUSB(Media Player)	
Media Player (USB)	Movie	MPEG-2 MPEG-4	
	Photo	JPEG PNG BMP	
	Music	MP3	
Power	Operating Voltage	100 – 240VAC	
	Consumption (typ.)	500W (Without PC)	
	Consumption per nits (max.)	0.2W	
	Heating Unit	Typ: 600W (Max: 850W)	
Features	Speaker	10W x 2	
	Auto Cooling System	Yes	
	Auto Heating System	Yes	
	Anti-Vandal Glass	8mm	
	Anti Reflection Coating	Yes	
	Auto Brightness Sensor	Yes	
	Temperature (°C)		-30 ~ 50
Humidity (%)		20 - 90	
Operation	Storage (°C)		-40 ~ 60
	OSD Language		12 Lang
Ingress Protection Code(IP)		IP65	
Dimension	Set (W x H x D), inch mm	55.24 x 34.46 x 8.44 1403.2 X 875.2 x 214.5 (with Wall Frame)	
Weight	Set (lb kg)	264.6 120 (TBD)	
Mounting	Wall mount (Built in)		
Computer	Option		

Specifications and design are subject to change without notice. See our website for detailed information.

HEAD OFFICE - HYUNDAI IT CO., LTD.
5F, 36, Sangil-ro 10-gil, Gangdong-gu, Seoul, 05288 Korea
Tel. +82 70 7008 0151 E-mail: ssoh@hyundaiit.com
www.hyundaiit.com

HYUNDAI IT AMERICA TECH CORP
2033 Gateway Place 5th Floor San Jose, CA 95110, USA
Tel. +1 408 627 4729 email : sales@hyundaita.com
www.hyundaiit.com

OUTDOOR DIGITAL SIGNAGE

MODEL	CLASS
H557MSV	55"

FEATURES

All Weather Capable

Equipped with an intelligent cooling and heating system, HYUNDAI IT's Outdoor Displays are well suited for withstanding any weather conditions from -30°C to +50°C.

Sunlight Readable

HYUNDAI IT provides special displays which are based on the Optical Bonding for installatons in environment with the birghtest lightning conditions. Make your messages and images clear and readable under even bright sunlight.

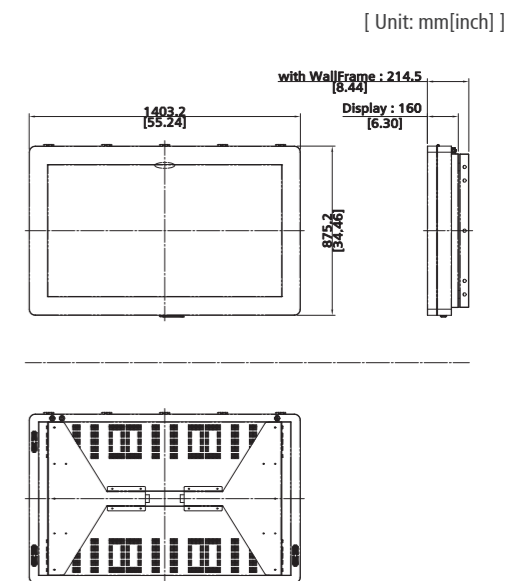
Anti-Vandal Protection

Thanks to a special tempered security glass. HYUNDAI IT's Outdoor Displays are protected against any vandalism attacks using Anti-Vandal glass bonding technique improving in durability from outside damage.

Cost Effective Media Player

HYUNDAI IT's display serves in-built media player enables to play various range of content including video, images and photos. Thanks to this solution, no need for an additional media player for cost and space efficiency.

DIMENSIONS



UPDATE: FEB. 2023

HYUNDAI IBT GMBH
Carl-Zeiss-Str. 9 / 55129 Mainz, Germany
Tel. +49(0) 6131 275 5350 email : info@hyundaiit.eu
www.hyundaiit.eu