

INDOOR DIGITAL SIGNAGE

LARGE SIZE FORMAT APPLIED SCREEN

CLASS

MODEL

49" D49XMN

KEY FEATURES

- Support HDMI 2.0 & VGA (1080p)
- USB Plug & Play (JPG & MP4)
- Power Consumption Reduced at 40% Compared to Normal Display
- Portrait / Landscape Orientation
- High Connectivity
- High Fidelity Audio Output (SPDIF)
- Industrial grade components with 24/7 operation reliability



HYUNDAI

Broadcast your branding with HYUNDAI IT Digital Signage!

Thanks to the advanced product design, HYUNDAI IT Digital Signage Display meets requirements for various digital signage solutions. Not only take advantage from slim and simple design, but also think more about our future environment, saving energy up to 40 percent. LED technologies bring more than just expected.



HYUNDAI

SPECIFICATIONS

Model		D49XMN
Panel	Screen Size (diagonal)	49"
	Active Display Area (inch / mm)	42.28 x 23.78 1073.80 x 604.00
	Resolution	3840 x 2160
	Aspect Ratio	16 : 9
	Display Colors	1.07B
	Brightness (cd/m ² ; typ.)	500
	Contrast Ratio	1100 : 1
	Response Time (ms; GTG)	8
	Viewing Angle	178°/178°
	Lifetime (hours)	30,000 (min)
Resolution	Monitor	3840 x 2160
	Backlight type	LED
Input		1xVGA 3xHDMI 1xPC Audio 1xRS232C 1xUSB(MMP) 1xIR 1xDP(Optional) 1xRJ45(Optional)
Media Player (USB)	Movie	MPEG-2 MPEG-4
	Photo	JPEG PNG BMP
	Music	MP3
Output		1xHDMI 1xIR 1xRS232C 1xSPDIF Audio-Line Out Speaker(Optional)
Power	Input Voltage	100 – 240V AC
	Power consumption	100 W
Features	Auto Power Control	Yes
	Auto Brightness Sensor	Yes
Operation	Temperature (°C)	0 - 40
	Humidity (%)	20 - 80
	OSD Language	12 Lang
Dimension	Set Size : W x H x D (inch mm)	43.54 x 25.05 x 1.88 1106 x 636.2 x 47.7
	Bezel Size : U/D/L/R (inch mm)	0.59 / 0.59 / 0.59 / 0.59 15 / 15 / 15 / 15
	Wall Mounting hole : WxH (mm)	300 x 300 / 400 x 400 (M6)
Weight	Set (lb kg)	46.30 21

Specifications and design are subject to change without notice. See our website for detailed information.

HEAD OFFICE - HYUNDAI IT CO., LTD.
5F, 36, Sangil-ro 10-gil, Gangdong-gu, Seoul, 05288 Korea
Tel. +82 70 7008 0151 E-mail: ssoh@hyundaiit.com
www.hyundaiit.com

HYUNDAI IT AMERICA TECH CORP
2033 Gateway Place 5th Floor San Jose, CA 95110, USA
Tel. +1 408 627 4729 email : sales@hyundaita.com
www.hyundaiit.com

HYUNDAI IBT GMBH
Carl-Zeiss-Str. 9 / 55129 Mainz, Germany
Tel. +49(0) 6131 275 5350 email : info@hyundaiit.eu
www.hyundaiit.eu

LARGE SIZE FORMAT APPLIED SCREEN

MODEL

CLASS

D49XMN 49"

FEATURES

Special Out-Of-Home LCD Panel

By using commercial grade LCD panels for Out-Of-Home applications, HYUNDAI IT Digital Signage display can provide higher brightness and contrast than standard LCD TV panels. This guarantees longer working time, deliver clear and bright image contents in the portrait or landscape format without any loss of quality.

LED Backlight

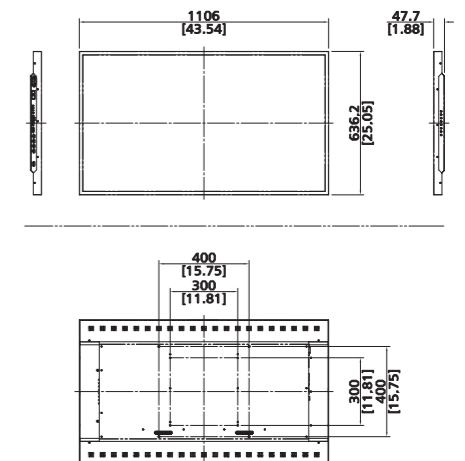
HYUNDAI IT's public displays with LED backlight bring the advantage of up to 40% lower power consumption, compared to displays with CCFL backlight.

Cost Effective Media Player

HYUNDAI IT's display serves in-built media player enables to play various range of content including video, images and photos. Thanks to this solution, no need for an additional media player for cost and space efficiency.

DIMENSIONS

[Unit: mm[inch]]



UPDATE: NOV. 2021